



Submittal Sheet

Aquatic products may be specified as Lasco Bathware.

1603BFSBMA

521 CMR Compliant*

CUSTOMER: _____

JOB NAME: _____

PO #: _____

QUOTE #: _____ QUANTITY: _____

SHIP TO: _____

_____/_____/_____
PLUMBING CONTRACTOR APPROVAL DATE

_____/_____/_____
GENERAL CONTRACTOR APPROVAL DATE

_____/_____/_____
ENGINEER APPROVAL DATE

_____/_____/_____
ARCHITECT APPROVAL DATE

IMPORTANT: ADA compliant showers with NO interior threshold will have water escape onto the bathroom floor. Aquatic highly recommends you take the following precautions:

1. Install only the minimum number of ADA units without an interior threshold required for each job. If possible install Aquatic's accessible models that have a 1/2" interior threshold to reduce the amount of water that escapes from the shower.
2. When installing units with NO interior threshold, install a FLOOR DRAIN to control the water that escapes onto the bathroom floor.
3. Depending on your application, you may choose to install Aquatic's vinyl flexible dam or removable threshold, which helps better retain water within the shower. However, these items may not necessarily meet ADA or other code requirements. Always confirm code compliance with your local building authority.

STANDARD FEATURES

- Code compliant when fully equipped and installed according to guidelines
- Pre-leveled base
- Barrier-free design
- Center drain location
- Slip resistant, textured bottom [ASTM F-462]

CONFIGURATION

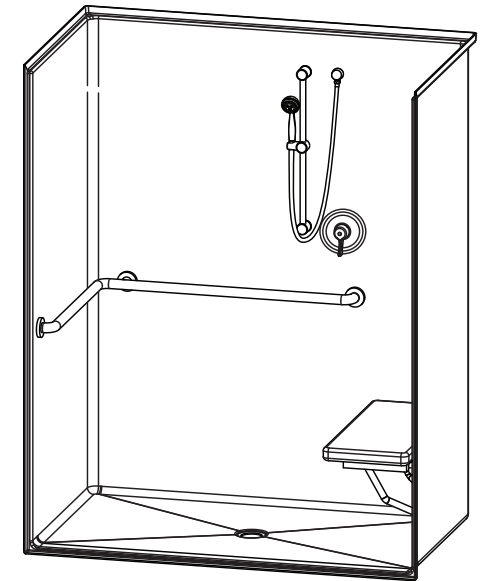
- Fully equipped — 521 CMR*
Includes etched L-shaped grab bar, rectangular fold-up seat, pressure balancing mixing valve and hand-held shower assembly per 521 CMR guidelines

ADDITIONAL OPTIONS

- Etched horizontal L-shaped grab bar
 - Rectangular fold-up cushioned seat LH RH
 - Hand-held shower assembly with 36" slide bar and 60" hose
 - Pressure balancing mixing valve
 - Soap dish
 - Curtain rod (Not ADA compliant)
 - Shower curtain
 - Vinyl flexible dam
 - Removable threshold
 - Brass drain
- Colors:
- Standard White
 - Upgraded Almond Biscuit Bone
 - Other (contact customer service for custom color options)
- Additional accessories:

For pricing of units and additional options, reference the Aquatic Price Book.

*This configuration may not be compliant in all applications.
Call customer service to confirm MA code compliance.



- Int. Dim. 60 W x 34 D x 75 5/8 H
- Ext. Dim. 62 W x 36 1/4 D x 77 1/4 H
- Skirt Ht. 3/4" dam, 1/2" interior threshold
- Packaged Wt. 212 lbs. gross
- Material Gelcoat
- Warranty AcrylX™ Finished Products — Lifetime Limited (30 year commercial)

inches

To complete your order, this document must be signed and faxed to the Aquatic Centralized Customer Service Center.

Fax (866) 544-5353 • Phone (800) 945-2726

For pricing of units and additional options, reference the Aquatic Price Book. • Please indicate custom changes on reverse side drawings.

Rev. 08.02.18

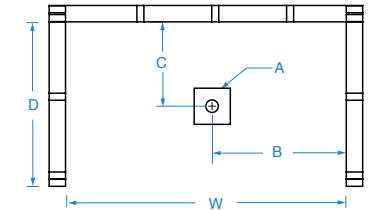
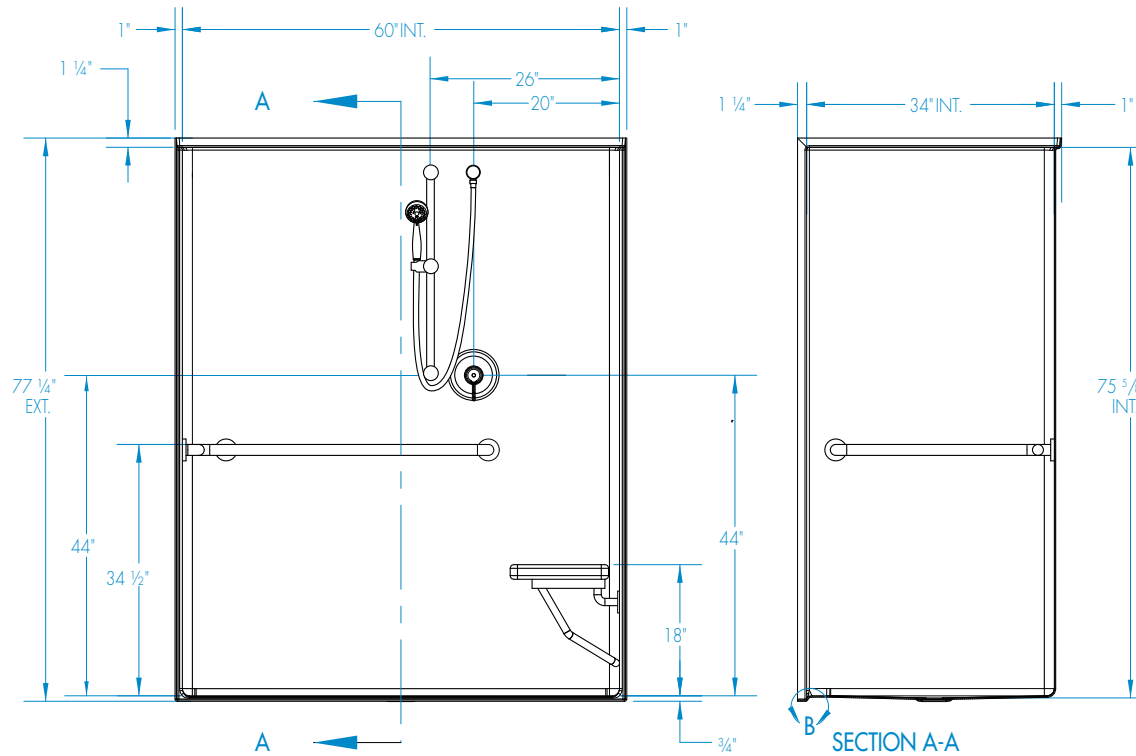


Submittal Sheet

Aquatic products may be specified as Lasco Bathware.

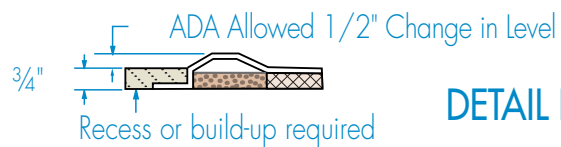
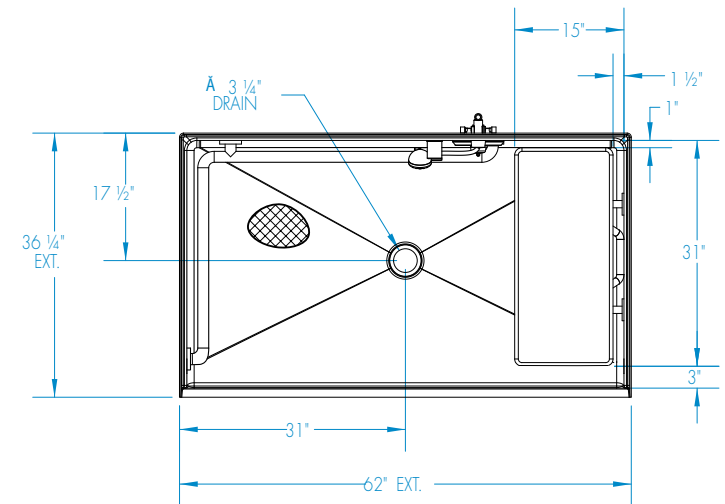
1603BFSBMA 521 CMR Compliant*

Please indicate changes needed.



FRAMING DIMENSIONS inches

Type	D Depth	W Width	A	B	C
Alcove	36 1/4	62 1/8	Box Out	31	17 1/2



DETAIL B

Shell tolerance: +0, -3/64" All other tolerances: ±1"