

6042TW – EVERYDAY BATHS

60 x 42 x 26 ¼ inches

SOAKER MODEL #6042TW

WHIRLPOOL MODEL #6042TWWP



FEATURES

- Alcove bath
- Smooth tile (Wainscot only)
- 8 ¾" wainscot
- Ergonomic backrest
- Integral tiling flange (3T)
- Integral skirt
- Left or right hand drain
- AcrylX™ applied acrylic surface
- Lifetime limited warranty

Whirlpool Features:

- 6 directional hydrotherapy jets
- Available in White and Biscuit/Linen only
- Color matched trim
- Pneumatic on/off control
- Advanced safety suction system

OPTIONS

- Designer drain, waste & overflow

AQUATIC ADVANTAGE

- National distribution
- 7 manufacturing facilities
- Private fleet
- Centralized customer service
- Field support

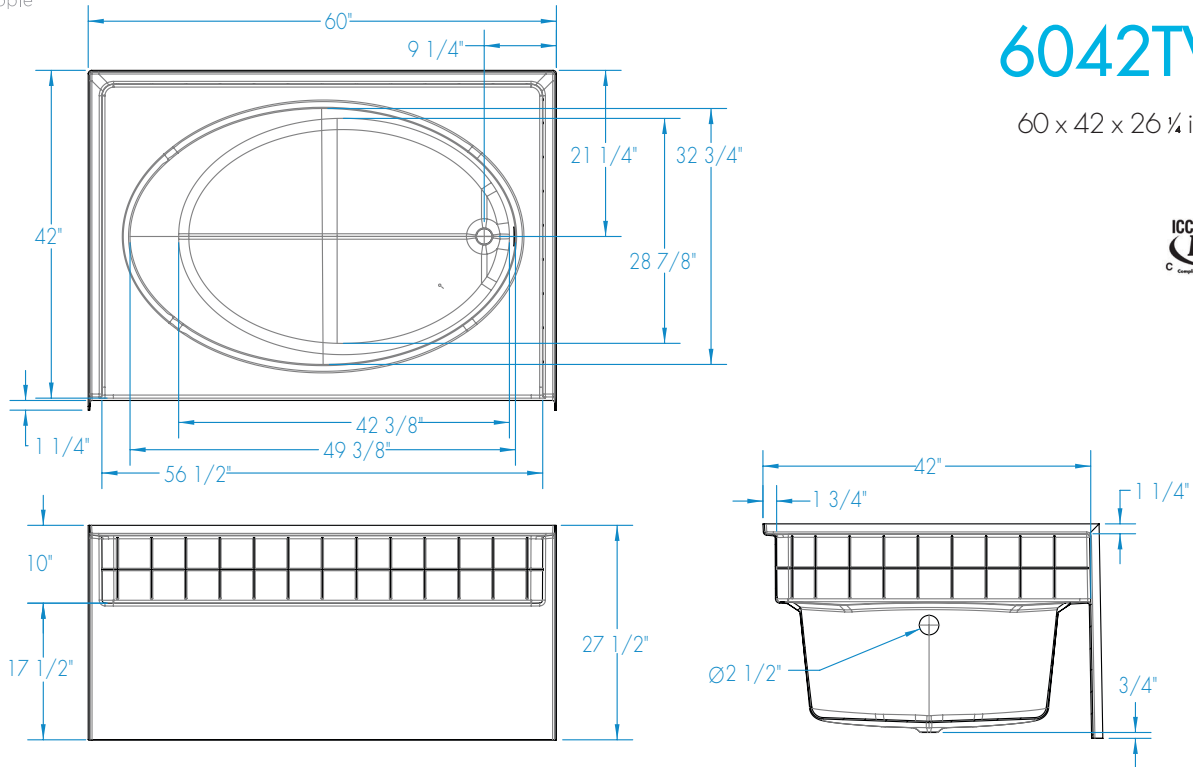
COLOR OPTIONS

Stock	Upgraded	Premium
White	Almond Biscuit/Linen Bone	Black Mexican Sand Sand Bar Sterling Silver



6042TW

60 x 42 x 26 1/4 inches



FEATURES lbs Dimensional Tolerance $\pm 3/8"$. Dimensions needed for site preparation should be measured from the unit. Aquatic assumes no responsibility for preparatory work.

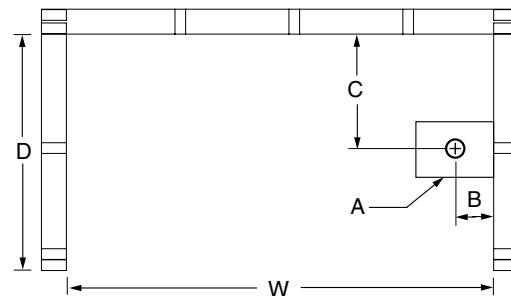
Model #	Material	Jets	Motor	Controls	Drain	Net Wt.	Pkg. Wt.
Soaker #6042TW	AcrylX™	-	-	-	LH or RH	85	90
Whirlpool #6042TWWP	AcrylX™	6	63 GPM	Pneumatic	LH or RH	135	140

DIMENSIONS

Specifications	inches
Width: Overall / Net	60
Depth: Overall / Net	43 1/4 / 42
Height: Overall / Net	27 1/2 / 26 1/4
Enclosure Opening	56 1/2
Skirt Height	17 1/2
Drain Rough-In (from Back Wall)	21 1/4
Drain Rough-In (from Side Wall)	3 7/8
Drain: Diameter / Clearance	2 / 3/4

FRAMING DIMENSIONS inches

Type	D Depth	W Width	H Height	A	B	C
Alcove	43 1/4	60 1/8	26	Box Out	3 7/8	21 1/4



SUMP DATA

Top of Drain to Bottom of Overflow	Capacity to Overflow gal	Min. Operating Capacity gal	WIDTH @ centerline		DEPTH @ centerline	
			Top	Bottom	Top	Bottom
11 3/4	67	50	49 3/8	42 3/8	32 3/4	28 7/8