

# DAVENPORT

BUILDERS' CHOICE



59 x 35 1/2 x 21 3/4 inches



## FEATURES ~

- Ergonomic bathing well
- Sculpted armrests
- Pre-leveled wood base
- Slip resistant floor
- Premium cast acrylic surface
- Limited 10-year warranty

\* Note: Availability of individual models varies by Regional Servicing Plant.  
Please consult your price list and/or A/B model list for availability in your area.

## COLOR OPTIONS

| Stock | Upgraded |
|-------|----------|
| White | Biscuit  |

## AVAILABLE SYSTEMS

### WHIRLPOOL

- Pneumatic on/off control
- 8 hydrotherapy jets
  - High-flow directional jets
  - Low-profile spinning micro-jets
- Whirlpool pump
- Safety suction system

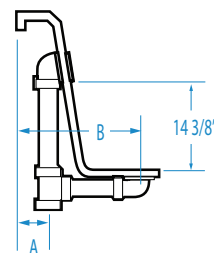
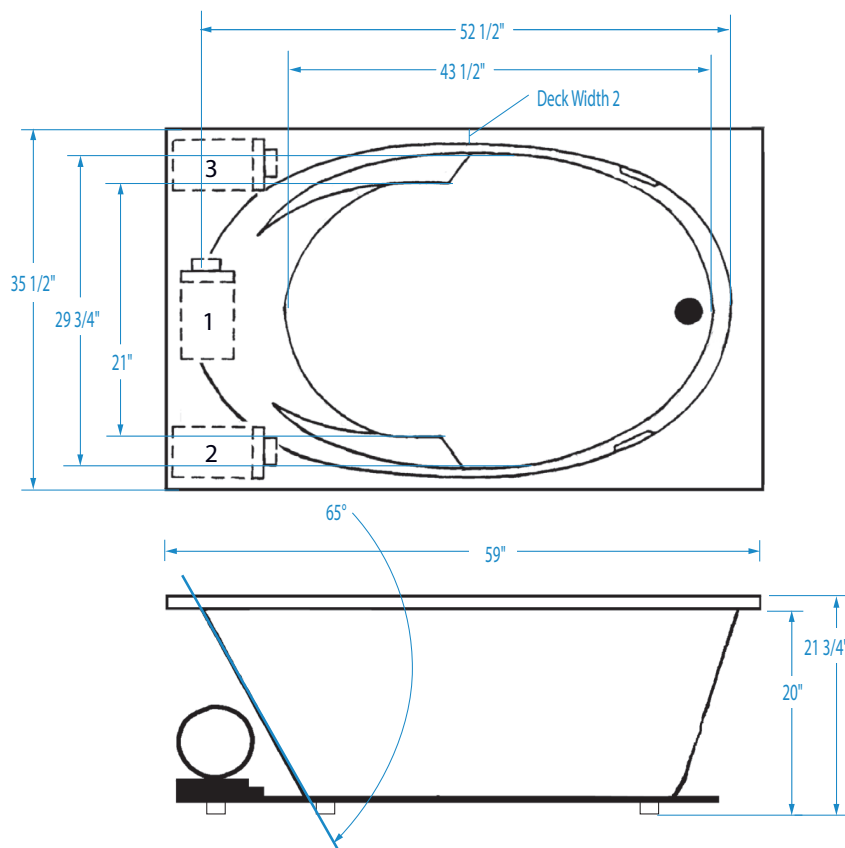
### AIR BATH

- Pneumatic on/off control
- Perimeter air system
- Single speed heated-air blower with purge and dry cycle



# DAVENPORT

59 x 35 1/2 x 21 3/4 inches



## FEATURES

Dimensional Tolerance  $\pm 3/8"$ . Dimensions needed for site preparation should be measured from the unit. Aquatic assumes no responsibility for preparatory work.

| Type and Model #   | Material     | Jets | Pump   | Heater                  | Controls  | Drain     | Pkg. Wt. lbs |
|--------------------|--------------|------|--------|-------------------------|-----------|-----------|--------------|
| Soaker #2460360    | Cast Acrylic | 0    | -      | -                       | -         | Universal | 116          |
| Whirlpool #2460361 | Cast Acrylic | 8    | 63 GPM | 1.5kW inline (optional) | Pneumatic | Universal | 166          |
| Air Bath #2460360A | Cast Acrylic | 0    | -      | Inline                  | Pneumatic | Universal | 146          |

## DIMENSIONS inches

| Width<br>Overall / Net | Depth<br>Overall / Net | Height<br>Overall / Net | Skirt<br>Height |
|------------------------|------------------------|-------------------------|-----------------|
| 59                     | 35 1/2                 | 21 3/4                  | -               |

## SUMP DATA inches

| Capacity to<br>Overflow<br>gal | Min. Operat-<br>ing Capacity<br>gal | WIDTH @ centerline |        | DEPTH @ centerline |        |
|--------------------------------|-------------------------------------|--------------------|--------|--------------------|--------|
|                                |                                     | Top                | Bottom | Top                | Bottom |
| 63                             | 58                                  | 52 1/2             | 43 1/2 | 29 3/4             | 21     |

## PLUMBING DIMENSIONS inches

| A     | B     | Drain<br>to Overflow | Drain<br>Diameter / Clearance |
|-------|-------|----------------------|-------------------------------|
| 2 3/8 | 8 7/8 | 14 3/8               |                               |

## ELECTRICAL DATA

| Component                         | Specification        | Requirement                                  |
|-----------------------------------|----------------------|--|
| Pump                              | 5 AMP; 120 V         | 15 AMP; 120V, separate circuit; Class A GFCI |
| Optional Heater (whirlpool model) | 1.5KW; 12 AMP; 120 V | 15 AMP; 120V, separate circuit; Class A GFCI |
| Heated Blower                     | 5 AMP; 120 V         | 15 AMP; 120V, separate circuit; Class A GFCI |

### NOTES:

1) Where applicable, utilize cut-out templates packed with unit for deck cutouts.

2) 16 x 16 minimum access required at pump/blower location(s).

Each air bath is equipped with an air heating system to raise the temperature of the air entering the bath. This air temperature will be lower than the bathing temperature of the water, but will help reduce rapid decrease in water temperature. In addition, the air coming from the air jets will feel cool against the skin. This system does not heat the water.