

EDEN CORNER WALL-HUNG

Cat. No.
4-1109



Faucet Not Included



Mounting hardware

Width: 17-³/₄"
Depth: 18-³/₄"
Height: 6-¹/₄"

***Please do NOT drill hole without
template or actual product.**

Interior Dimensions:

Basin interior: 16-¹/₂" X 9-¹/₄"
Basin depth: 4-³/₈"
Back of basin to center of faucet: 6-⁵/₈"
Back of basin to center of drain: 11-¹/₂"
Faucet hole diameter: 1³/₈"

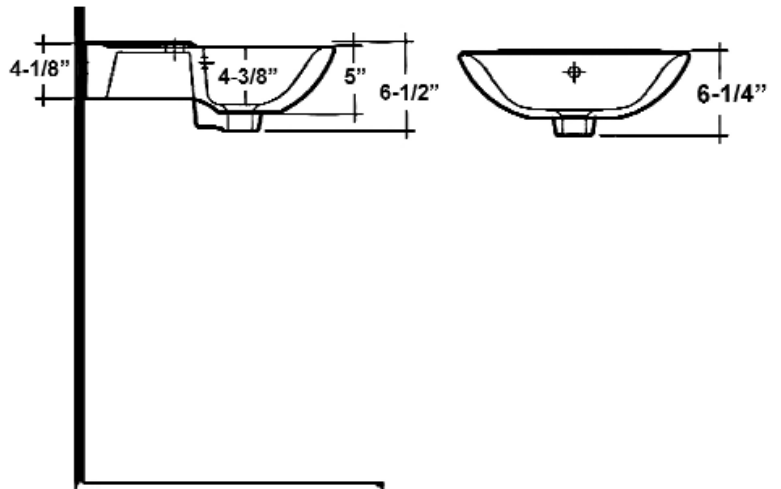
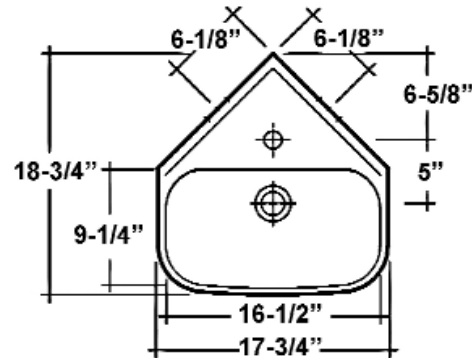
Features:

- ▶ Vitreous China
- ▶ Available for 1 faucet hole
- ▶ Pre-drilled overflow hole
- ▶ Perfect for corners
- ▶ Mounting hardware included

Colors:

WH White

Compliance Certification
Meets or exceeds the following
specifications: ASME A112.19.2
2018 and CSA B45.1-18 for
plumbing fixtures.



Dimensions of fixture are nominal and may vary within the range of tolerances established by ANSI Standard A112.19.2. Dimensions and specifications subject to change without notice.