



# HOSPITALITY PLASTIC TOILET SEAT



MODEL #

COLOR #

**730SL**

## DESCRIPTION :

Closed front with cover, round, injection molded solid plastic toilet seat. Features four molded-in bumpers, color-matched Whisper•Close® hinges with STA-TITE® Seat Fastening System™.

## SPECIFICATIONS :

Size:	Round
Material:	Plastic
Style:	Closed Front with Cover
Bumpers:	Four
Hinges:	Plastic Whisper•Close®
Fastening System:	STA-TITE® Seat Fastening System™

## FEATURES :

- Whisper•Close®
- STA-TITE® Seat Fastening System™

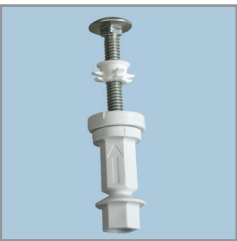
## DIMENSIONS :



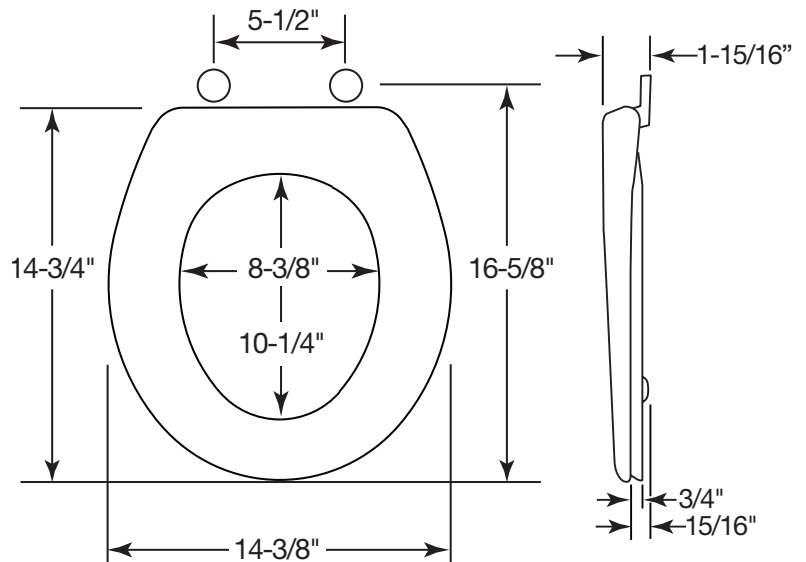
WHISPER•CLOSE®  
FEATURE



PLASTIC WHISPER•CLOSE®  
HINGES



STA-TITE® SEAT  
FASTENING SYSTEM™



Proudly Made in the USA

Bemis Manufacturing Co., Sheboygan Falls, WI 53085  
www.ToiletSeats.com

Phone: 800-558-7651 Fax: 800-292-3647  
©2014 0B7012344REVB