

ESTHESIA 6436

64" x 36" x 25" (FREESTANDING)

Esthesia, the new expression of beauty in the world of therapeutic baths. Neoclassically inspired Esthesia baths boast clean, purely geometric designs. Their elegant, luxurious pedigree means they're right at home in almost any cultural or architectural setting.



PRODUCT NO.

| MODEL | TMU | TUB |
|--------------|--------------|--------------|
| Freestanding | BEA3RF00T-XX | BEA3RF00N-XX |

| THERMOMASSEUR (TMU) Hydro-thermo massage • Air jet system | \$ |
|--|----------|
| Jets | 38 |
| 1 heated backrest | Included |
| MiaPlus® Control | Included |
| Geysair® | Included |
| AromaCloud® BAROMAC | \$ |
| Illuzio Chromatherapy BCHRO6 | \$ |
| 2 nd heated backrest (WTS-1 zone) BSHB | \$ |

| TUB Soaker | \$ |
|--|-----------------------|
| AromaCloud® BAROMAC | \$ |
| Illuzio Chromatherapy BCHRO6 | \$ |
| WarmTouchShell® BWTS | \$ |
| DOT control | Included with therapy |
| 2 nd WarmTouchShell® BWTS2 | \$ |

FEATURES

| | | | |
|-------------------|--------------|--------------|----|
| Installation type | Freestanding | | |
| No. of bathers | | Imp. gallons | 49 |
| US gallons | 59 | | |

INTEGRATED WASTE & OVERFLOW **BOVERINI-XX**

| | |
|--|----------------------|
| White 01 , Chrome 07 , Brushed Nickel 09 , Polished Nickel 10 | Installed & Included |
|--|----------------------|

STANDARD COLOR

| | |
|-----------------|----------|
| | Included |
| White 01 | |

OPTIONS (UPCHARGE APPLICABLE)

COLOR

| | |
|-----------------------------|----|
| | \$ |
| Black / White 66 NEW | |

FINISH

| | |
|---|----|
| UltraVelour Matte Finish (White only) BVEL | \$ |
|---|----|

INTEGRATED WASTE & OVERFLOW **BOVERINI-XX**

| | |
|--|----|
| Matte Black 19 , Black Chrome 12 , Satin Brass 18 | \$ |
|--|----|

CONTROL (TMU only)

| | |
|----------------------------|----|
| MiaMulti® BMIAM2-XX | \$ |
|----------------------------|----|

ISLAND TUB DRAIN™*

| | |
|---|----|
| Island Tub Drain™ BISLDD | \$ |
| Cast Iron Island Tub Drain™ BISLDDCI | \$ |

IF REQUIRED BY CONSTRUCTION CODE OR INSTALLED WITH ITD

| | |
|--|----|
| Brass waste & overflow kit BDRCOB | \$ |
| Brass waste kit BDRCB | \$ |



Don't forget to specify the **finish of the integrated waste & overflow.**

* An Island Tub Drain™ is required when there is no access under the bath.

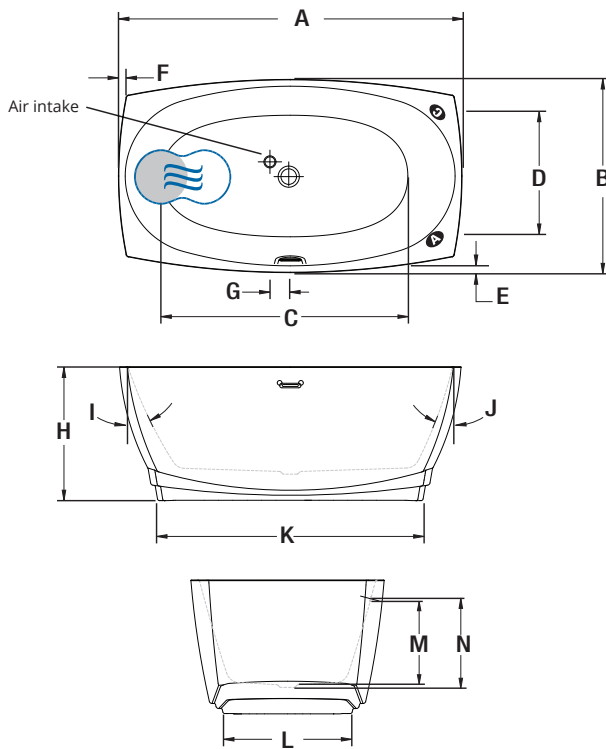
TOTAL PRICE \$



ESTHESIA 6436 (FREESTANDING)



INSTALLATION



| LETTER | DESCRIPTION | MEASURE |
|--------|---|---------|
| A | Total length | 64" |
| B | Total width | 36" |
| C | Bathing well length | 47 3/8" |
| D | Bathing well width | 23" |
| E | Deck width | 1 5/8" |
| F | Deck width at headrest | 1 5/8" |
| G | Center waste to air intake | 3 1/2" |
| H | Total height | 25" |
| I | Slope of backrest | 26° |
| J | Slope of backrest | 21° |
| K | Base length | 49 5/8" |
| L | Base width | 23 7/8" |
| M | Height from drain to center of overflow | 16 5/8" |
| N | Maximum water level | 15 7/8" |

- A** AromaCloud® position
- G** Control position when factory-installed (Mia® or DOT)
- Indicates heated backrest (TMU)
- ☄ Indicates WarmTouchShell® position (TUB)

TECHNICAL SPECIFICATIONS

| | |
|----------------------------------|--|
| Hot water supply required | Should be 70% of water capacity of TUB or greater. |
| Turbine | Access to the pump must be at least 18" x 22". Standard connection is 20 A, 120 V, 60 hz , dedicated line with a Ground-Fault Circuit Interrupter (GFCI). For any additional option, a second line is needed 15 A, 120 V, 60 hz , dedicated line with a GFCI. Air vent necessary: 2" x 4" minimum. |
| Others | - Faucet must be freestanding or wall-mounted. - The turbine must be remotely installed . |

Our products must be installed by certified professionals only and according to our Owner's Manual as well as federal, provincial/state and local building codes and regulations (www.bainultra.com/documentation/documentation).

| | |
|--------------------------------|------------|
| Cutting template | # 90000066 |
| Approx. shipping weight | 240 lbs |
| Turbine power | 550 W |
| Air heater | 600 W |
| WARRANTY | |
| Controls-LED-Geysair* | 5 years |
| Bath & turbine* | 20 years |

* Some restrictions apply | www.bainultra.com/warranty



The specifications shown indicate the outer edge dimension and the inside bathing capacity dimension measured at air jets' height. The manufacturer accepts a 1/4" [0.64 cm] variance. There are variations on each product and specifications are subject to change as we improve upon our product as required. The dimensions needed for site preparation and structure building will differ. BainUltra® assumes no responsibility for preparatory work done prior to the product being on site.