

VEDANA®

OWNER'S MANUAL

OASIS FOR PERSONAL CARE™

IMPORTANT INFORMATION FOR THE INSTALLER
AND THE OWNER

 BainUltra®
The quest for your wellness™

IMPORTANT: TO BE KEPT FOR THE OWNER

TABLE OF CONTENTS

LIMITED WARRANTY	4
SAFETY INSTRUCTIONS	5
TECHNICAL SPECIFICATIONS	6
PARTS AND TOOLS	7
SITE PREPARATION	8 - 9
STRUCTURE INSTALLATION	10 - 11
MP3 PLAYER INSTALLATION	12 - 13
ELECTRICAL INSTALLATION	14
FINISHING INSTALLATION	15 - 17
USING MIAPLUS® CONTROL	18 - 19
MAINTENANCE	20 - 21
TROUBLESHOOTING	22 - 23

956, chemin Olivier
Saint-Nicolas (Québec)
G7A 2N1

T 418.831.7701

1.800.463.2187

F 418.831.6623

1.800.382.8587

info@bainultra.com

THE BAINULTRA® LIMITED WARRANTY

BAINULTRA® THERMOMASSEUR® : 20 YEARS, VEDANA® & TEMAZKAL® : 5 YEARS

LIMITED WARRANTY

This limited warranty is extended only to the original purchaser of the unit who has possession of his or her receipt of purchase, and is valid only when the unit has been purchased through an authorized Bains Ultra Inc. ("BainUltra®") retailer and has been registered with BainUltra® (registration not required for consumer purchasers domiciled in the Province of Québec). This warranty is not transferable under any circumstance. Please note that you are responsible for inspecting the product and all parts prior to installation. This warranty will not apply if a product with visible defects has been installed without providing notice to BainUltra® of the defect.

BainUltra® guarantees the acrylic and motor turbine of your bath for a twenty-(20) year period from the original purchase date against defects in materials and workmanship. In the case of the electronic components of the ThermoMasseur®, parts of the Vedana® or the Temazkal® and the massage table for the Ayoura®, BainUltra® guarantees against defects in materials and workmanship for a five-(5) year period from the original purchase date. Towel bars, grab bars and claw feet are guaranteed for a two-(2) year period.

The Euphonia® headset and the drains and overflows are guaranteed for a one-(1) year period from the original purchase date. For wooden parts of certain models, Tekura®, Morphosys™, and MyBodyRest® kit, BainUltra® guarantees that, in their original manufacturing form, these parts are free of any manufacturing, dimensional or strongly apparent natural defects for a one-(1) year period from the original purchase date. Tile flanges are guaranteed prior to installation only.

BainUltra® products are designed for residential use only. BainUltra® products used for commercial or display applications will be limited to a two-(2) year warranty against defects in materials and workmanship regardless of the specific nature of any potential defects. BainUltra® products sold outside of North America will be limited to a parts-only warranty through the dealer of the sale. Our service department will help diagnose any problems with your unit and will provide parts only for repairs or replacements covered by the warranty. All parts will be shipped to the dealer in North America. BainUltra® will not be responsible for cost of shipping or servicing outside of North America. Any part that must be changed during the warranty period will be covered by the original warranty or for a two-(2) year period following replacement, according to the first contingency.

EXCLUSIONS

The above-stated limited warranty applies as long as: i) the damage is not caused by an accident, abuse, misuse, fire, insects, use of abrasive products, force majeure or an act of God. The above-stated limited warranty does not apply to:

i) Transport, handling or installation damages; or ii) wood components that will, because of their organic nature, expand when exposed to seasonal changes, normal heating variations and normal exposure to sunlight which will slightly alter the wood tint; or iii) the vinyl surface and the sheet of Ayoura's optional massage table.

Moreover, this warranty is void if: i) your BainUltra® ThermoMasseur® bath, your Vedana® or your Temazkal®, or any other BainUltra® product is installed by anyone other than a licensed contractor; ii) your BainUltra® bath, your Vedana®, your Temazkal®, or any other BainUltra® product or part thereof has been modified or if any repairs have been attempted by anyone other than BainUltra®, an authorized BainUltra® dealer, or other representative of BainUltra®; or iii) the unit is installed outdoors, or has not been installed in accordance with BainUltra®'s instructions, or in compliance with local codes and ordinances.

Any and all components that are not provided by BainUltra®, as well as any items attached or installed on your BainUltra® ThermoMasseur®, your Vedana® or your Temazkal®, or on any other BainUltra® product after the date of manufacture are expressly excluded from this limited warranty.

PROCEDURE

Any defect involving BainUltra®'s potential liability under this limited warranty shall be reported to BainUltra® within ten (10) days of its occurrence.

To assist you with your warranty, please contact BainUltra®'s customer service by email, telephone or fax between 8 a.m. to 8 p.m. Monday to Thursday (EST) or 8 a.m. to 5 p.m. on Friday (EST).

Email: info@bainultra.com
Tel: 1 800 463-2187 or 418 831-7701
Fax: 1 800 382-8587 or 418 831-6623

BainUltra Inc.
956, chemin Olivier
Saint-Nicolas, Québec
Canada G7A 2N1

Proof of purchase and date of purchase will be required. Units claimed to be defective shall be held until inspected by an authorized representative of BainUltra®, and upon their specific instructions, units found to be defective will be repaired or replaced at BainUltra®'s exclusive choice.

The liability of BainUltra® with respect to the sale of this unit shall be limited to repair or replacement by a similar product as provided above and does not include any cost of removal, reinstallation, transport and shipping of defective product, loss of time, salary or any other expenses as well as any consequential damages of any kind. BainUltra® and its representatives shall not be liable for any injury, loss, cost or other damage, whether direct, consequential, incidental, or special, that arise from any defect covered under this limited warranty, even if BainUltra® has been advised of the possibility of such damage. Some states and provinces may not allow the exclusion or limitation of incidental or consequential damages, so the above limitation or exclusion may not apply to you, but these limitations or exclusions will be enforced to the maximum extent of the law. An adequate access way to mechanical and electrical parts of your BainUltra® ThermoMasseur® bath, your Vedana®, your Temazkal®, or any other BainUltra® product must be anticipated and prepared before an authorized representative arrives on the premises to carry out a repair. The costs incurred to provide access to the motor turbine, the electronic module or the heating system will not be covered by this warranty.

LIMITATIONS

Except for consumer purchasers domiciled in the Province of Québec, and except to the extent prohibited by applicable law, this limited warranty replaces all other warranties, expressed or implied, in fact or at law, including implied warranties based on course of dealing, usage of trade, and merchantability and fitness for a particular purpose. (Inapplicable in Québec). The terms of this limited warranty cannot be modified or extended in any way whatsoever by any agent, dealer, distributor, service company or party other than BainUltra®.

BainUltra® excludes any statement in any advertisement or instruction, any picture, or any guideline as an express warranty for our products. We recognize that some states and provinces may not allow limitations on implied warranties, so the above limitations and exclusions may not apply to you, but they will be enforced to the maximum extent of the law.

LEGAL RIGHTS

This limited warranty gives specific legal rights and is not applicable if it interferes with any law or regulation in any state, province or country.

SAFETY INSTRUCTIONS

IMPORTANT: READ AND FOLLOW ALL INSTRUCTIONS

INSTRUCTIONS PERTAINING TO A RISK OF FIRE, ELECTROCUTION, OR PERSONAL INJURY

- Never let children operate the Vedana® without supervision.
- Never obstruct the heated air exit with any object.
- Basic precautions must be taken during the installation and usage of electrical products, as mentioned in this manual.
- Installation must allow easy access to components for servicing and repairs.
- Under no circumstances should a substitution be made for any Vedana® component.
- Cleaning measures should be duly followed, including the recommendation to clean the filters.
- Avoid wearing contact lenses or jewelry during ThermoTherapy® sessions.
- To reduce the risk of injury never touch the metal structure or ceramic around the Vedana® during ThermoTherapy® session.
- Do not install shower heads or water spray device above the sauna heater.
- As in any heated environment, prolonged exposure to high temperatures may trigger hyperthermia (overheating). Hyperthermia occurs when internal body temperature rises above normal body temperature of 98.6 °F (37 °C).
- Symptoms of hyperthermia include an increase in internal body temperature, dizziness, nausea, loss of consciousness, lethargy, and drowsiness. The effects of hyperthermia include:
 - Inability to perceive heat;
 - Inability to recognize the need to exit the room;
 - Physical inability to leave the room;
 - Unawareness of danger;
 - Fetal injury in pregnant women;
 - Loss of consciousness.
- If you are a pregnant women, or a person who have had a stroke or have heart disease, kidney failure, or a history of heat stroke, contact a doctor before doing a ThermoTherapy® session. The use of drugs or alcohol may significantly increase the risk of death from hyperthermia.
- Drink water before, during and after the therapy to avoid dehydration.
- Use gradually the therapeutic system.
- All electrical connections must be made by a certified electrician in accordance with local, provincial/state, and federal building/electrical code regulations.
- Make connections as shown in diagram. Make connections in the control box before connecting to power supply.
- This unit is connected to a 240 V circuit with a 8/3 copper wire.
- The unit's electrical system must be connected to a circuit protected by a 40 Amperes Class A ground fault circuit interrupter (GFCI). These components must be new.
- Control panel connections must be minimum no. 8 AWG copper conductors rated minimum 194 °F (90 °C).
- All electrical connections to the MP3 player must be made with the provided wiring and must not be cut.

PRECAUTIONS FOR ESSENTIAL OILS AND NEBULIZER:

- Never drink essential oil or leave children alone with essential oil.
- Do not drop essential oils in nose, ear, or anogenital mucosal.
- If allergic reactions occur, stop using the product.
- Do not use if the seal is broken.
- Manipulate the diffuser with care to reduce the risk of injuries.
- Avoid contact of essential oil with eyes. In the event of accidental contact with eyes, carefully apply vegetable oil to the affected eye with a cotton swab. **DO NOT rinse eyes with water.** See immediate medical assistance.



WARNING

- FAILURE TO FOLLOW THE SAFETY INSTRUCTIONS OF THE MANUAL COULD RESULT IN SERIOUS PERSONAL INJURY AND/OR PROPERTY DAMAGE.
- USE THIS VEDANA® UNIT FOR ITS INTENDED PURPOSES OR AS DESCRIBED IN THIS MANUAL. USE ONLY ATTACHMENTS RECOMMENDED BY THE MANUFACTURER.

TECHNICAL SPECIFICATIONS

DIMENSIONS

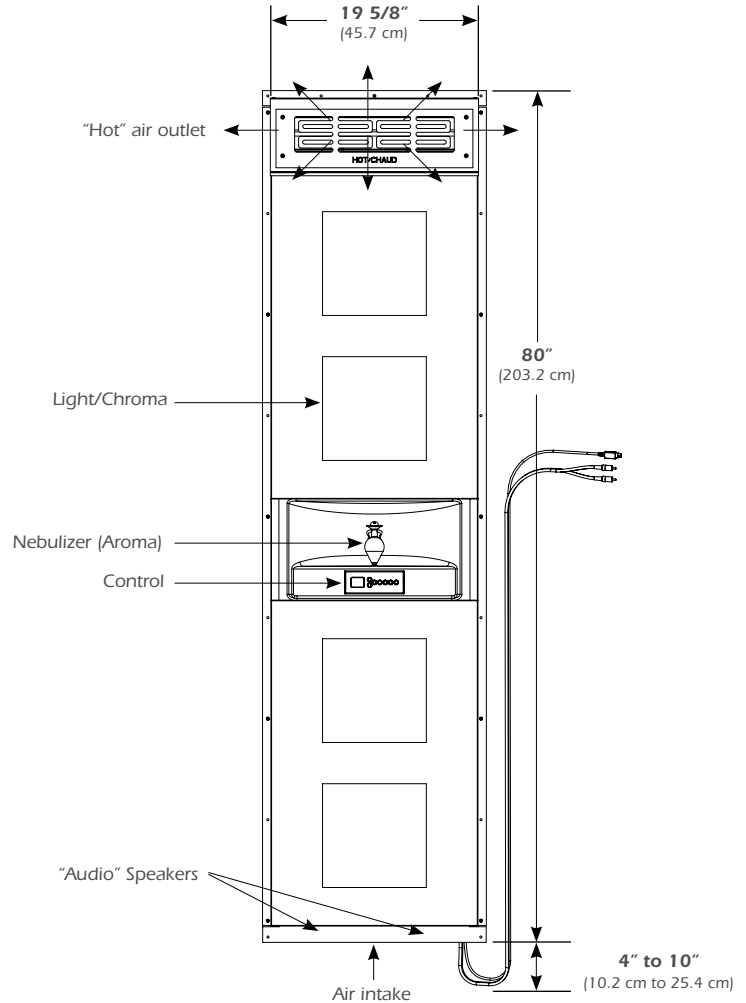
21" x 80" x 9 1/2"

THERAPIES INCLUDED

- Aromatherapy
- ThermoTherapy®
- Light Therapy®
- Chromatherapy
- Sound Therapy®

GENERAL SPECIFICATIONS

- Polycarbonate
- Galvanized stainless structure
- Stainless steel and polycarbonate finish
- All bolts required for assembly included
- This unit is connected to a 240 V circuit / 40 Amp.



3 1/2" structure with minimum 3" fiberglass insulation

1/2" Gypsum or 1/2" fiber cement

1/2" to 1" finishing



Polycarbonate & Components*

- The manufacturer accepts a 1/4" (0.64 cm) variance. There are variations on each product and specifications are subject to change as we improve our product. The dimensions needed for site preparation and structure building may differ. BainUltra® assumes no responsibility for preparatory work done prior to the product being on site.

* Some restrictions may apply.

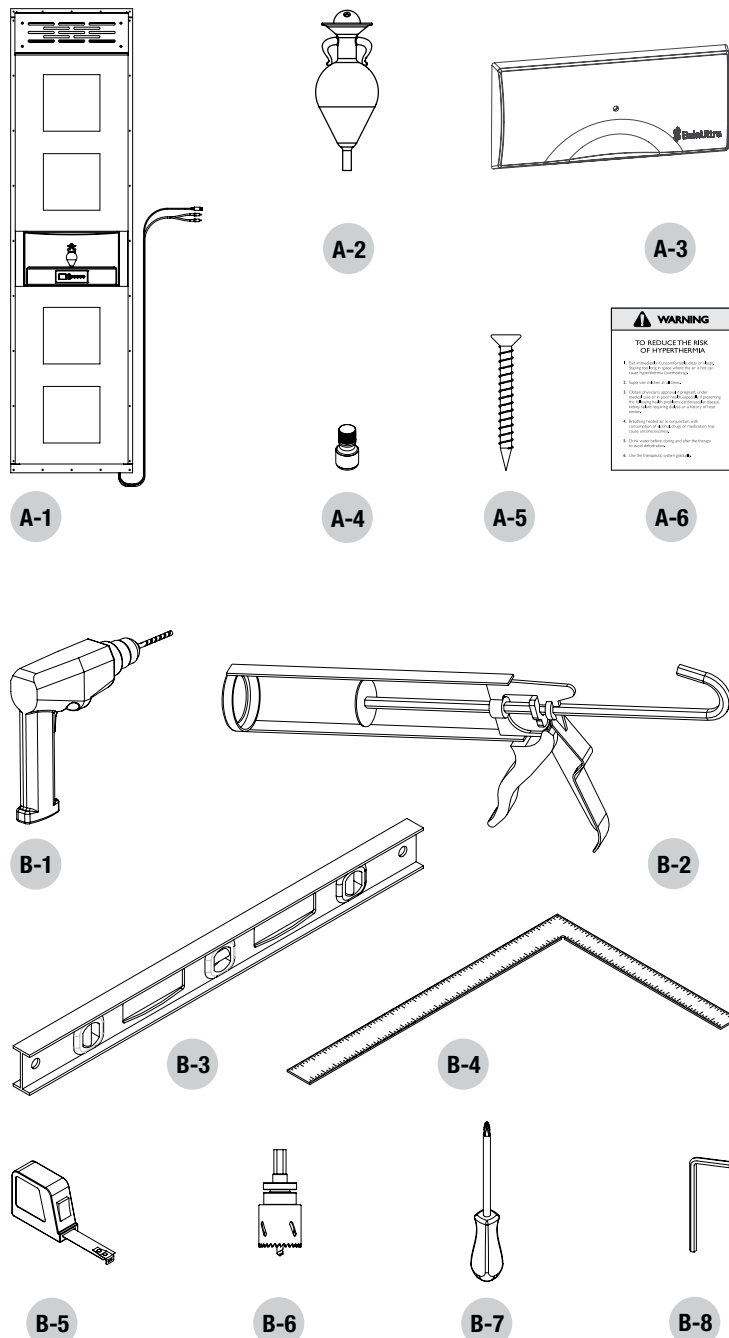
PARTS AND TOOLS

A. PARTS INCLUDED

A-1	Vedana®
A-2	Nebulizer
A-3	MP3 player
A-4	Essential oils bottles
A-5	12 #8 x 1 1/2" screw
A-6	2 Hyperthermia warning

B. TOOLS REQUIRED

B-1	Drill
B-2	Caulking gun
B-3	24" Level
B-4	24" Square
B-5	Measuring tape
B-6	Hole saw
B-7	Phillips screwdriver
B-8	1/8" Allen key



VEDANA®

WARNING

TO REDUCE THE RISK OF HYPERTHERMIA

1. Do not use the unit if you are pregnant or have a medical condition that may be affected by heat.
2. Do not use the unit if you are under the influence of alcohol or drugs.
3. Do not use the unit if you are feeling dizzy, lightheaded, or nauseous.
4. Do not use the unit if you are feeling hot or overheated.
5. Do not use the unit if you are feeling any of the following symptoms:
 - Headache
 - Dizziness
 - Nausea
 - Vomiting
 - Diarrhea
 - Stomach pain
 - Rapid heartbeat
 - Shortness of breath
 - Chest pain
 - Confusion
 - Loss of consciousness
6. If you experience any of the above symptoms, stop using the unit immediately and seek medical attention.
7. Do not use the unit if you are feeling any of the following symptoms:
 - Redness or irritation of the skin
 - Blistering or peeling of the skin
 - Severe itching
 - Swelling of the skin
 - Pain or discomfort
8. Do not use the unit if you are feeling any of the following symptoms:
 - Burning or stinging
 - Tingling or numbness
 - Weakness or fatigue
 - Difficulty breathing
 - Rapid heartbeat
 - Dizziness
 - Nausea
 - Vomiting
 - Diarrhea
 - Stomach pain
 - Headache
 - Confusion
 - Loss of consciousness

IMPORTANT

- Vedana® unit was delivered in a single box.
- Please make sure that all parts are present and in proper condition.

SITE PREPARATION

INSTALLATION CONFIGURATION

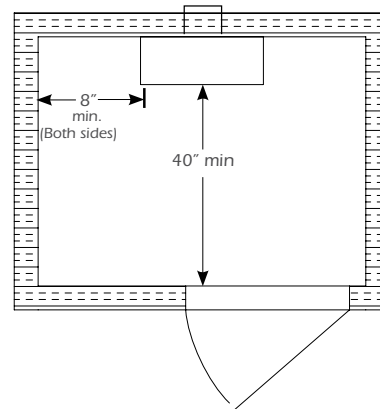
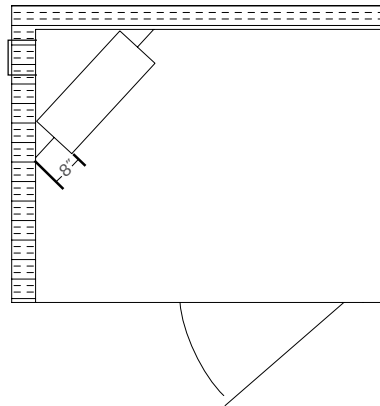
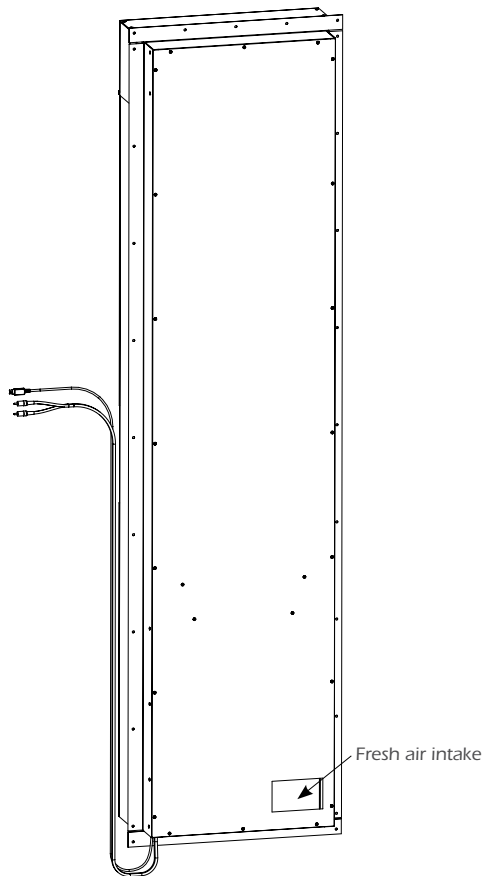
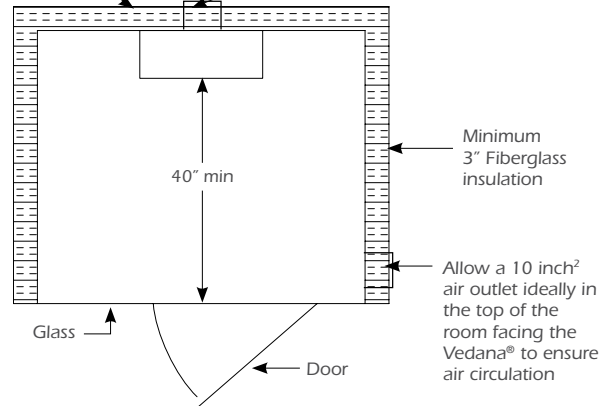
Your Vedana® was designed to provide optimal efficiency in a room of 120 ft³ to 280 ft³. Minimum ceiling height: 7ft, maximum 8ft.

Do not install closer than 8 in to any vertical surface, 2 in to ceiling or 4 in to the floor. Run the wires and connect them to the MP3 player.

IMPORTANT: All electrical connections must be carried out by a certified electrician.

Do not screw on the back wall facing the Vedana®

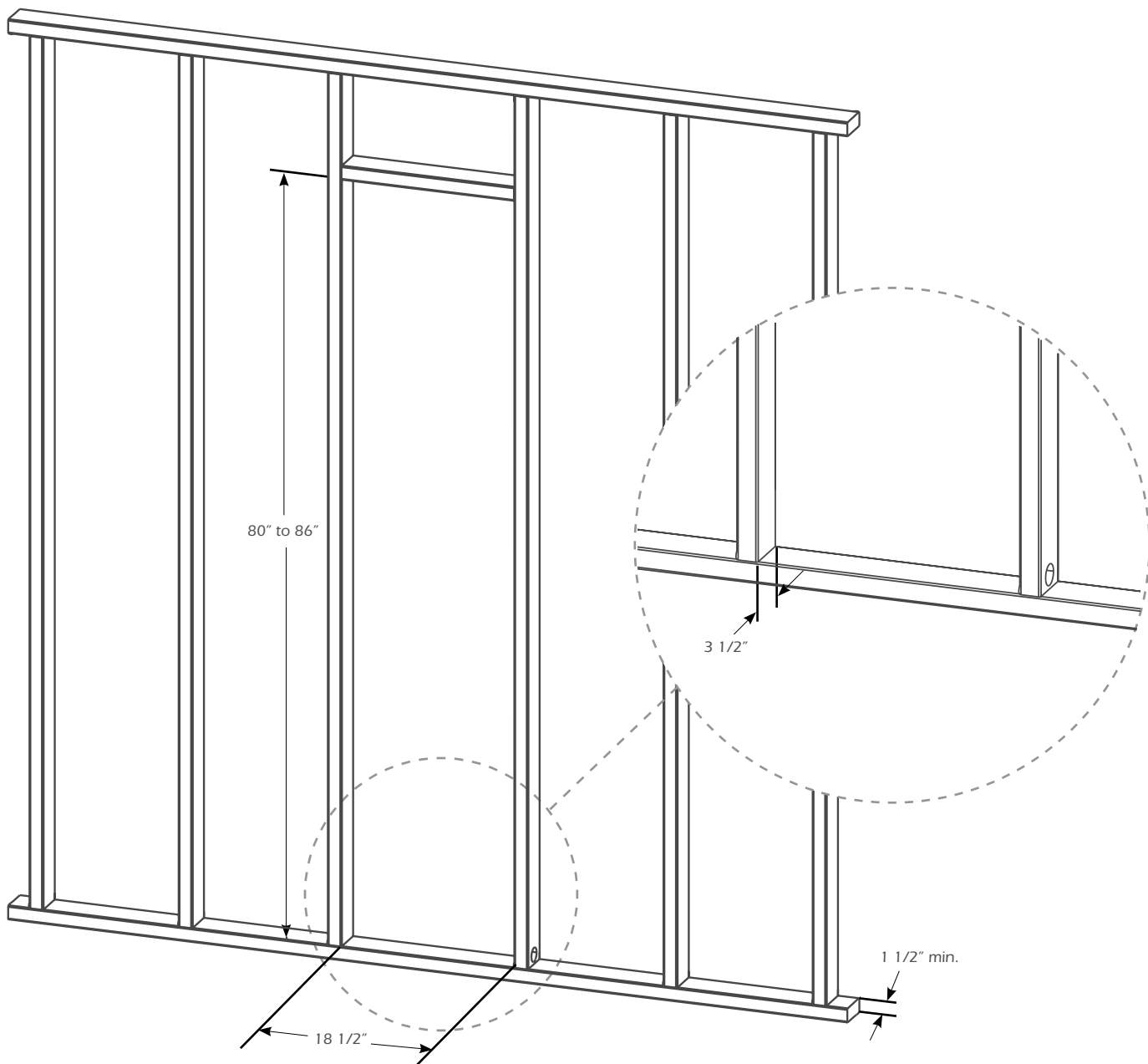
Minimum air intake of 24 in² behind the Vedana®



WARNING

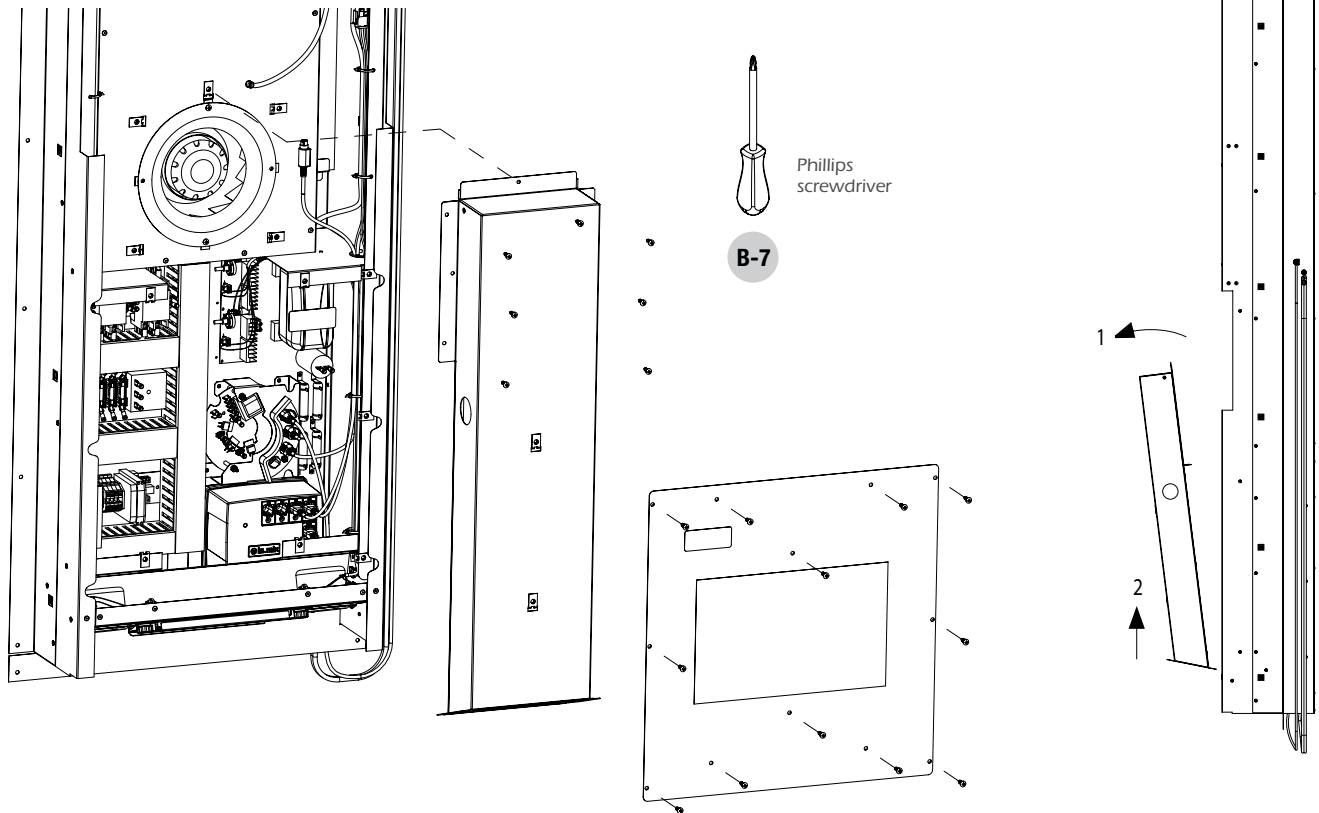
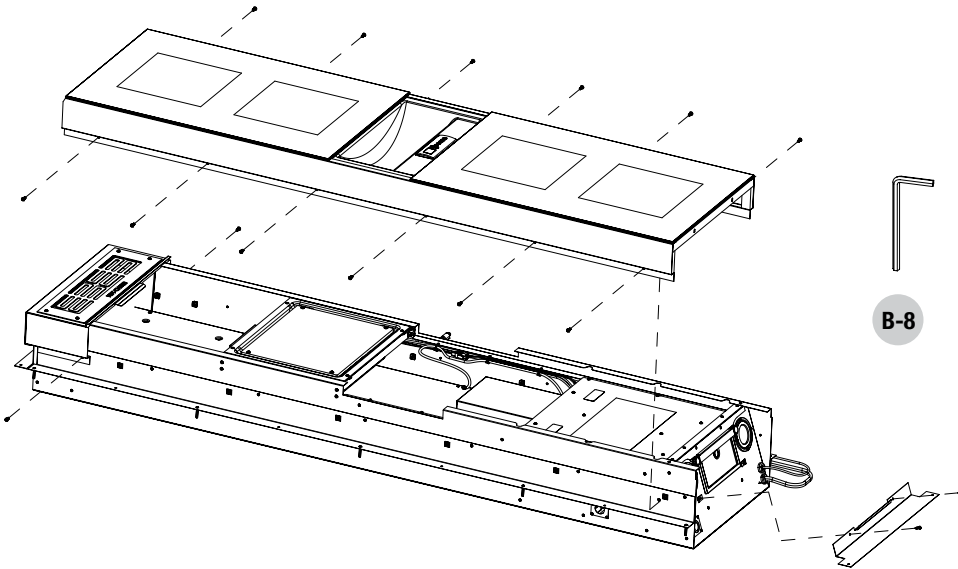
- Do not install on an exterior wall, this would reduce the insulation of your house.
- Doors must always open outwards. All that should be needed to open the door is a light pressure. Never install any locking or latching on the door. Make sure that the door can't cause any entrapment.
- Do not install shower faucets or a shower head any closer than 3 ft (36") from the Vedana®.
- The control panel should not be directly exposed to the shower flow.

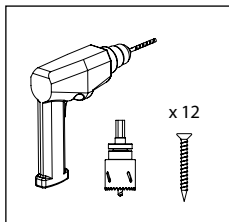
STRUCTURE AND INSTALLATION OF SUPPORTS



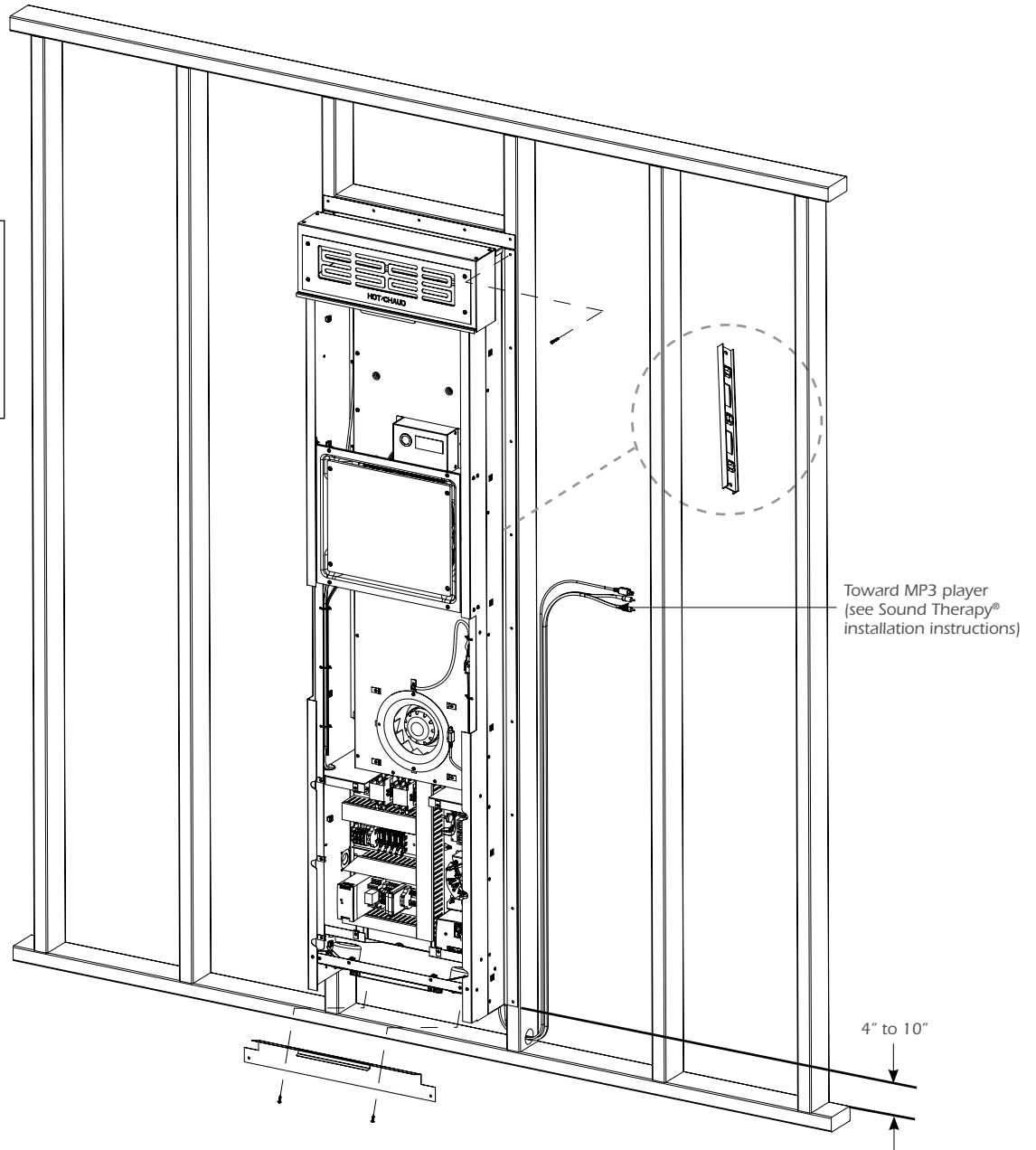
STRUCTURE INSTALLATION

VEDANA®





DRILL AND SCREW



VEDANA®

WARNING

- Always handle the Vedana® with the help of another person to avoid breach and/or injury.
- Sound system must be installed outside shower enclosure as it is not designed to withstand high temperatures.
- When drilling holes, be careful not to damage the stainless steel side panels.

MP3 PLAYER INSTALLATION

INSTALLING THE MP3 PLAYER

In the wall, cut out a rectangle 105 mm (4 1/8") long by 54 mm (2 1/8") high.

Drill two mounting holes at 132 mm (5 1/4") and insert the blue anchors for the no. 8 screws.

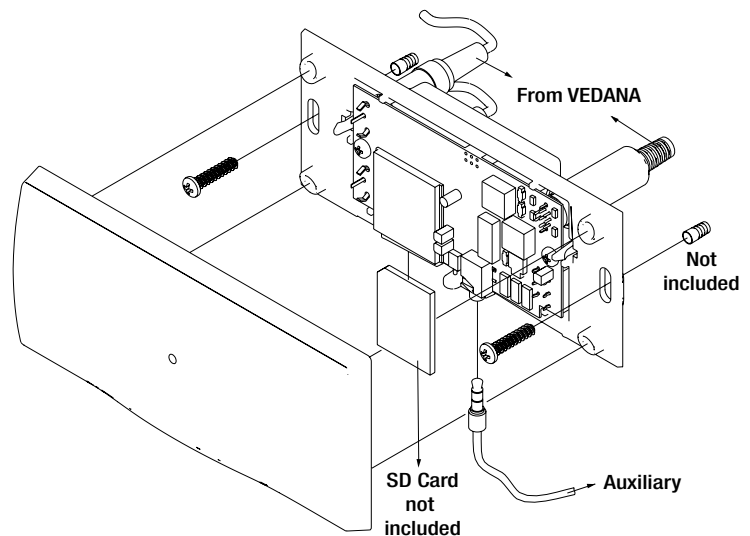
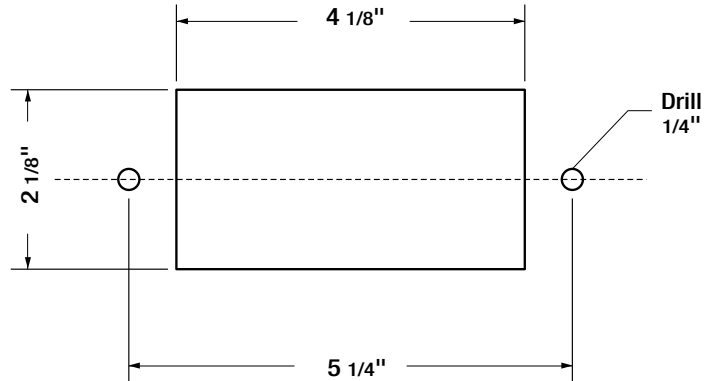
Run the wires and connect them to the MP3 player.

Detach the MP3 player faceplate and screw the two no. 8 screws into the blue anchors.

Verify if the MP3 player is working. If it is working properly, reattach the MP3 player faceplate (see drawing p.12).

CONNECTING MP3 PLAYER TO THE VEDANA®

Take Mini-DIN + RCA cable provided with Vedana® and bring to MP3 player through wall.



WARNING

- Risk of electrocution. The MP3 player must be installed at least 1.5 meters (5') from all water sources, such as bathtubs, showers, sinks, etc. Failure to follow these instructions may result in risk of electrocution and harm to your health. The MP3 player must be installed in an environment where the temperature is between 32 °F (0°C) and 113 °F (45°C). The relative humidity in the room where it is installed must not be higher than 95%.
- Non-compliance of these terms will void the warranty.

CONNECTING ELECTRICAL POWER SUPPLY

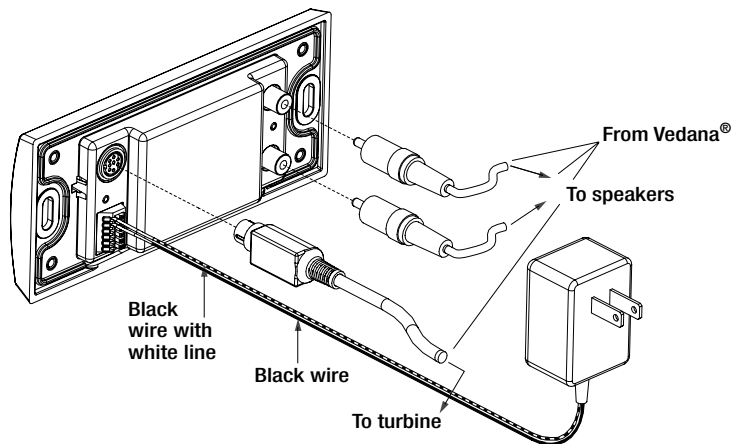
The electrical power supply module must be plugged into a 120 volt/15 amp/60 hertz outlet.

After running the wire into the wall, plug the black wire with a white line into the first connector from the top and the black wire into second connector.

The power supply module may be connected a maximum of 6.09 meters (20') from the MP3 player.

Electrical hookup must be performed in compliance with the local electrical code.

To properly insert the stripped wires into their connectors, use the tip of a pencil to push on the connecting strip. It will then be easy to insert the wire.



CONNECTING A PERMANENT EXTERNAL SOURCE

To connect an external analog Source such as a central sound system, connect a cord from the source output to the auxiliary input on the bottom of the mp3 player.

NOTE: The input signal must not exceed 10 watts.

WALL-MOUNTED INSTALLATION

If the panel must be wall-mounted, remove the control's self-stick adhesive backing. Apply a bead of silicone for a more solid installation.

A 15' cord is included.

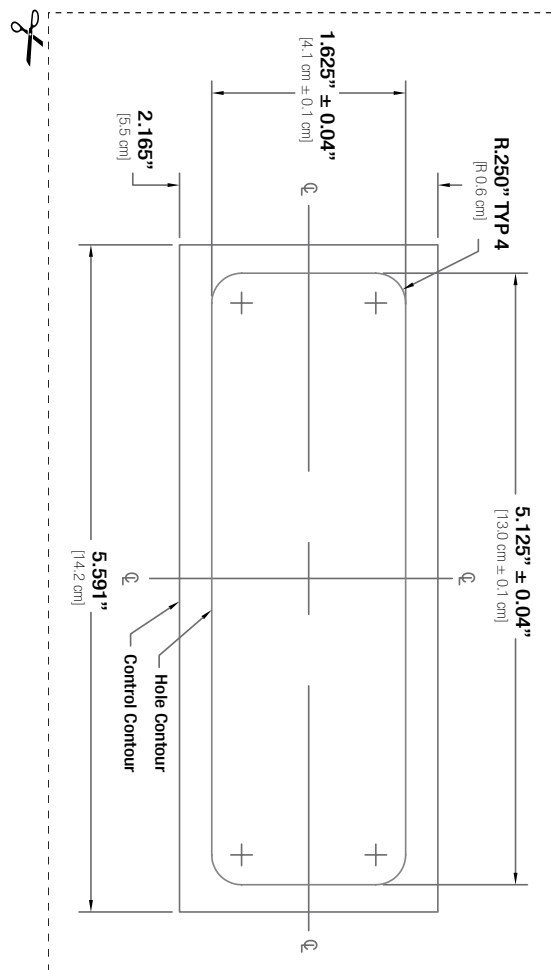
DRILLING

Refer to the drilling template for the location and diameter of the holes.

INSTALLING THE TOUCHPAD

1	Push wiring through drilled holes.
2	Remove protective film from watertight seal.
3	Secure touchpad into place on the wall by using 2, 8-32 x 1" studs and 2 wing nuts.
4	Tighten sufficiently to insure seal is airtight.

DRILLING TEMPLATE



WARNING

- The control panel should not be directly exposed to the shower flow.

ELECTRICAL INSTALLATION

ELECTRICAL CONNECTIONS

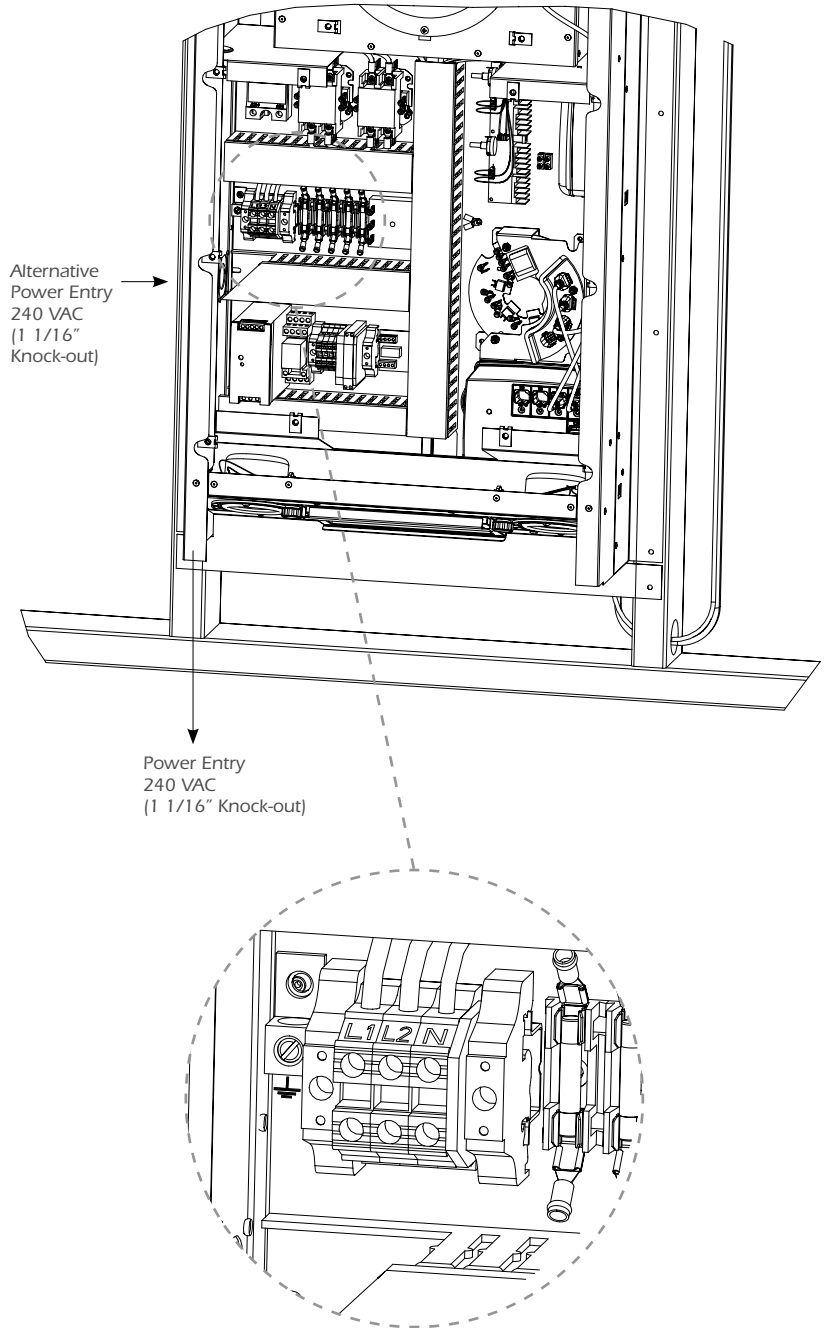
Proceed carefully when installing the electrical system, paying close attention to the following: All electrical connections must be made by a certified electrician in accordance with local, provincial/state and federal building/electrical code regulations.

Make connections as shown below. Make connections in the control box before connecting to power supply.

This unit is connected a 240 V circuit with a 8/3 copper wire.

The unit's electrical system must be connected to a circuit protected by a 40 Amperes Class A ground fault circuit interrupter (GFCI). These components must be new.

Connections must be minimum No. 8 AWG copper conductors rated minimum 194 °F (90 °C).



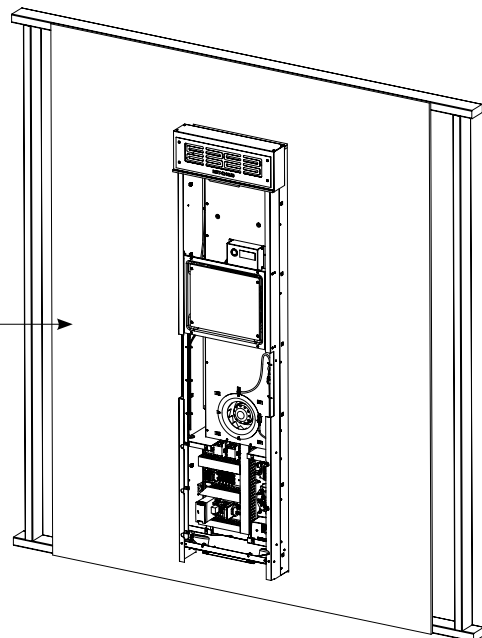
WARNING

- Under no circumstances should a substitution be made for any Vedana® component.

FINISHING INSTALLATION

INSTALLATION OF WALL PANELS

Humidity-resistant gypsum
or fiber cement
1/2" thick



VEDANA®

INSTALLATION OF CERAMIC TILES

Gypsum or fiber cement

Minimum 3 1/2 " structure with minimum
3" fiberglass insulation

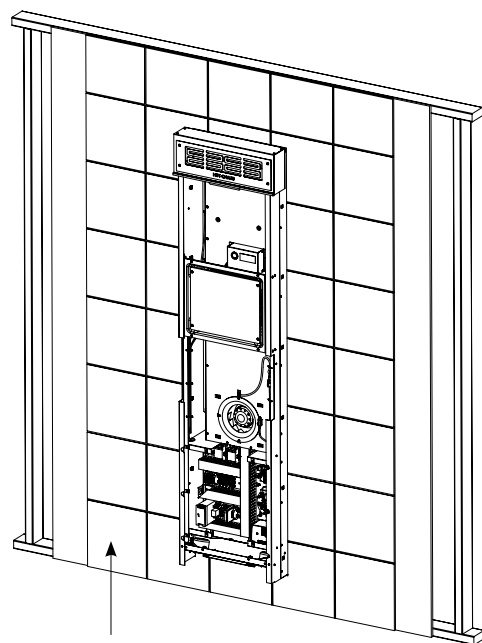
1/2" to 1" finishing

Mounting bracket

Silicone



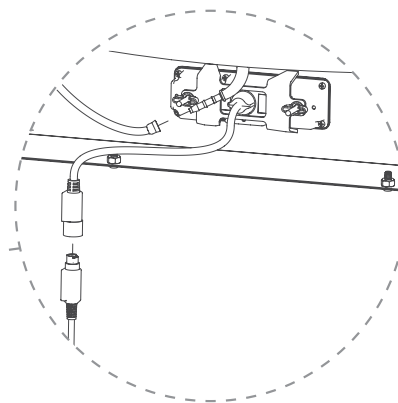
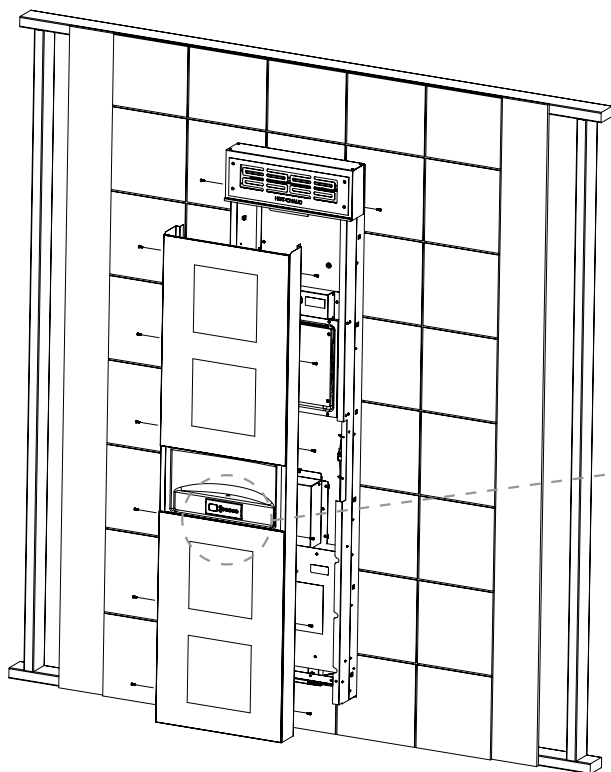
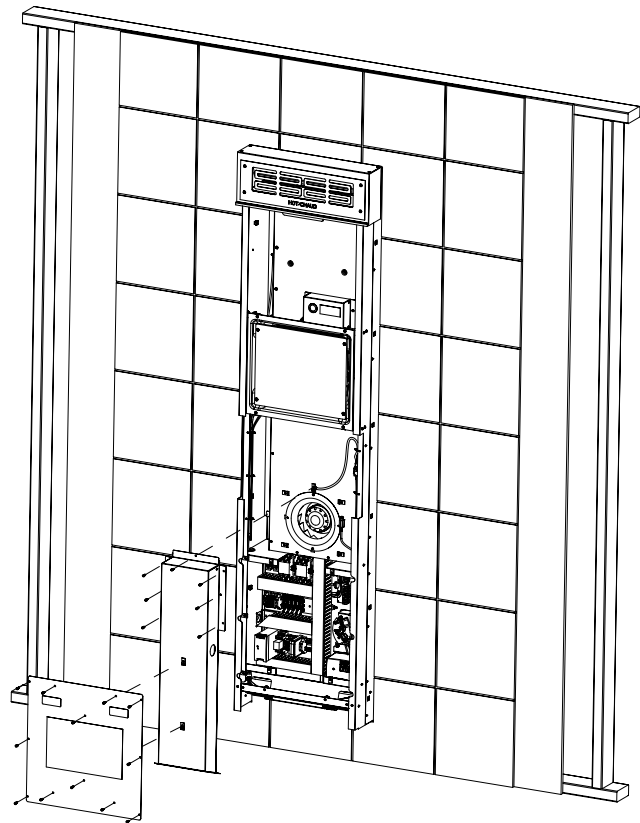
Epoxy grout
(advised)



WARNING

- Install ceramic according to industry standards.
- Never drill into the Vedana® structure, but only into the expressly designated places.

FRONT PANEL INSTALLATION, CONTROL AND
AROMATHERAPY TUBE CONNECTIONS



Hook up aromatherapy tube
and control cable

WARNING

- Use a hand-held screwdriver to avoid damaging the front panel.
- Make sure to properly secure in place the 14 screws of the front panel.
- Connect and test the control before final installation.

INSTALLING WARNING SIGN



WARNING

TO REDUCE THE RISK OF HYPERTHERMIA

1. Exit immediately if uncomfortable, dizzy or sleepy. Staying too long in space where the air is hot can cause hyperthermia (overheating).
2. Supervise children at all times.
3. Obtain physician's approval if pregnant, under medical care or in poor health, especially if presenting the following health problems: cardiovascular disease, kidney failure requiring dialysis or a history of heat stroke.
4. Breathing heated air in conjunction with consumption of alcohol, drugs or medication may cause unconsciousness.
5. Drink water before, during and after the therapy to avoid dehydration.
6. Use the therapeutic system gradually.

USING MIAPLUS® CONTROL

WHAT THE SYMBOLS MEAN

	On / Off
	Scroll through the functions
	Navigate within the functions
OK	Confirm a choice
	Home

NOTES

1. ThermoTherapy®

Select **Activate** and press **OK** to begin ThermoTherapy. Pressing **Deactivate** will cause heat to lessen gradually depending on how well the area is insulated. Use the **Comfort** option to hold a desired temperature at any point. Make sure to select **Activate** again

2. Source

The default audio source is the **BU list**, a playlist chosen by BainUltra. You can listen to your own music using an SD card and the **"Pers List"** option. However, your MP3 player must be connected to an **external** source such as a multipiece sound system or other device.

3. Lock

Use to select the **Activate** option and press **OK** to confirm your choice. When you stop the Vedana, the **Lock** function can be used to prevent it from starting unexpectedly or accidentally. To **unlock** it, press the key. **"Lock"** will be displayed on the screen—press **OK**. Then press the on the menu until the **Lock** function appears. Using the , select the **Deactivate** option and then **OK**.

4. User

You can set Vedana functions and options according to your preferences and save them as **"User 1," "User 2,"** and so on. Use the to select a user number, then press **OK**.

EXPERIENCES

FREEDOM → Play
 HARMONY → Pause
 WONDER → Stop
 LOVE → Volume

SESSIONS

ECHO → Play
 VIVERE → Pause
 → Stop
 → Volume



CARES ◀ ▶



- AROMA → Activate → Intensity 1
Deactivate → Intensity 2
Intensity 3

- THERMO⁽¹⁾ → Activate
Deactivate
Comfort

- CHROMA → Off
Violet
Blue
Green
Yellow
Orange
Red
Scan
Pause

- LUMINO → Activate
Deactivate

- SOUND → Stop
Play/Pause
Next
Previous
Volume
Playlist → All
Ambiance
Nature
Classic
Mode → Continue
Shuffle
Repeat
Source⁽²⁾ → BU List
Pers List
External
Equalizer → Off
Classic
Rock
Pop
Jazz
Vocal
Speakers → Activate
Deactivate

SETTINGS



- USER⁽⁴⁾ → User 1 → Save User 1
User 2 → Save User 2
User 3 → Save User 3
User 4 → Save User 4

- CONTRAST

- LOCK⁽³⁾ → Activate
Deactivate

- LANGUAGE → English
Français
Espanol

- REACH US

MAINTENANCE

POLYCARBONATE AND STAINLESS STEEL

TECHNICAL INFORMATION

- Front panels are made of polycarbonate and support posts of stainless steel.

MAINTENANCE

- Clean polycarbonate and stainless steel with a mild non-abrasive product.

THERMOTHERAPY® SYSTEM / AIR FILTER

TECHNICAL INFORMATION

- The air filter is found under the Vedana®.

FREQUENCY

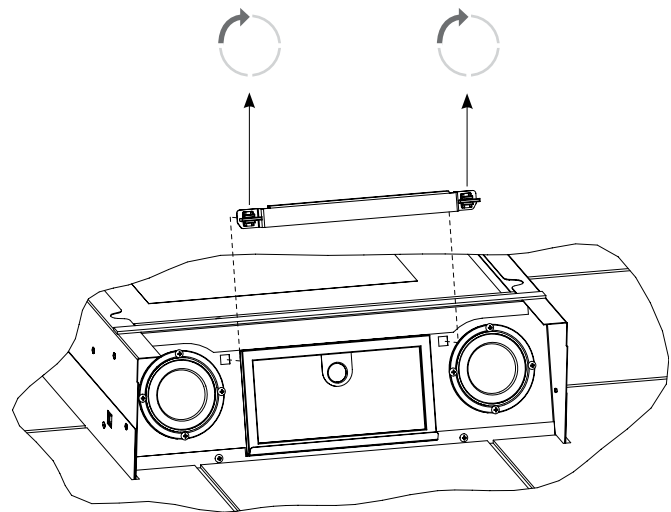
- The air filter must be cleaned once a month.
- More frequent cleaning may be required depending on use and surrounding environment.

MAINTENANCE

- The air filter must be cleaned with water and mild soap. It is dishwasher safe.

LIGHT THERAPY® SYSTEM

Your Light Therapy® is generated by LED light, so no maintenance is required.



MAINTENANCE

NEBULIZER / ESSENTIAL OIL DIFFUSER
TECHNICAL INFORMATION

- The diffuser receptacle is made of polycarbonate.
- Essential-oil must be used in the diffuser only.
- The diffusion nebulizer is made of glass.
- Never over fill the diffuser.
- Use diffuser only with quality essential oil and avoid buying low-quality oil that could damage the Vedana®.

FREQUENCY

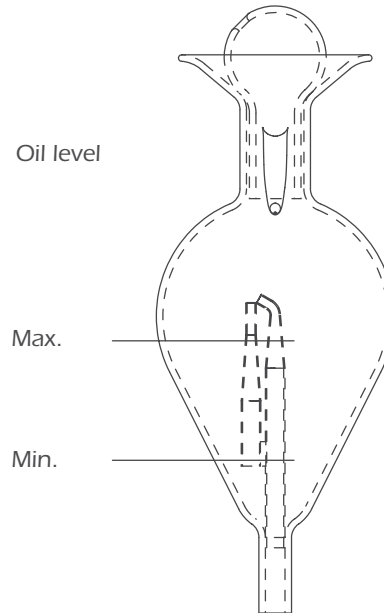
- Add oil before each use.
- Be careful not to overfill nebulizer.

MAINTENANCE

- Wash receptacle with water and vinegar after each use and let nebulizer run empty for a few seconds to dry.
- If the essential oil mixture is left in the nebulizer for more than 48 hours, diffusion may be compromised by oxidation-reduction caused by contact with the air. If this occurs, discard the adulterated essential oil, clean the nebulizer, and refill with your favourite essential oil mixture.
- If any essential oil spills on the Polycarbonate, clean with a non-abrasive cleaner immediately.

SAFETY INSTRUCTIONS

- See page 5 for safety instructions.



TROUBLESHOOTING

CONTROL

SITUATIONS	POSSIBLE ISSUES	POSSIBLE SOLUTIONS
It will not start.	<ul style="list-style-type: none"> ▪ The circuit interrupter (GFCI) is not "ON" in the electrical panel. ▪ The fuse (FU1) is burnt. 	<ul style="list-style-type: none"> ▪ Make sure the circuit interrupter (GFCI) is "ON". ▪ Replace the fuse (5 Amp).

FAN

SITUATIONS	POSSIBLE ISSUES	POSSIBLE SOLUTIONS
It will not start.	<ul style="list-style-type: none"> ▪ The fuse (FU2) is burnt. ▪ The manual thermal protection has been tripped. 	<ul style="list-style-type: none"> ▪ Replace the fuse (1 Amp). ▪ Please contact BainUltra®.
It vibrates or makes noise.	<ul style="list-style-type: none"> ▪ The air filter under the unit has not been put back in place and an object could have been vacuumed. 	<ul style="list-style-type: none"> ▪ Please contact BainUltra®.
It turns off before the end of the therapy and will not start again.	<ul style="list-style-type: none"> ▪ The manual thermal protection has tripped related to a major problem. The fan then stops immediatly. 	<ul style="list-style-type: none"> ▪ Please contact BainUltra®.

THERMOTHERAPY®

SITUATIONS	POSSIBLE ISSUES	POSSIBLE SOLUTIONS
The fan works but heat does not get out from the air outlet.	<ul style="list-style-type: none"> ▪ The system is in a cooling process. The fan works for three minutes after the heating element stops to allow the system to cool down before its complete stop. 	<ul style="list-style-type: none"> ▪ Wait three minutes and the fan will stop.
The temperature is not constant or the performances of the unit slow down.	<ul style="list-style-type: none"> ▪ The air filter under the unit could be blocked. 	<ul style="list-style-type: none"> ▪ Clean the air filter frequently.

SOUND THERAPY®

SITUATIONS	POSSIBLE ISSUES	POSSIBLE SOLUTIONS
<p>No sound is coming out of the speakers and the green light on the MP3 is off.</p>	<ul style="list-style-type: none"> ▪ Speakers deactivated. ▪ Communication problem between the MP3 and the control (no files appeared in the musical playlist). ▪ The chromatherapy module will not work either. 	<ul style="list-style-type: none"> ▪ Make sure the speakers are activated in the Sound menu. ▪ Make sure the MP3 is supplied with electricity. ▪ Make sure the connector mini-DIN behind the MP3 is well plugged in. ▪ Reboot the MP3 and Vedana®. ▪ Please contact BainUltra®.
<p>No sound is coming out of the speakers but the green light on the MP3 is on.</p>	<ul style="list-style-type: none"> ▪ The player is at "STOP" or "PAUSE". ▪ There is not music in the selected source (external source or personal musical selections). ▪ Communication problem between the MP3 and the control (no files appeared in the musical playlist). ▪ The speakers wires are not plugged in in the MP3. 	<ul style="list-style-type: none"> ▪ Press "STOP" and then "PLAY". ▪ Select in the menu Source: BU List. Then press "Play". ▪ Make sure the connector mini-DIN behind the MP3 is well plugged in. ▪ Reboot the MP3 and Vedana®. ▪ Remove the MP3 from the wall, make sure the 2 RCA wires are well connected into the MP3.

AROMATHERAPY

SITUATIONS	POSSIBLE ISSUES	POSSIBLE SOLUTIONS
<p>It will not start.</p> <p>* Make sure that the small opening on the top of the nebulizer is positioned opposite the user.</p>	<ul style="list-style-type: none"> ▪ The AROMATHERAPY function is not activated. ▪ The level of essential oil in the nebulizer is insufficient. 	<ul style="list-style-type: none"> ▪ Make sure the AROMATHERAPY function is activated. ▪ Make sure the diffusion nebulizer is filled to its functional level (see page 21).