

# TUB & SHOWER

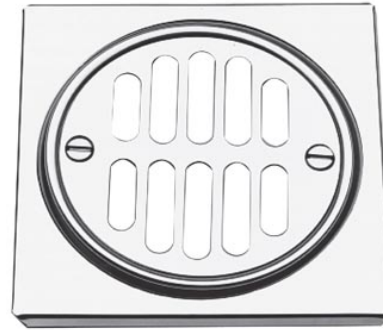
## Shower Drain Trim Set

# 231

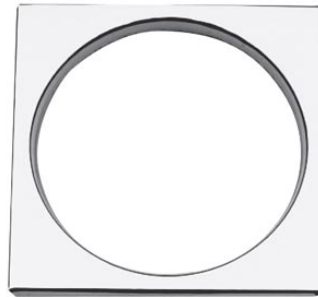
Also 233

### Features

- Solid Brass Construction
- Fits Plumbing Products drains
- Includes square tile, grill, trim crown and screws
- Screw holes 2-7/8" center to center
- 4- 1/4" Tile Square with 3- 5/8" diameter opening
- Complements various product series



231



233

### Codes / Standards Compliance

Meets or exceeds the following at date of manufacture:

- All applicable US Federal and State material regulations

### Colors / Finishes

- 10B: Oil Rubbed Bronze
- 15: Polished Nickel
- 15S: Satin Nickel - PVD
- 26: Polished Chrome
- Other: Refer to the Newport Brass catalog for additional color/finish options.

### Specified Model

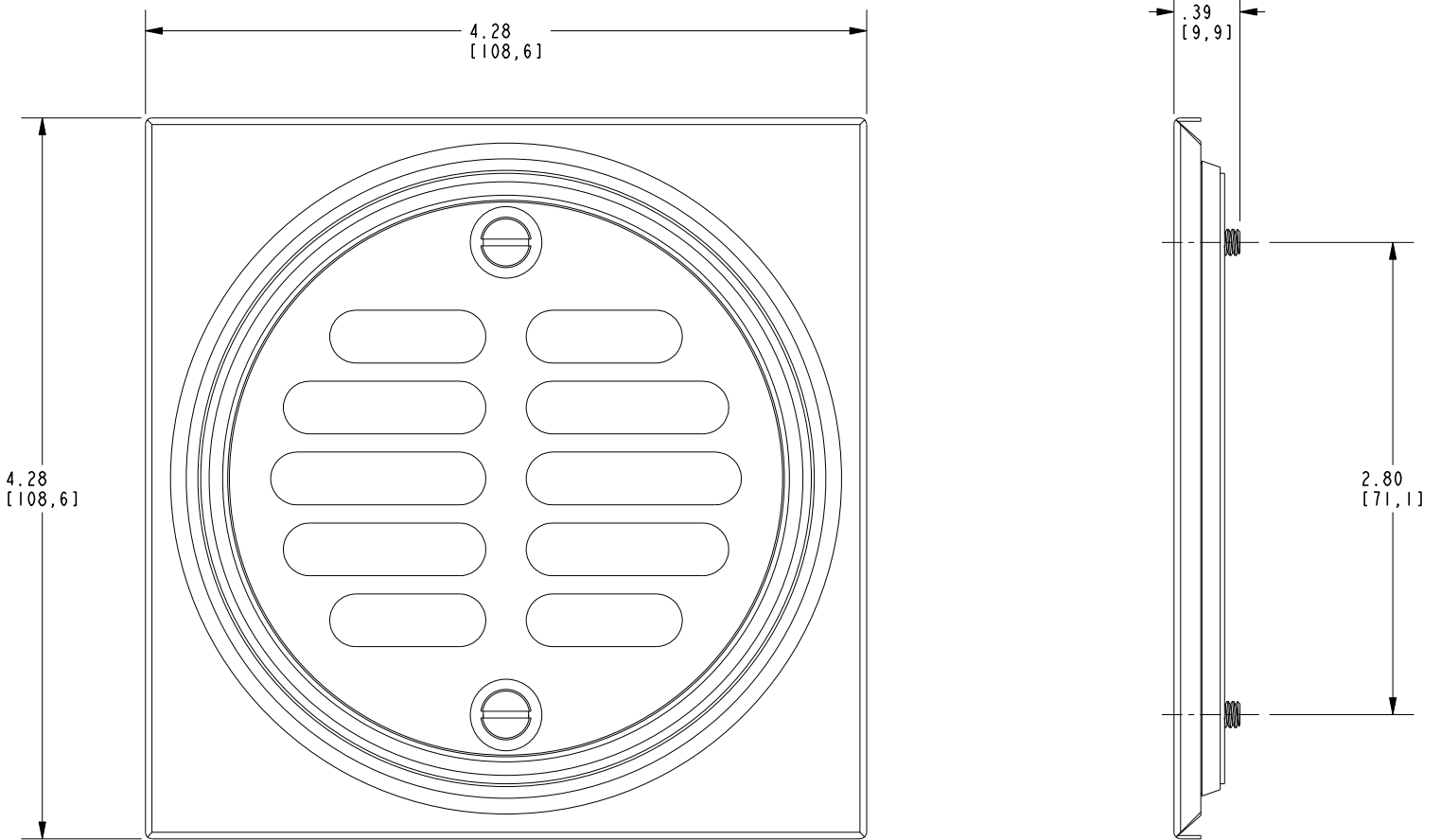
Model	Description	Colors   Finishes				
231	Shower Drain Trim Set	<input type="checkbox"/> 10B	<input type="checkbox"/> 15	<input type="checkbox"/> 15S	<input type="checkbox"/> 26	<input type="checkbox"/> Other
233	Replacement Shower Drain Square Tile	<input type="checkbox"/> 10B	<input type="checkbox"/> 15	<input type="checkbox"/> 15S	<input type="checkbox"/> 26	<input type="checkbox"/> Other

### Product Specification Add "Color / Finish" suffix to Model number, below.

The Shower Drain Trim Set shall be made of solid brass construction. Product is designed to fit Plumbing Products drains. Product shall feature 2-7/8" center to center screw holes and include square tile, grill, trim crown and screws. The Shower Drain Trim Set shall be Newport Brass Model 23\_\_/\_\_\_\_.

# 231

## PRODUCT DIMENSIONS *(Units are in inches)*



### Shower Drain Trim Set

## 231