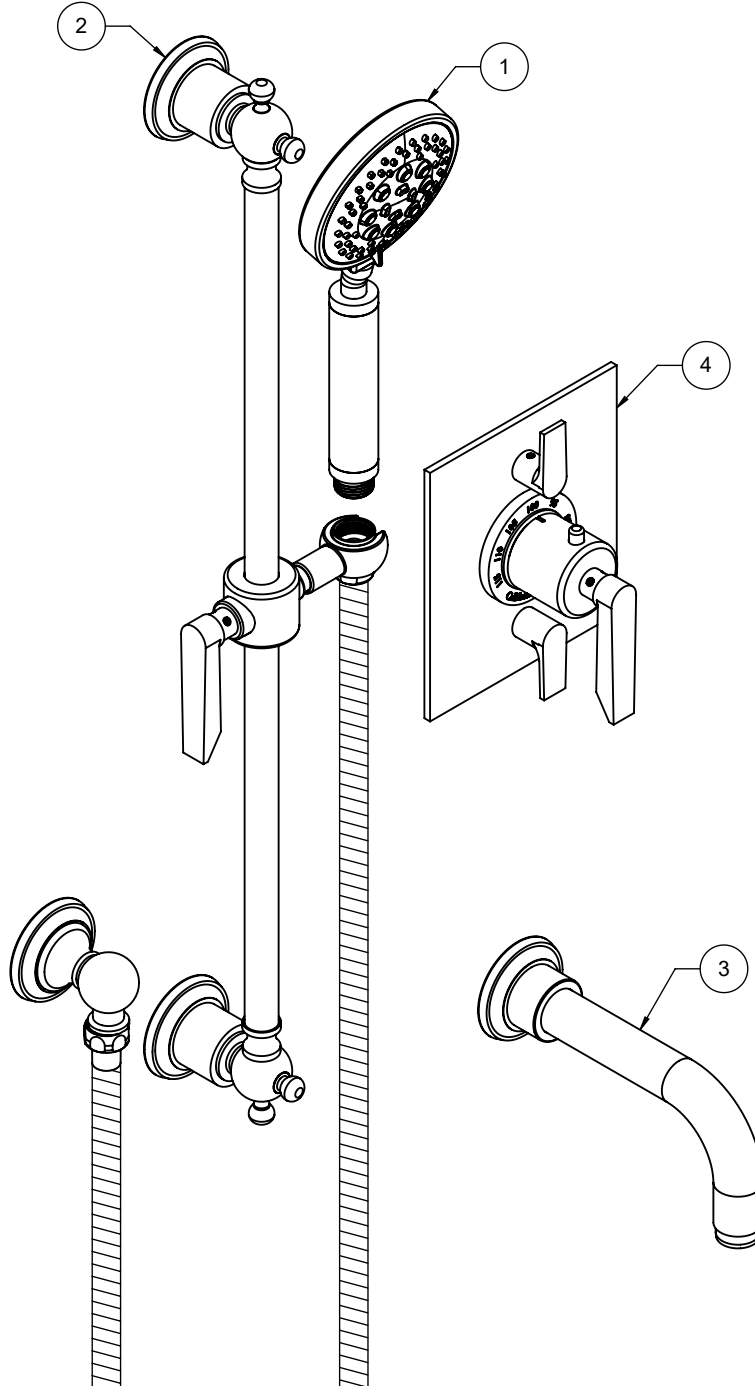




"ZZ" denotes finish, "FR" denotes flow rate

Item	Model	Description	Links
1	HS-083.FR-ZZ	4-1/8" Brass Multi-Function Handshower	Specification Sheet
2	9129-45-ZZ	Slide Bar Handshower Kit	Specification Sheet
3	TS-45-ZZ	Wall Tub Spout	Specification Sheet
4	TO-THF2L-45-ZZ	StyleTherm® Trim Only with Dual Volume Control	Specification Sheet





California Faucets®

Handshower

4-1/16" MULTI-FUNCTION CONTEMPORARY HANDSHOWER

Features

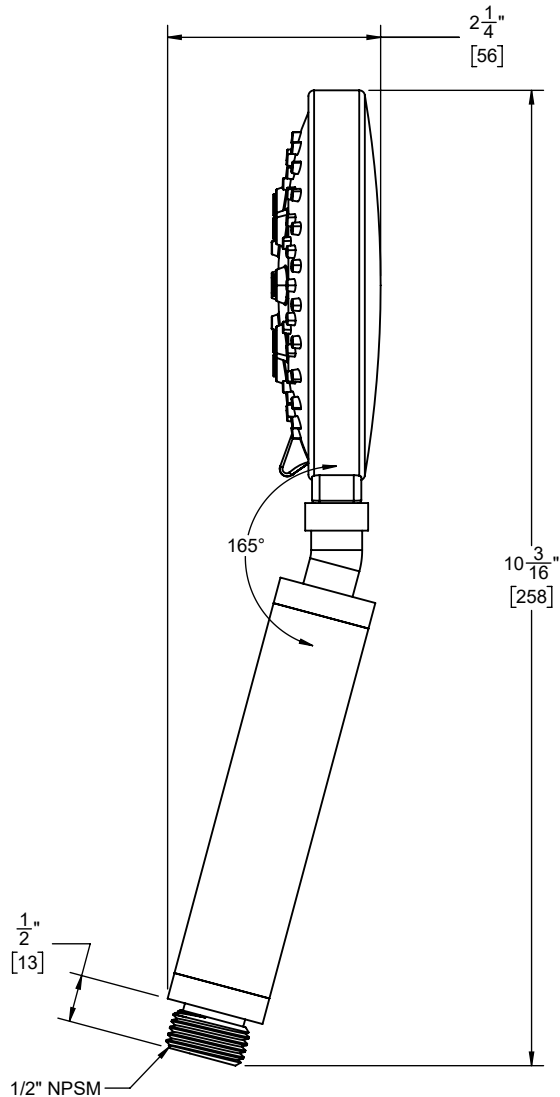
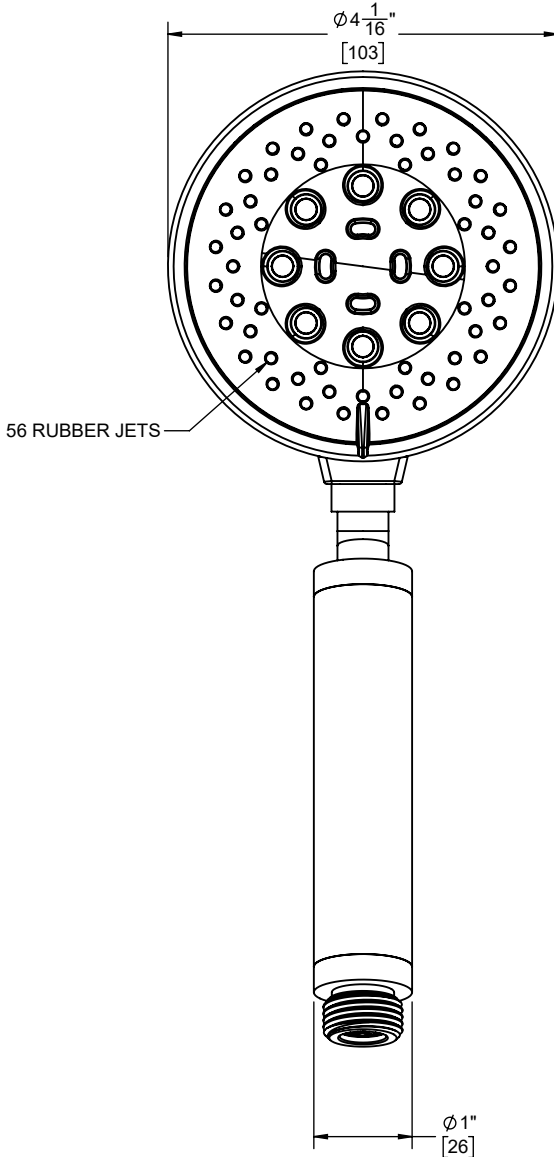
- 1/2" MIP inlet
- 3 function handshower: rain, air, & massage
- Self cleaning rubber jets
- Brass body
- 4-1/16" diameter, gray face
- Replace .FR with desired max flow rate:
 HS-083.25 for 2.5 gpm
 HS-083.20 for 2.0 gpm
 HS-083.18 for 1.8 gpm
- Over 28 finishes including 13 PVD finishes

Codes/Standards Applicable

Product meets or exceeds the following:

- ASME A112.18.1/CSA B125.1
- CEC (1.8 gpm)
- DOE (1.8, 2.0, & 2.5 gpm)
- Commonwealth of MA
- EPA WaterSense (2.0 gpm)

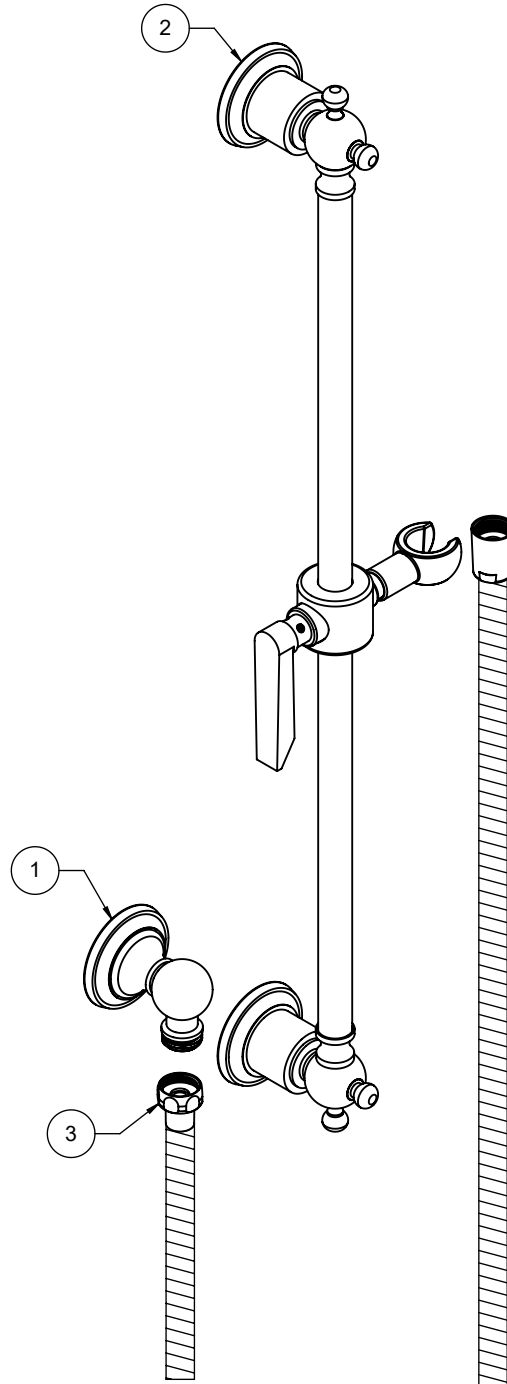
HS-083.18
HS-083.20
HS-083.25





"ZZ" denotes finish

Item	Model	Description	Links
1	SH-10-48-ZZ	Decorative Supply Elbow	Specification Sheet
2	SB-45-ZZ	Wall Mounted Slide Bar	Specification Sheet
3	HS-68-ZZ	68" Brass Hose for Handshower	Specification Sheet





California Faucets®

Rincon Bay™

Wall Tub Spout

TS-45

Features

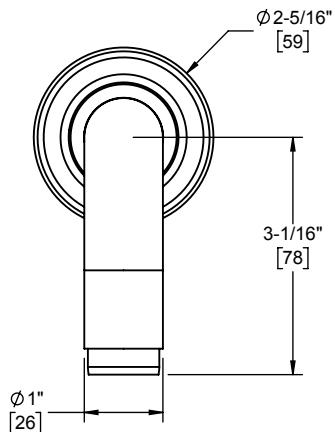
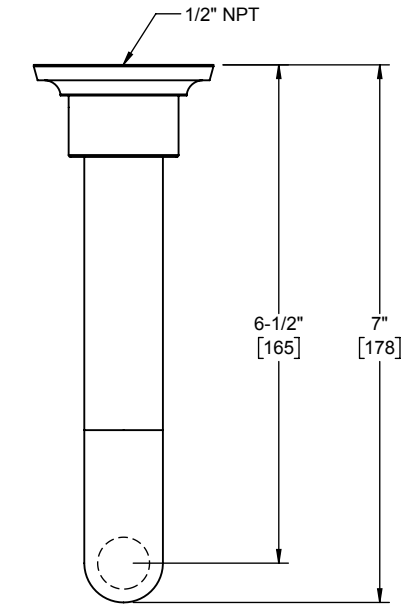
- Available in 28 finishes including 13 PVD finishes
- All brass construction
- Max flow rate: 16gpm (60.6 L/min)
- For use with StyleTherm, 3-VR or 2-VR valves



Codes/Standards

Product meets or exceeds the following:

- ASME A112.18.1/CSA B125.1



Through-Hole Specifications		
Min	Recommended	Max
Ø 1" [25]	Ø 1-1/4" [32]	Ø 1-9/16" [40]

Dimensions are inches, rounded to 1/16" [Dimensions in brackets are mm, rounded to 1mm]

Specifications subject to change without notice



California Faucets®

Rincon Bay™

STYLETHERM TRIM ONLY W/ DUAL VOLUME CONTROL

Features

- 100° F safety stop button with manual override
- 6" by 5-1/4" rectangular faceplate; flat profile
- Engraved brass temperature ring
- Dual integral volume controls
- All brass construction
- Over 30 finishes including 15 PVD finishes

Codes/Standards Applicable

Product meets or exceeds the following:

- ASME A112.18.1/CSA B125.1
- ASSE 1016
- ADA compliant (with lever handles)

TO-THF2L-45
TO-THF2L-45X



TO-THF2L-45X SHOWN

