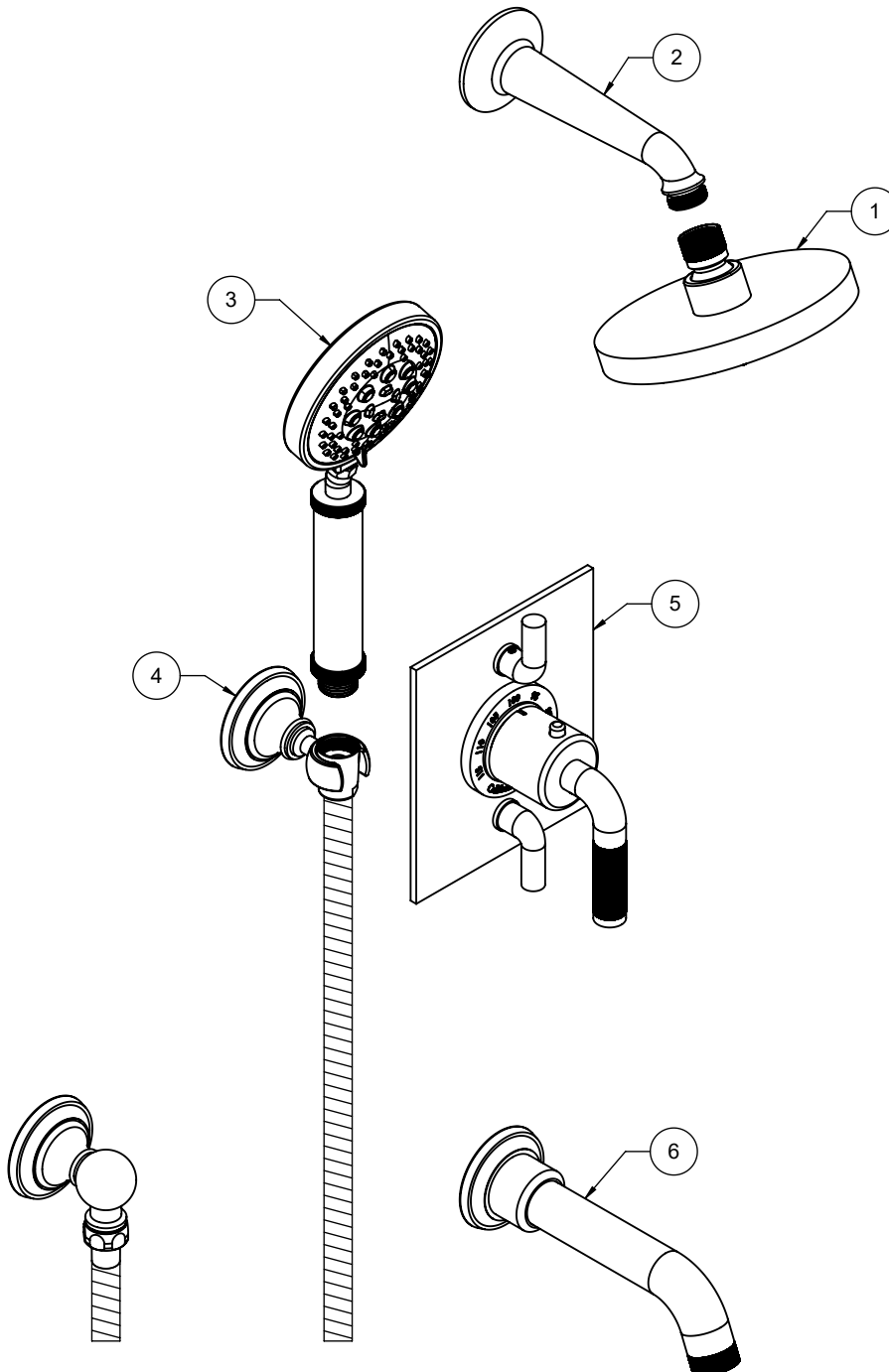




"ZZ" denotes finish, "FR" denotes flow rate

Item	Model	Description	Links
1	SH-083.FR-ZZ	5-5/8" Multi-Function Showerhead	Specification Sheet
2	SH-01.6-ZZ	One Piece 6" Shower Arm & Flange	Specification Sheet
3	HS-083-30K.FR-ZZ	4-1/16" Brass Multi-Function Handshower	Specification Sheet
4	9125-48-ZZ	Wall Mounted Handshower Kit	Specification Sheet
5	TO-THF2L-30K-ZZ	StyleTherm® Trim Only with Dual Volume Control	Specification Sheet
6	TS-30K-30-ZZ	Wall Tub Spout	Specification Sheet





California Faucets®

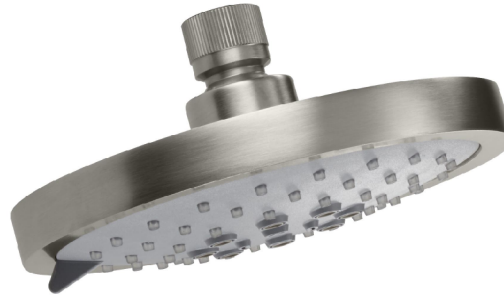
SHOWERHEAD

5-5/8" MULTI-FUNCTION CONTEMPORARY

Features

- 1/2" FIP inlet
- 3 function: rain, air & massage
- Self-cleaning rubber jets
- Solid brass pivot ball & body
- 5-5/8" diameter, gray face
- Available in 28 finishes including 13 PVD finishes
- Replace .FR with desired max flow rate:
SH-083.25 for 2.5 gpm
SH-083.20 for 2.0 gpm
SH-083.18 for 1.8 gpm

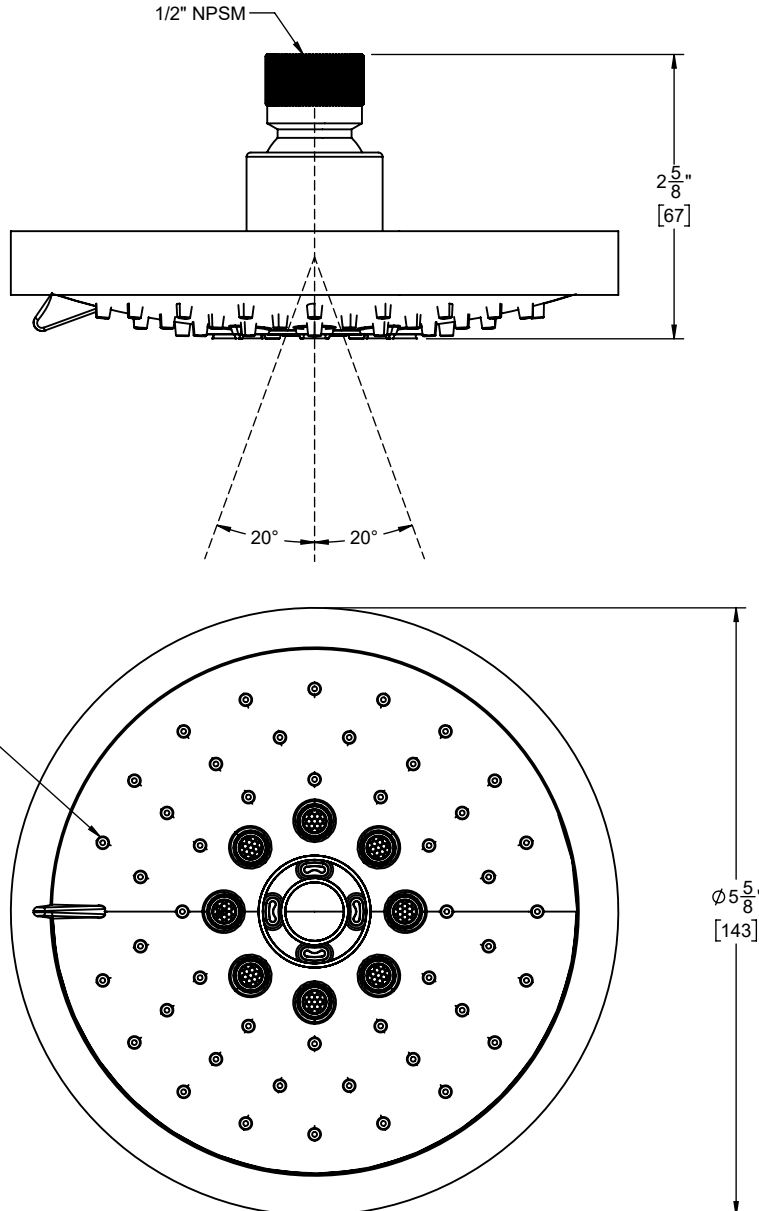
SH-083.25
SH-083.20
SH-083.18



Codes/Standards

Product meets or exceeds the following:

- ASME A112.18.1/CSA B125.1
- CEC (1.8 gpm)
- DOE (2.5, 2.0, & 1.8 gpm)
- Commonwealth of MA
- EPA WaterSense Showerhead (2.0 gpm)





California Faucets®

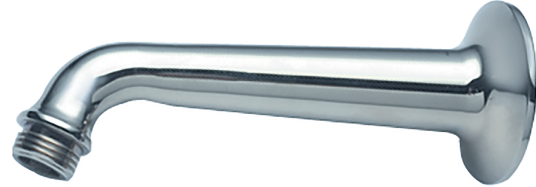
Shower Arm

One Piece 6" Shower Arm & Flange

Features

- Available in 28 finishes including 13 PVD finishes
- All brass construction

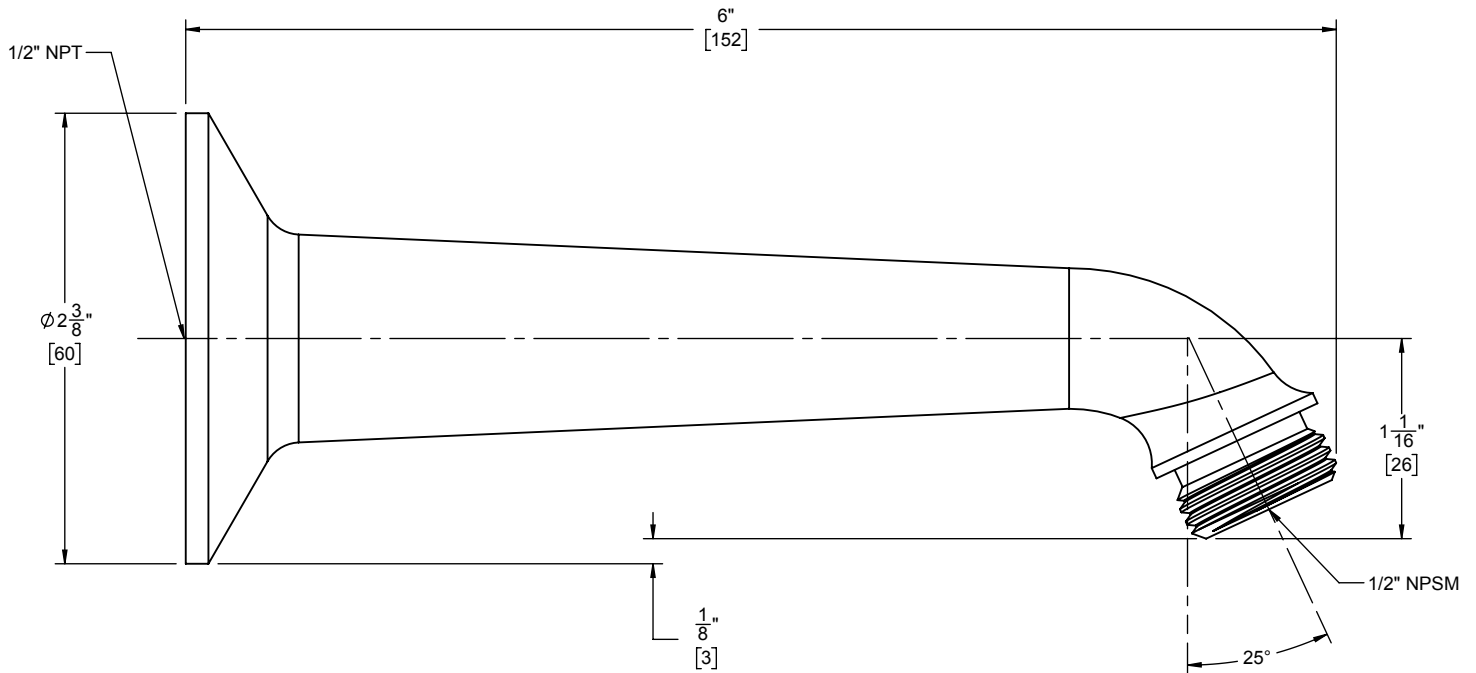
SH-01.6

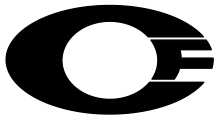


Codes/Standards

Product meets or exceeds the following:

- ASME A112.18.1/CSA B125.1





California Faucets®

Handshower

4-1/16" MULTI-FUNCTION DESCANSO® HANDSHOWER

Features

- 1/2" MIP inlet
- 3 function handshower: rain, air, & massage
- Self cleaning rubber jets
- Brass body
- 4-1/16" diameter, gray face
- Replace .FR with desired max flow rate:
 HS-083-30K.25 for 2.5 gpm
 HS-083-30K.20 for 2.0 gpm
 HS-083-30K.18 for 1.8 gpm
- Over 28 finishes including 13 PVD finishes

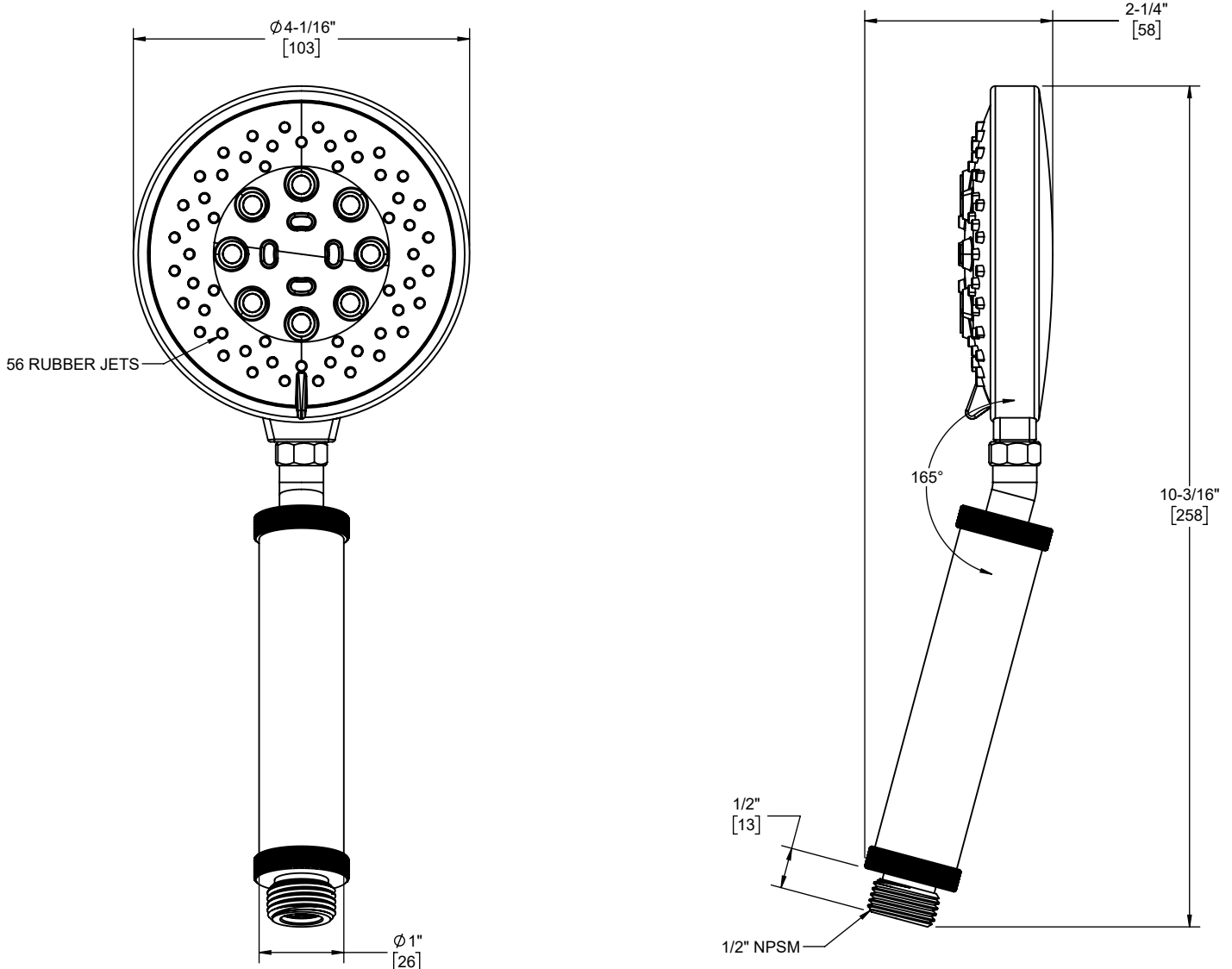
Codes/Standards Applicable

Product meets or exceeds the following:

- ASME A112.18.1/CSA B125.1
- CEC (1.8 gpm)
- DOE (1.8, 2.0, & 2.5 gpm)
- Commonwealth of MA
- EPA WaterSense (2.0 gpm)



HS-083-30K.18
HS-083-30K.20
HS-083-30K.25



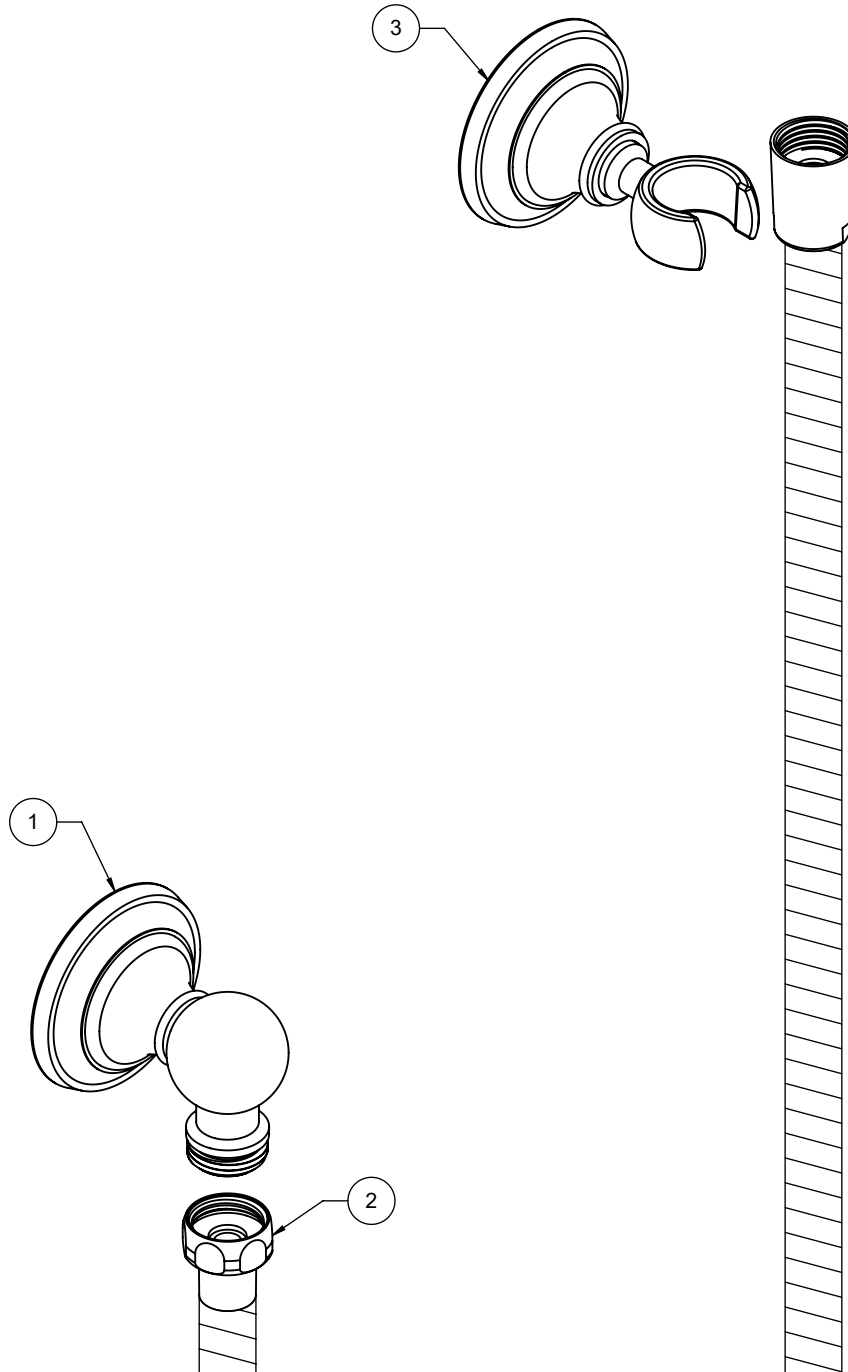
SPECIFICATIONS SUBJECT TO CHANGE WITHOUT NOTICE

ALL DIMENSIONS SHOWN TO NEAREST 1/16"
[ALL DIMENSIONS SHOWN TO NEAREST 1MM]



"ZZ" denotes finish

Item	Model	Description	Links
1	SH-10-48-ZZ	Decorative Supply Elbow	Specification Sheet
2	HS-68-ZZ	68" Brass Hose for Handshower	Specification Sheet
3	SH-20-48-ZZ	Decorative Wall Bracket	Specification Sheet





California Faucets®

Descanso™

STYLETHERM TRIM ONLY W/ DUAL VOLUME CONTROL

Features

- All brass construction
- 100°F safety stop button with manual override
- Dual integral volume control
- 6" by 5-1/4" rectangular faceplate; flat profile
- Less head, arm, flange and spout
- Engraved brass temperature ring
- Over 30 finishes including 15 PVD finishes

Codes/Standards Applicable

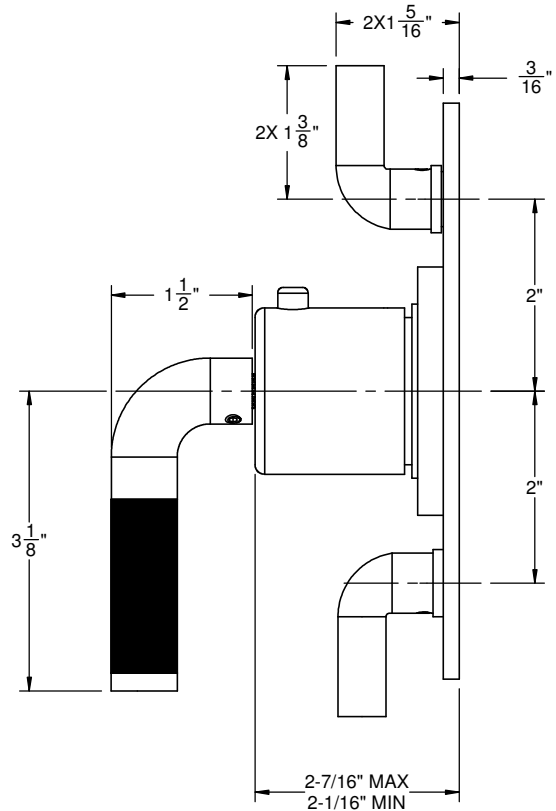
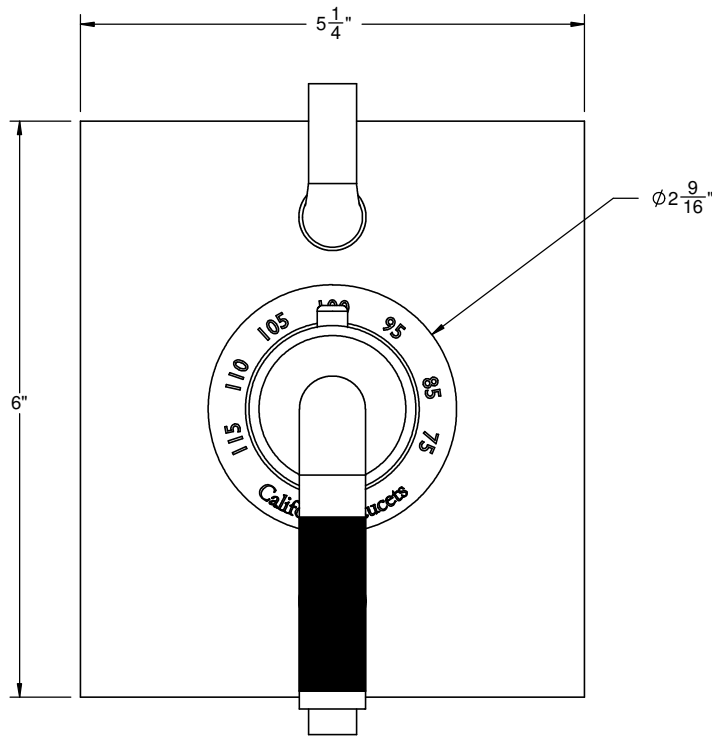
Product meets or exceeds the following:

- ASME A112.18.1/CSA B125.1
- ASSE 1016
- ADA compliant



**TO-THF2L-30K
TO-THF2L-30F**

(TO-THF2L-30K SHOWN)





California Faucets®

Descanso™

WALL TUB SPOUT

Features

- Maximum 6-7/16" wall to center
- Max flow rate: 16 gpm (60.6 L/m) at 60 psi
- For use with StyleTherm, 3-VR or 2-VR valves
- Solid brass construction
- Over 30 finishes including 15 PVD finishes

TS-30-30
TS-30K-30

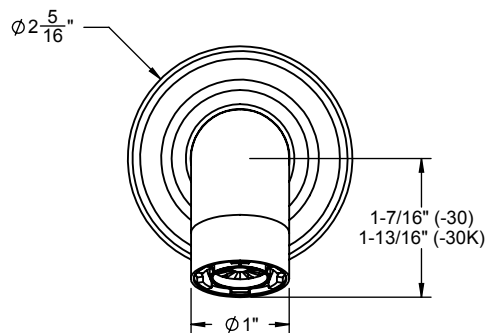
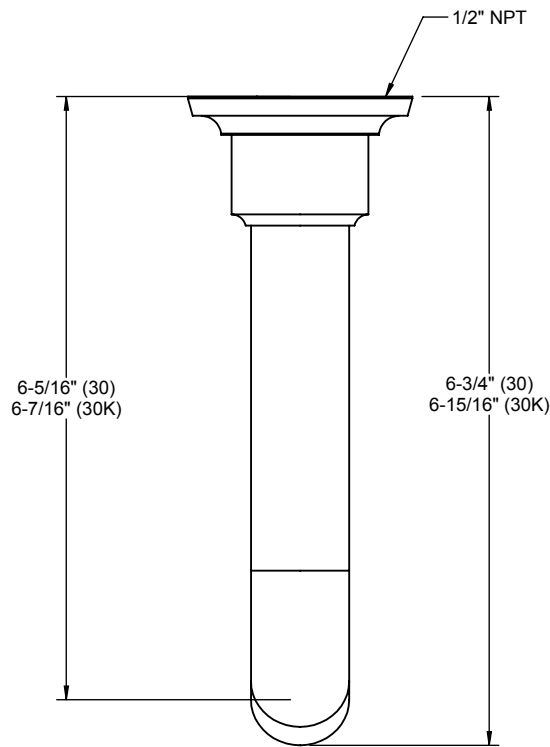


Codes/Standards

Product meets or exceeds the following:

- ASME A112.18.1/CSA B125.1

(TS-30K-30 SHOWN)



THROUGH-HOLE SPECIFICATIONS

	MIN	RECOMENDED	MAX
SPOUT: $\phi 1$ "		$\phi 1\text{-}1/4$ "	$\phi 1\text{-}9/16$ "