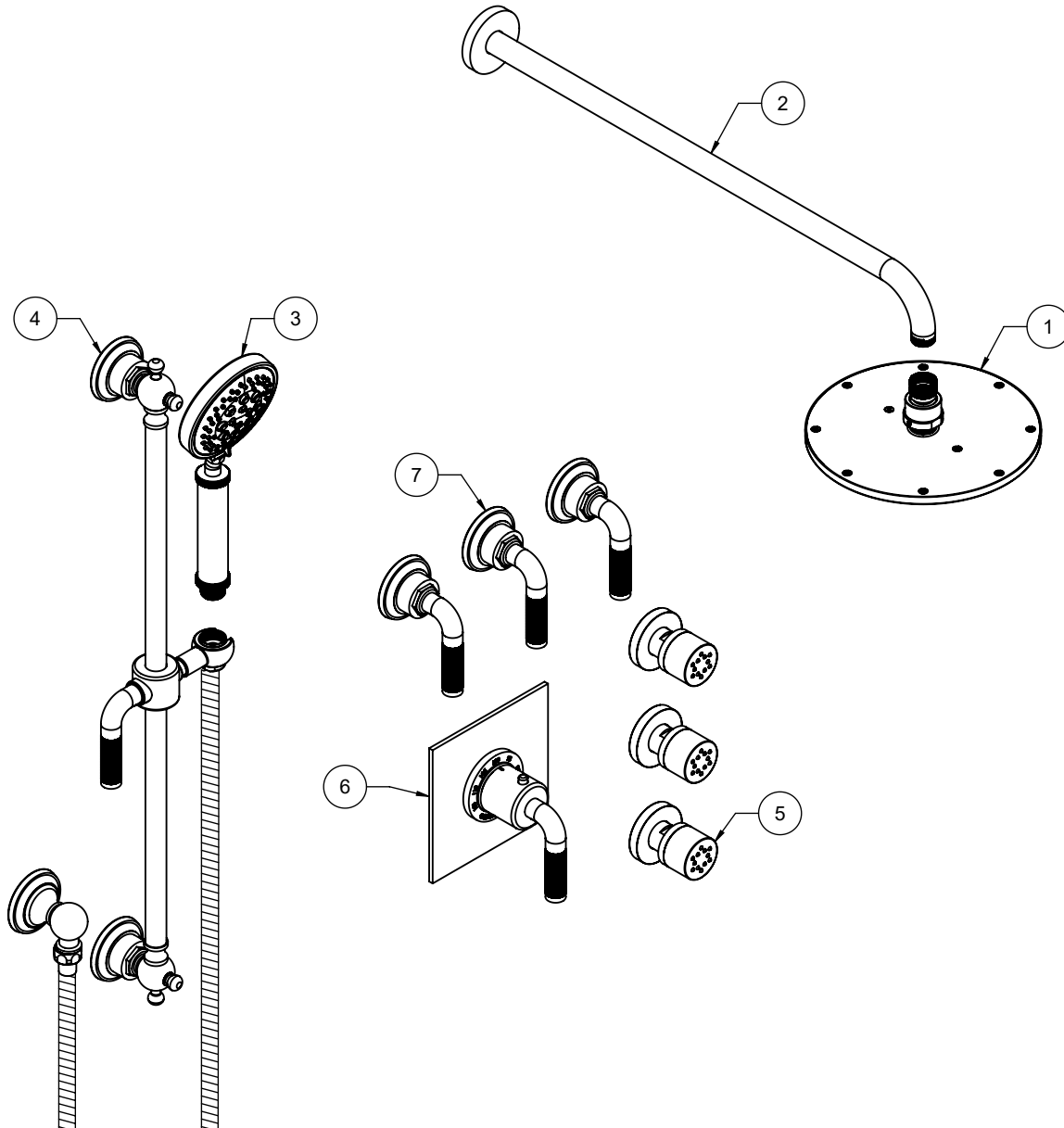
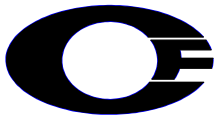




"ZZ" denotes finish, "FR" denotes flow rate

Item	Model	Description	Links
1	SH-162-8.FR-ZZ	8" Diameter Ultra-Thin Round Showerhead	<a href="#">Specification Sheet</a>
2	9113-65-ZZ	20" Wall Shower Arm	<a href="#">Specification Sheet</a>
3	HS-083-30K.FR-ZZ	4-1/16" Brass Multi-Function Handshower	<a href="#">Specification Sheet</a>
4	9129-30K-ZZ	Slide Bar Handshower Kit	<a href="#">Specification Sheet</a>
5	BS-65-ZZ	Self-Cleaning Jet Body Spray	<a href="#">Specification Sheet</a>
6	TO-THFN-30K-ZZ	StyleTherm® 3/4" Thermostatic Trim Only	<a href="#">Specification Sheet</a>
7	TO-30K-W-ZZ	Wall or Deck Handle Trim Only	<a href="#">Specification Sheet</a>





California Faucets®

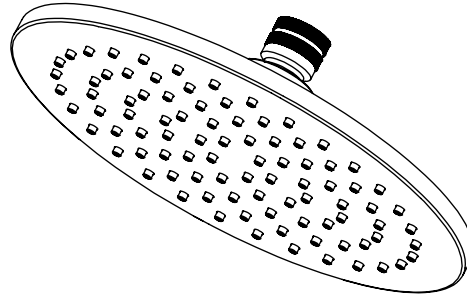
# SHOWERHEAD

8" ROUND CONTEMPORARY

## Features

- 1/2" FIP inlet
- 8" diameter
- Self-cleaning rubber jets
- Solid brass construction
- Over 30 finishes including 15 PVD finishes
- Replace .FR with desired flow rate:  
     SH-162-8.15 for 1.5 gpm  
     SH-162-8.18 for 1.8 gpm  
     SH-162-8.20 for 2.0 gpm  
     SH-162-8.25 for 2.5 gpm

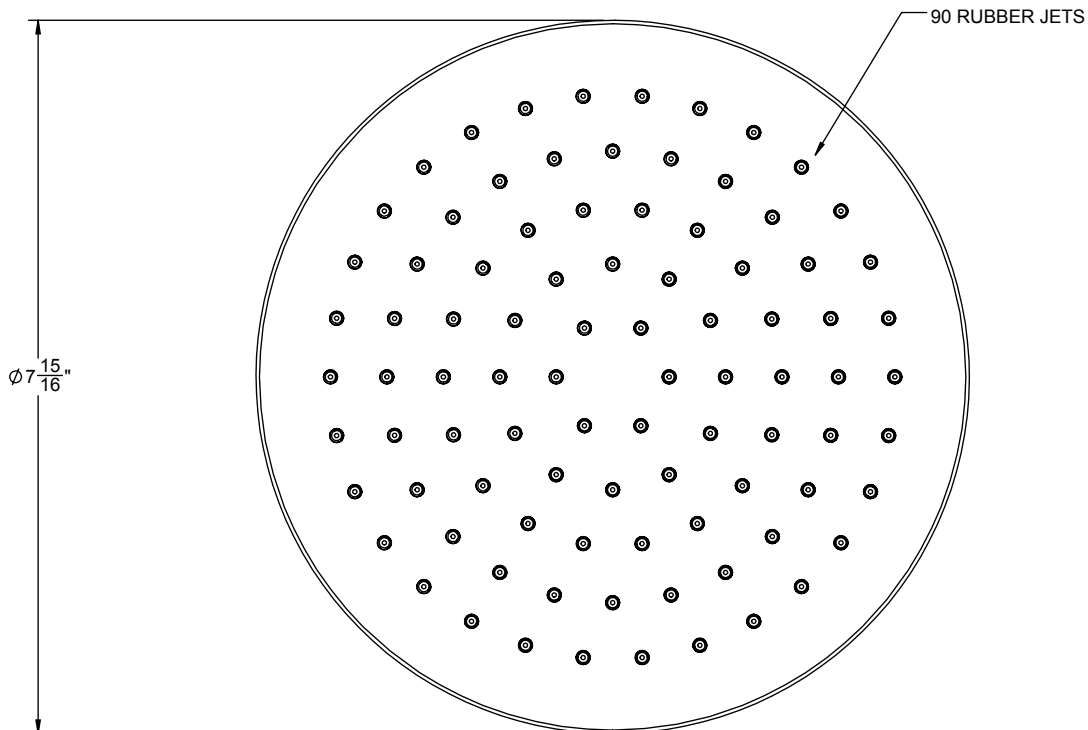
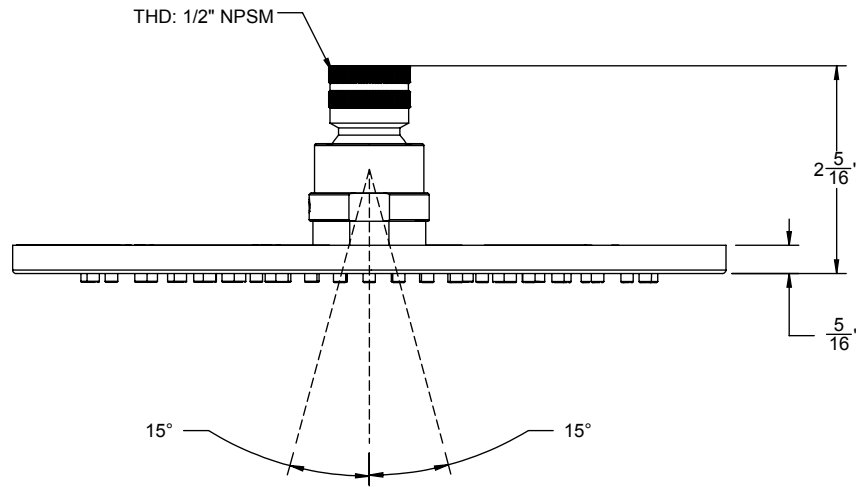
SH-162-8.15  
 SH-162-8.18  
 SH-162-8.20  
 SH-162-8.25



## Codes/Standards

Product meets or exceeds the following:

- ASME A112.18.1/CSA B125.1
- CEC (2.0, 1.8, 1.5 gpm)
- DOE (2.5, 2.0, 1.8, & 1.5 gpm)
- Commonwealth of MA





California Faucets®

# Shower Arms

## 20" Wall Shower Arm

### Features

- Available in 28 finishes including 13 PVD finishes
- All brass construction
- Includes adjustable flange

9113-60  
 9113-65  
 9113-77  
 9113-85

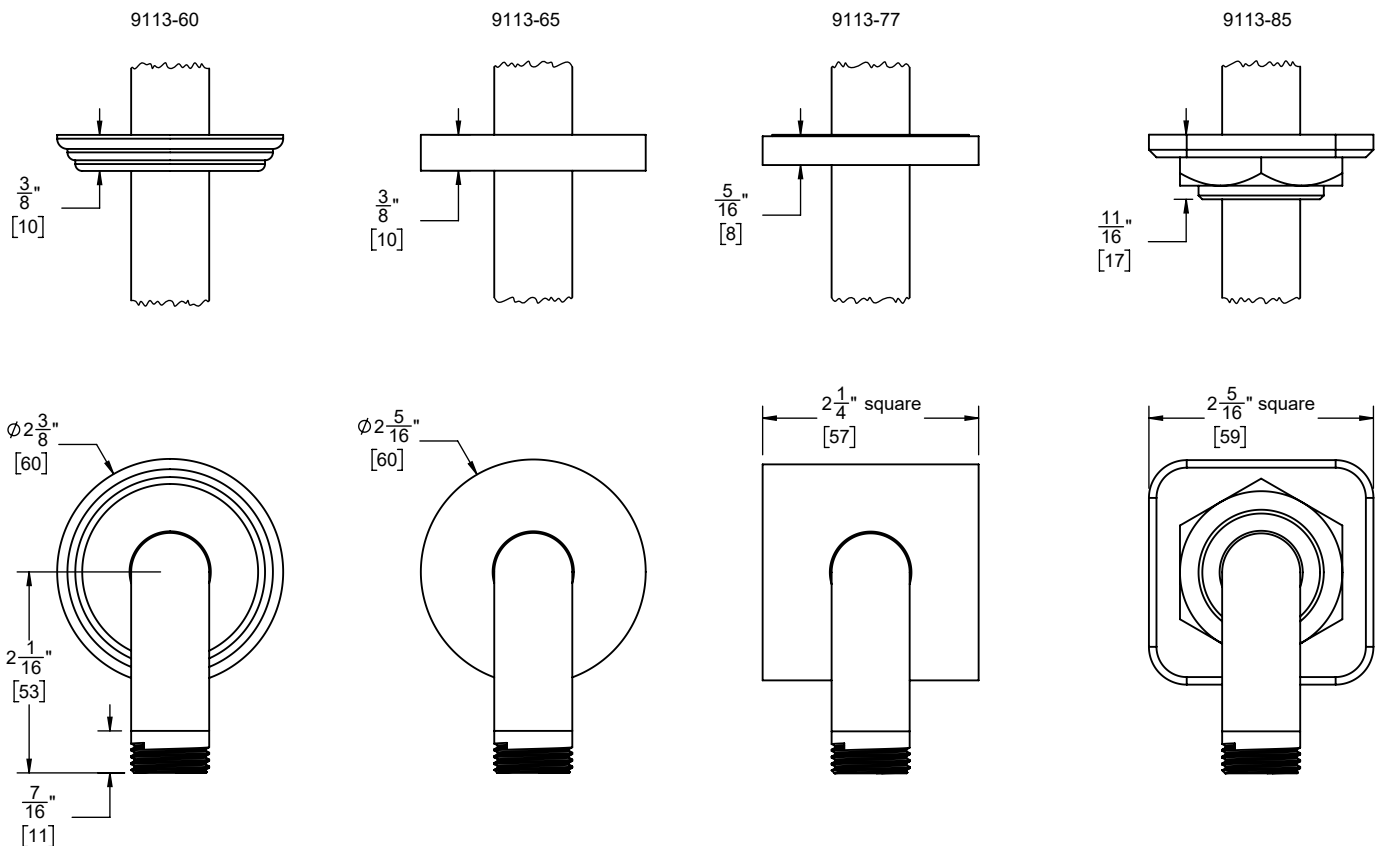
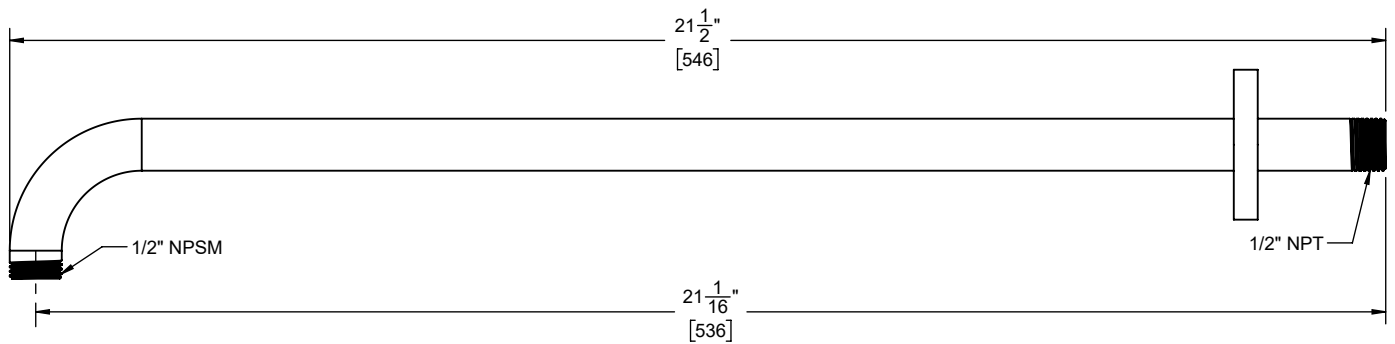


### Codes/Standards

Product meets or exceeds the following:

- ASME A112.18.1/CSA B125.1

9113-60-PC shown



Specifications subject to change without notice

Dimensions are inches, rounded to 1/16"  
[Dimensions in brackets are mm, rounded to 1mm]





California Faucets®

# Handshower

4-1/16" MULTI-FUNCTION DESCANSO® HANDSHOWER

## Features

- 1/2" MIP inlet
- 3 function handshower: rain, air, & massage
- Self cleaning rubber jets
- Brass body
- 4-1/16" diameter, gray face
- Replace .FR with desired max flow rate:  
     HS-083-30K.25 for 2.5 gpm  
     HS-083-30K.20 for 2.0 gpm  
     HS-083-30K.18 for 1.8 gpm
- Over 28 finishes including 13 PVD finishes

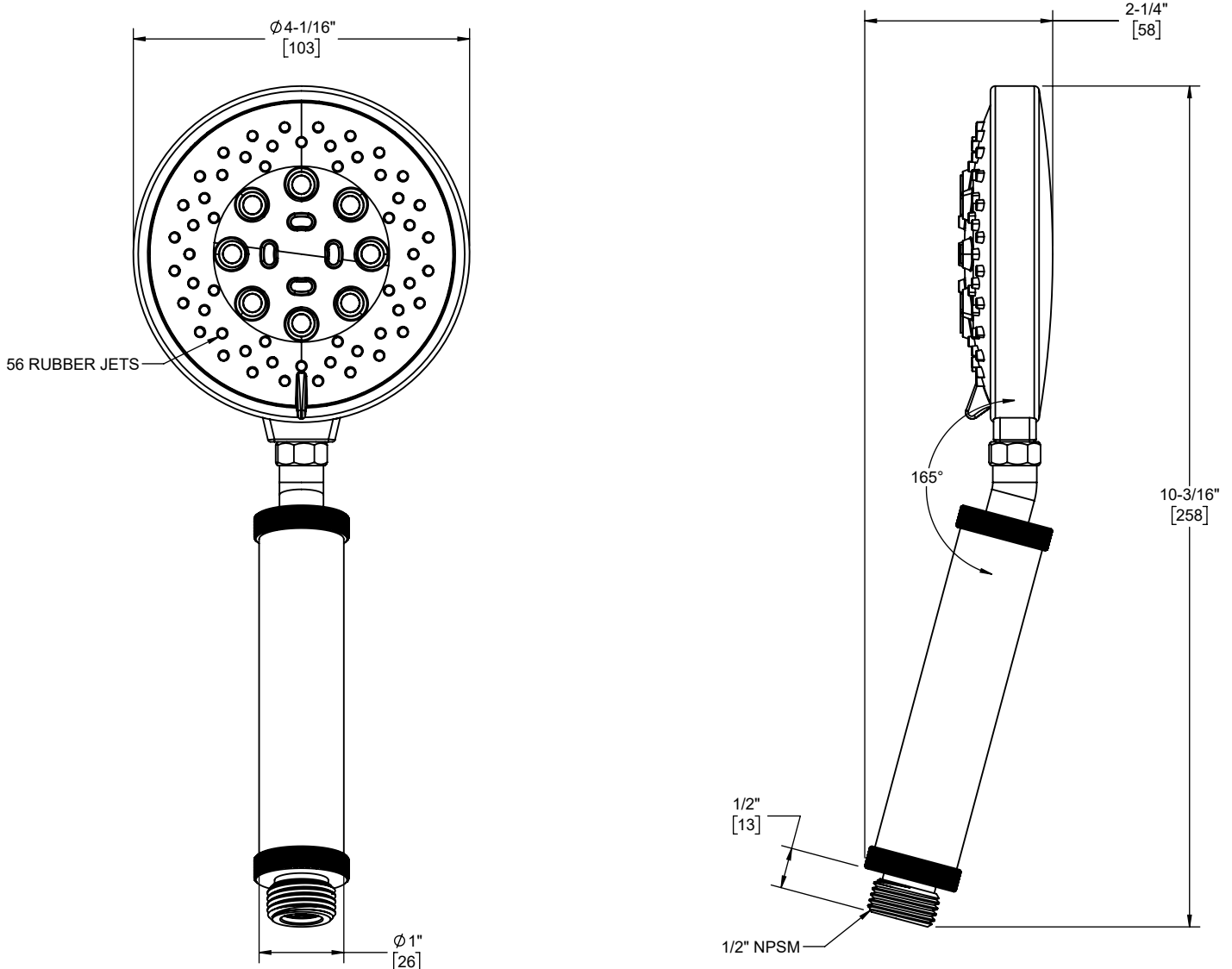
## Codes/Standards Applicable

Product meets or exceeds the following:

- ASME A112.18.1/CSA B125.1
- CEC (1.8 gpm)
- DOE (1.8, 2.0, & 2.5 gpm)
- Commonwealth of MA
- EPA WaterSense (2.0 gpm)

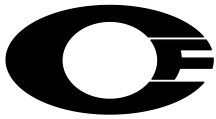


HS-083-30K.18  
HS-083-30K.20  
HS-083-30K.25



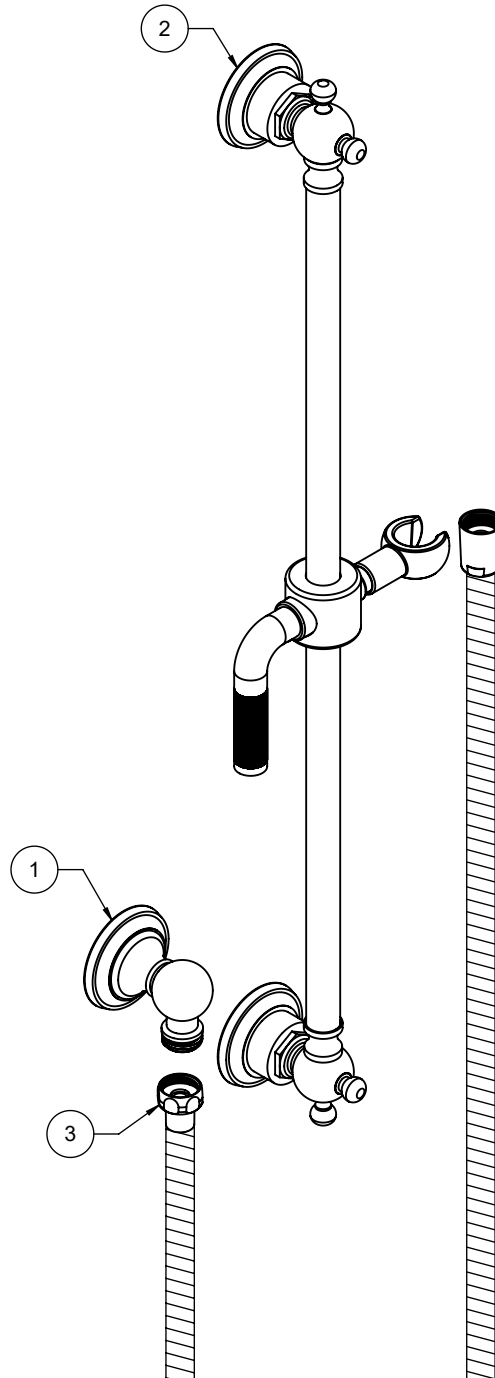
SPECIFICATIONS SUBJECT TO CHANGE WITHOUT NOTICE

ALL DIMENSIONS SHOWN TO NEAREST 1/16"  
[ALL DIMENSIONS SHOWN TO NEAREST 1MM]



"ZZ" denotes finish

Item	Model	Description	Links
1	SH-10-48-ZZ	Decorative Supply Elbow	<a href="#">Specification Sheet</a>
2	SB-30K-ZZ	Wall Mounted Slide Bar	<a href="#">Specification Sheet</a>
3	HS-68-ZZ	68" Brass Hose for Handshower	<a href="#">Specification Sheet</a>





California Faucets®

# Body Sprays

## Self-Cleaning Jet Body Spray

### Features

- Available in 28 finishes including 13 PVD finishes
- All brass construction

BS-60  
BS-65  
BS-70  
BS-77  
BS-85

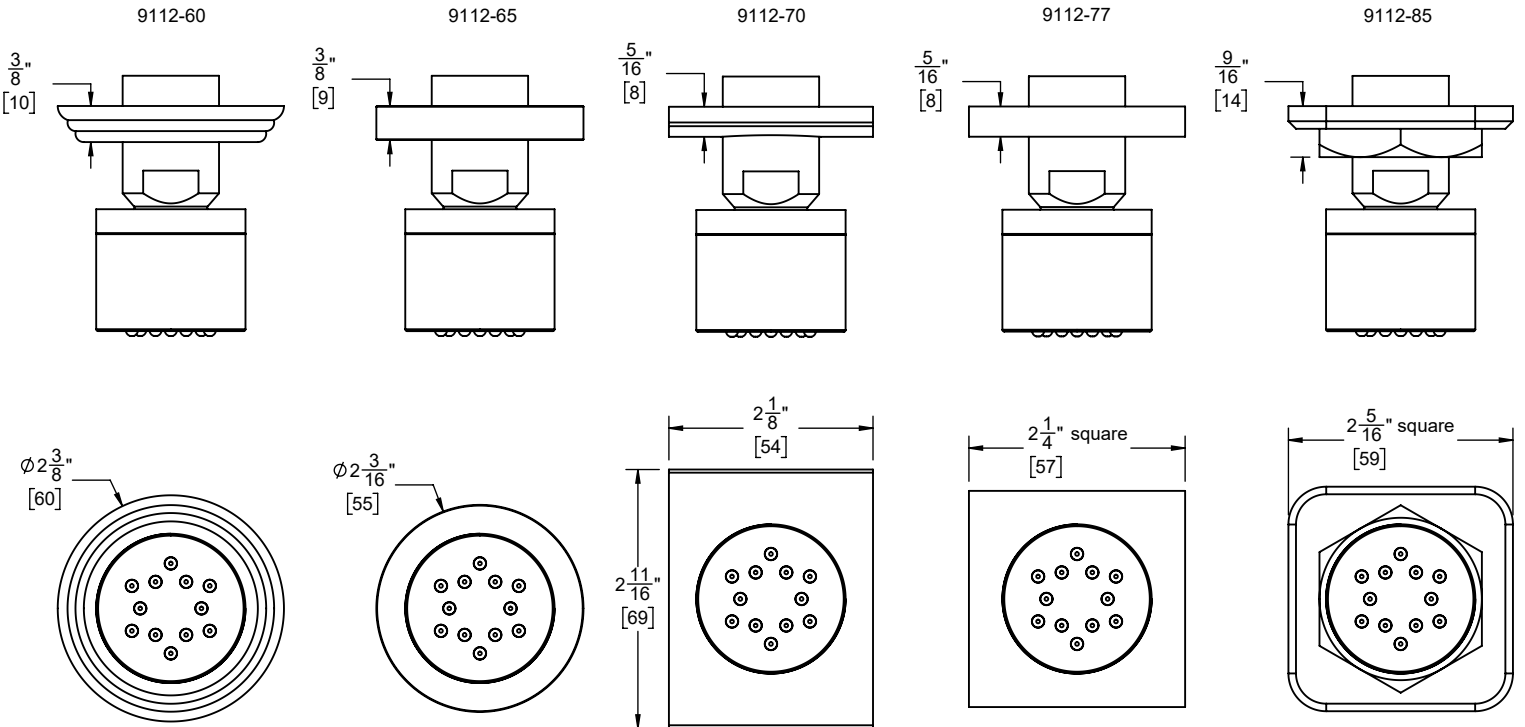
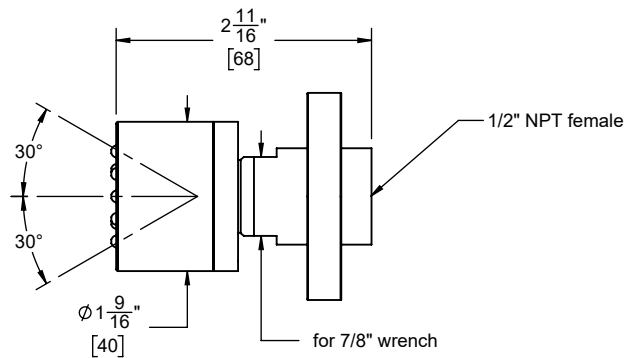


BS-65-PC shown

### Codes/Standards

Product meets or exceeds the following:

- ASME A112.18.1/CSA B125.1





California Faucets®

**Descanso™**

**STYLETHERM 3/4" THERMOSTATIC TRIM ONLY**

**Features**

- All brass construction
- 100°F safety stop button with manual override
- 5-1/4" square faceplate; flat profile
- Engraved brass temperature ring
- Over 30 finishes including 15 PVD finishes

**Codes/Standards Applicable**

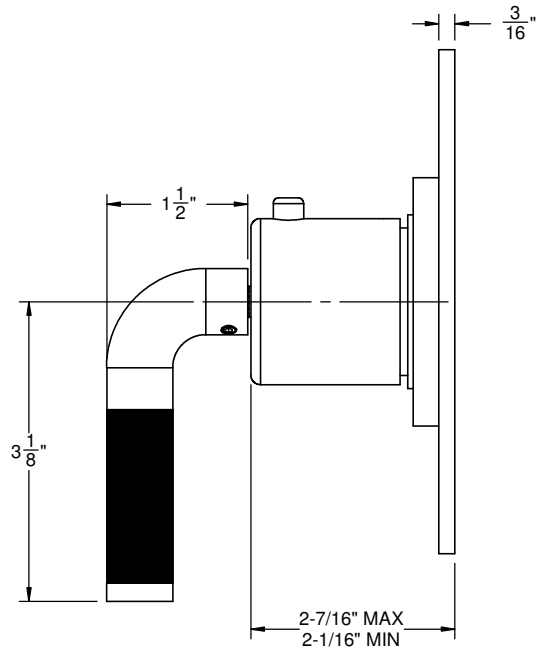
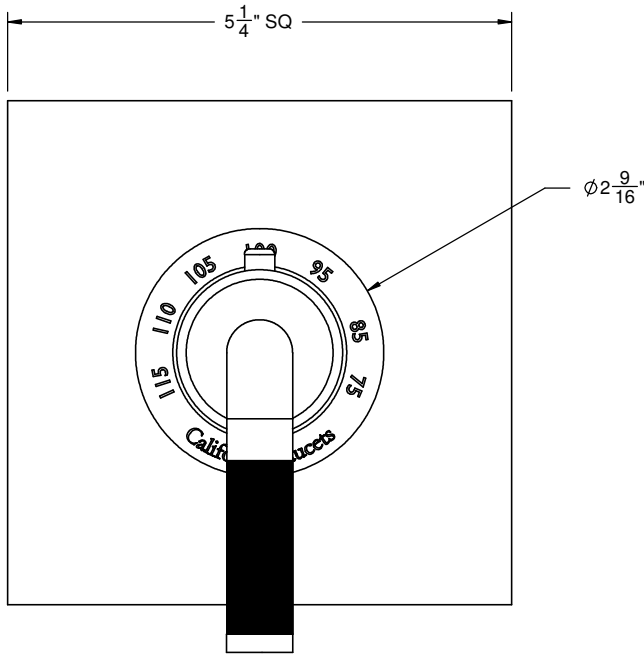
Product meets or exceeds the following:

- ASME A112.18.1/CSA B125.1
- ASSE 1016
- ADA compliant



**TO-THFN-30K  
TO-THFN-30F**

(TO-THFN-30K SHOWN)





California Faucets®

# Descanso™

## WALL OR DECK HANDLE TRIM

### Features

- Base diameter 2-5/16"
- Use for wall stop, wall diverter, or deck diverter
- Rough valve (50-W-R, 75-W-R, WDV-R, DDV-R) sold separately
- Solid brass construction
- Over 30 finishes including 15 PVD finishes

**TO-30-W**  
**TO-30K-W**  
**TO-30F-W**

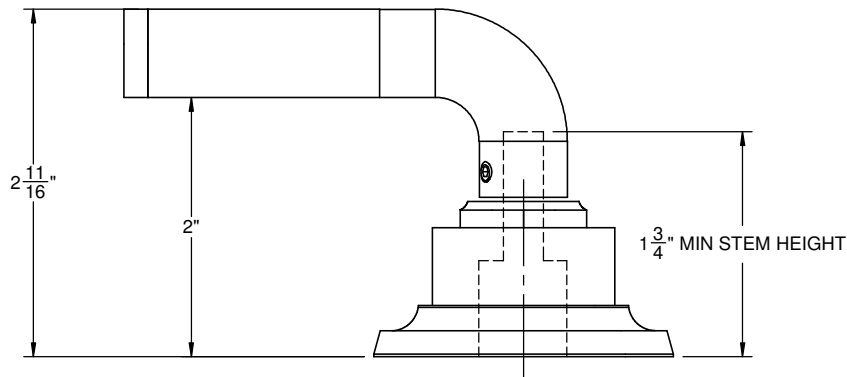
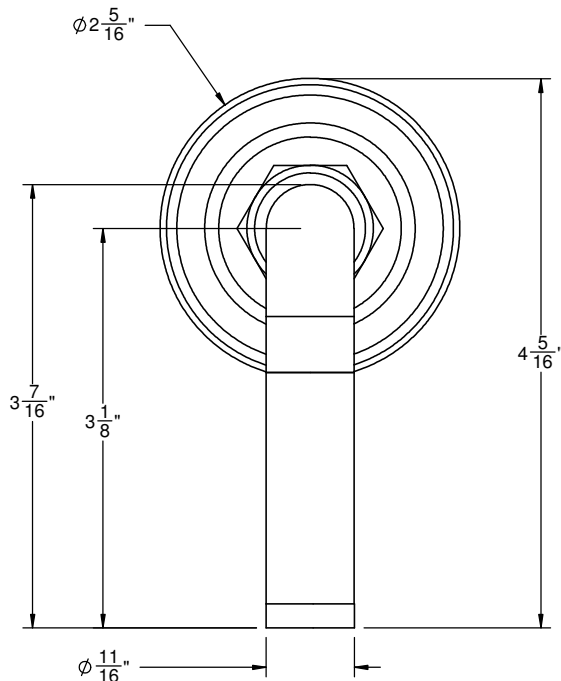


(TO-30F-W SHOWN)

### Codes/Standards Applicable

Meets or exceeds the following at date of manufacture:

- ASME A112.18.1/CSA B125.1
- ADA compliant



#### THROUGH-HOLE SPECIFICATIONS

MIN	RECOMMENDED	MAX
VALVE: $\varnothing 11/16''$	$\varnothing 1-1/4''$	$\varnothing 1-5/8''$