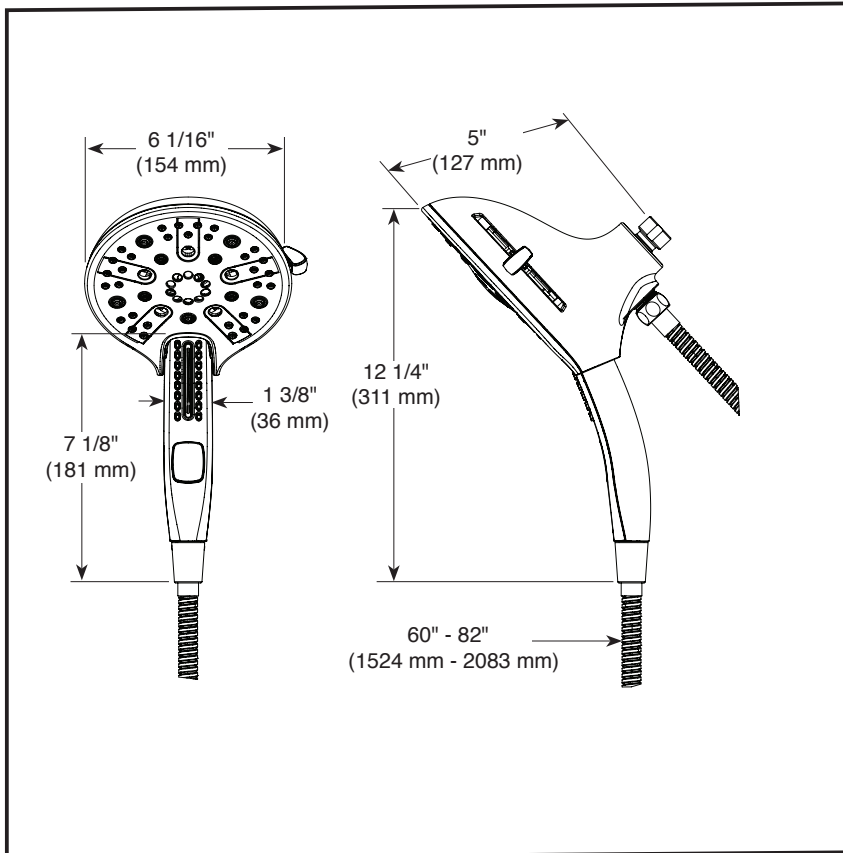




Submitted Model No.: _____

Specific Features: _____



▲ Designate proper finish suffix

Shower Head Spray Patterns



Full Body Spray



H2OkinetiC PowerDrench Spray



Massage Spray

Hand Shower Spray Patterns



Full Body Spray



Soft Waterfall Spray



Pause

Delta reserves the right (1) to make changes in specifications and materials, and (2) to change or discontinue models, both without notice or obligation. Dimensions are for reference only. See current full-line price book or www.deltafaucet.com for finish options and product availability.

DSP-B-58620-PK Rev. A



see what Delta can do™

IN2ITION®

- 2-In-1 Shower
- 3-Spray Setting Shower Head
- 3-Spray Setting Hand Shower
- Certified Dual Check Valves

FEATURES:

- Touch-Clean® Nozzles
- MagnaTite® Docking
- H₂OkinetiC® Technology

STANDARD SPECIFICATIONS


- Integrated hand shower docks securely into shower head when not in use
- Max flow rate 1.75 gpm @ 80 psi, 6.6 L/min @ 550 kPa (58620-▲-PK)
- Max flow rate 2.5 gpm @ 80 psi, 9.5 L/min @ 550 kPa (58620-25▲-PK)
- Multiple hand shower spray settings and pause feature - pause is a non-positive shut-off
- Diverter lever rotates to change shower head spray settings
- Push Button changes spray selection on hand shower
- Shower head diverter allows for single or shared operation of shower head (Full Body Spray in shared position) and hand shower
- 60" - 82" (1524 mm - 2083 mm) stretchable metal hose
- Ball connector swivel angle is 37° (18.5° per side)
- Fits standard 1/2"-14 NPT pipe fitting

WARRANTY

- Parts and Finish - Lifetime limited warranty; or for commercial purchasers, 10 years for multi-family residential (apartments and condominiums) and 5 years for all other commercial uses, in each case from the date of purchase.
- Electronic Parts and Batteries (if applicable) - 5 years from the date of purchase; or for commercial purchasers, 1 year from the date of purchase. No warranty is provided on batteries.



COMPLIES WITH:

- ASME A112.18.1 / CSA B125.1
-  Indicates compliance to ICC/ANSI A117.1
- EPA WaterSense® - Applies to model 58620-PK only

Delta Faucet Company

55 E. 111th Street, Indianapolis, IN 46280
350 South Edgeware Road, St. Thomas, ON N5P 4L1
© 2019 Delta Faucet Company