

Kitchen

Lot Two-hole mixer with individual flanges

Article number: 32800680ff0010



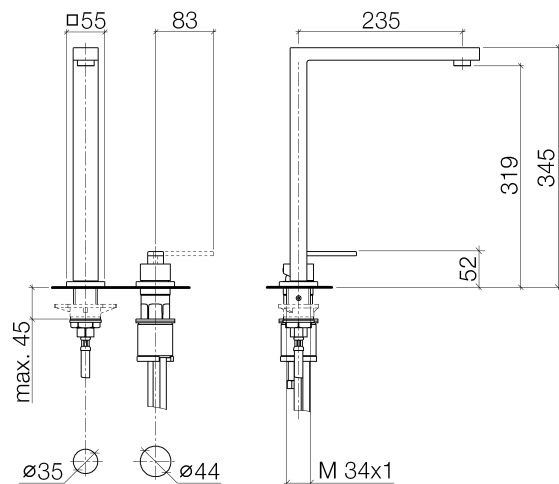
Product specifications

• 9-1/4" Projection

- Swivel spout 360°
- Areated stream
- Total height 13-5/8"
- Height to aerator/spout outlet 12-1/2"
- Individual flanges 2-1/8" x 2-1/8"
- Spout hole diameter 1-3/8"
- Single-lever mixer hole diameter 1-3/8"
- 2x 3/8" US flexible supply lines
- Water flow rate limited to max. 1.5 gpm
- low lead compliant

(ADA)

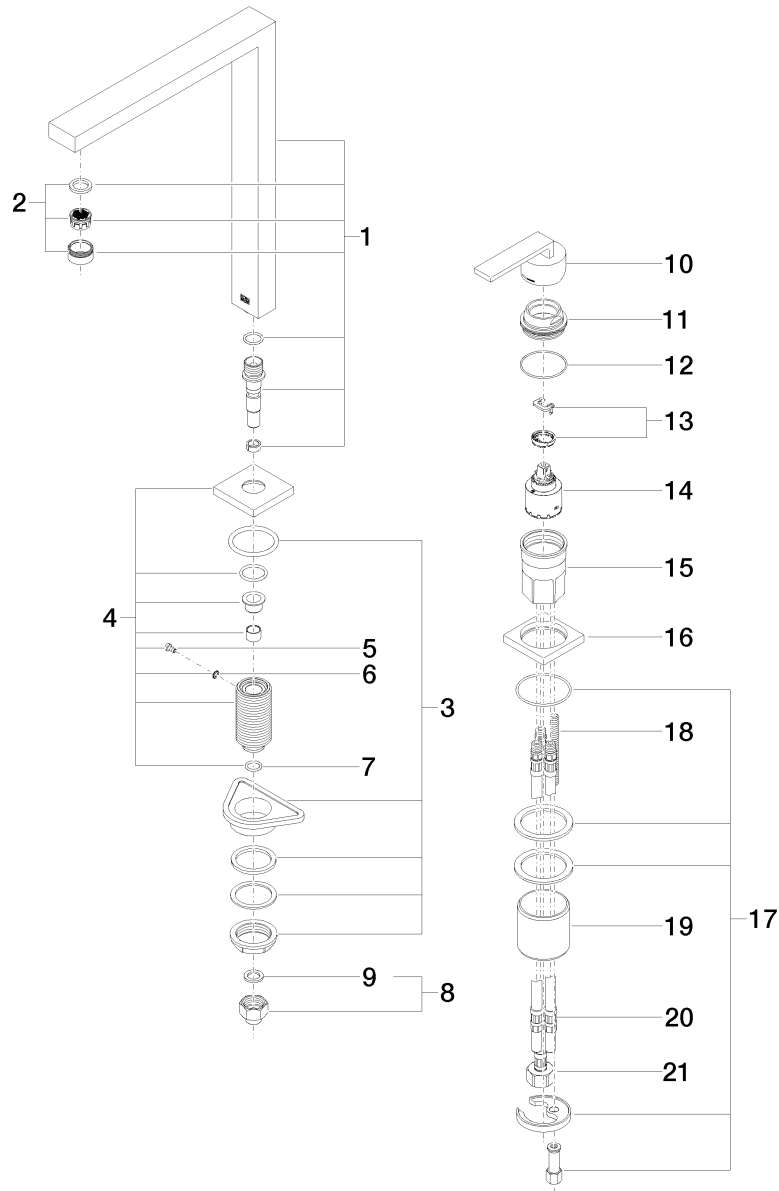
Flexible positioning of components



Surfaces

- | | |
|-----------------|-----------------|
| • chrome | 32800680-000010 |
| • matt platinum | 32800680-060010 |

Exploded assembly drawing



Order quantity

No.	Article number	Name	Installation quantity
1	90110618808ff	spout	1
2	90230102904ff	aerator	1
3	0423100440190	fixing set	1
4	90277802300ff	rosette	1
5	09303005790	screw	1
6	09301102890	disc	1
7	09141007790	seal	1
8	0424041661090	nipple	1
9	09142000290	seal	1
10	90207804000ff	handle	1
11	092404142ff	nut	1
12	09141003790	seal	1
13	0428101480090	accessories	1
14	9015050610090	cartridge	1
15	0930011001090	sleeve	1
16	092778007ff	rosette	1
17	0430110380290	fixing set	1
18	09311101190	pin	1
19	09184007990	sleeve	1
20	0430040450090	hose	1
21	0430040190090	hose	1

Kitchen

Lot Two-hole mixer with individual flanges

Article number: 32800680ff0010

