



Sink - META

Single-lever lavatory mixer without drain - Brushed Chrome

Article number: 33 565 661-93 0010



- Spout version bent by 180°
- 6-1/2" Projection
- Swiveling spout 360°
- Round aerated stream
- Total height 12-1/4"
- Height to aerator/spout outlet 7-7/8"
- 1-3/8" hole diameter
- 2 x pressure hose with 3/8" compression fitting
- Water flow rate limited to max. 1.2 gpm
- lead-free

Codes & Standards

- NSF/ANSI 372
- California Energy Commission (CEC)
- ASME A112.18.1/CSA B125.1
- NSF/ANSI/CAN 61
- ADA

- (ADA)



Brushed Chrome

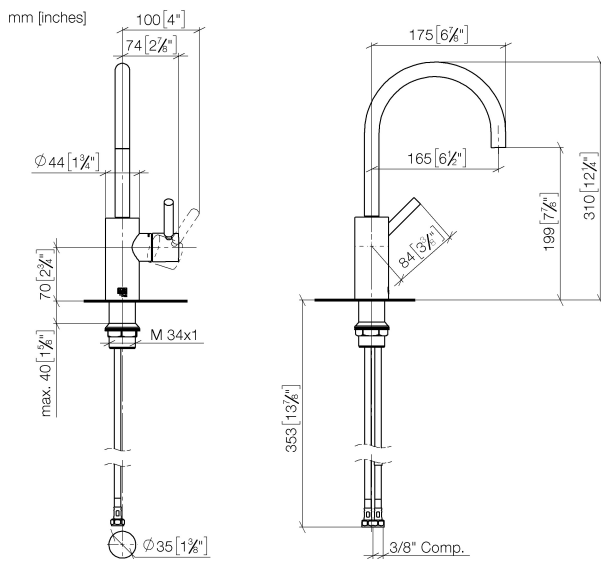


Sink - META

Single-lever lavatory mixer without drain - Brushed Chrome

Article number: 33 565 661-93 0010

Dimensional drawing



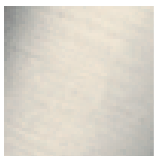
All dimensions in mm / inch = mm x 0,0394

Other surface finishes



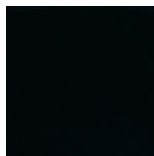
Chrome

33 565 661-00 0010



Brushed Platinum

33 565 661-06 0010



Black matte

33 565 661-33 0010

More custom finish options are available via special production (xTra Service). See our finish matrix for availability and pricing or contact a Dornbracht representative. Some series may be excluded and some finishes may not be available in all series.

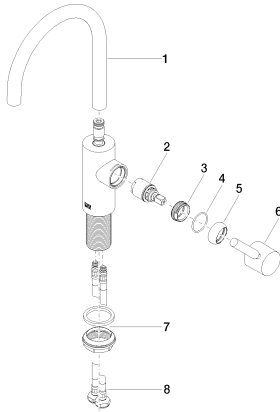


Sink - META

Single-lever lavatory mixer without drain - Brushed Chrome

Article number: 33 565 661-93 0010

Spare parts list



Number	Item Number	Designation	Number of units
1	90 28 22 350 01-93	spout	1
2	90 15 05 044 00 90	cartridge	1
3	09 24 04 266 90	nut	1
4	09 14 10 091 90	seal	1
5	09 28 30 021-93	cover	1
6	90 20 66 003 00-93	handle	1
7	04 23 10 044 07 90	fixing set	1
8	04 30 04 102 00 90	Flexible supply line 3/8"	2
		-	