



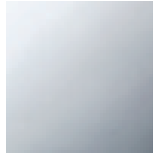
Sink - VAIA

Three-hole lavatory mixer with drain - polished chrome

Article number: 20 713 809-00 0010



- 6-5/8" Projection
- US drain with overflow
- Swiveling spout 360°
- Round aerated stream
- Total height 11"
- Height to aerator/spout outlet 7-1/2"
- Valve hole diameter 1-1/4"
- Spout hole diameter 1-3/8"
- Flange diameter 2-3/8"
- Water flow rate limited to max. 1.2 gpm
- lead-free
- (ADA)
- Suitable only for basins with overflow.



polished chrome



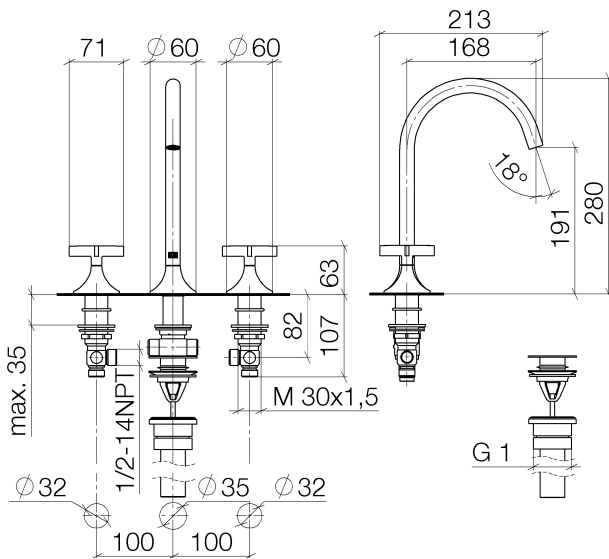


Sink - VAIA

Three-hole lavatory mixer with drain - polished chrome

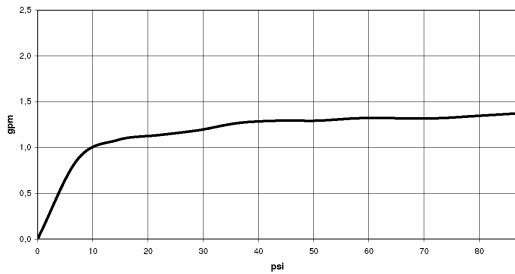
Article number: 20 713 809-00 0010

Dimensional drawing



All dimensions in mm / inch = mm x 0,0394

Flow rate chart





Sink - VAIA

Three-hole lavatory mixer with drain - polished chrome

Article number: 20 713 809-00 0010

Other surface finishes



platinum matte
20 713 809-06 0010



platinum
20 713 809-08 0010



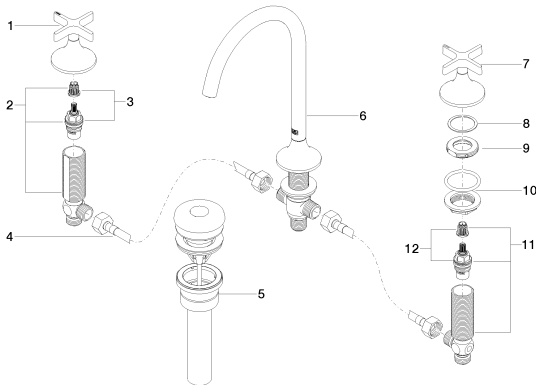
Brushed Durabronz
20 713 809-28 0010



Dark Platinum matte
20 713 809-99 0010

More custom finish options are available via special production (xTra Service). Please see our finish matrix for availability and pricing or contact a Dornbracht representative.

Spare parts list



Number	Item Number	Designation	Number of units
1	90 20 80 011 00-00	handle (hot)	1
2	04 17 11 055 51 90	side panel	1
3	90 90 03 151 00 90	top	1
4	04 30 04 096 00 90	hose	1
5	10 125 970-00 0010	Drain Umbrella drain 1 1/4" - polished chrome	1
6	13 716 809-00 0010	Lavatory spout, deck- mounted without drain - polished chrome	1
7	90 20 80 010 00-00	handle (cold)	1
8	09 28 10 003 90	ring	2
9	09 24 01 028 90	ring	2
10	04 23 10 032 46 90	fixing set	2
11	04 17 11 055 50 90	side panel	1
12	90 90 03 150 00 90	top	1