

ELKAY® SPECIFICATIONS

Two-Level Mounting Frame Model MF200

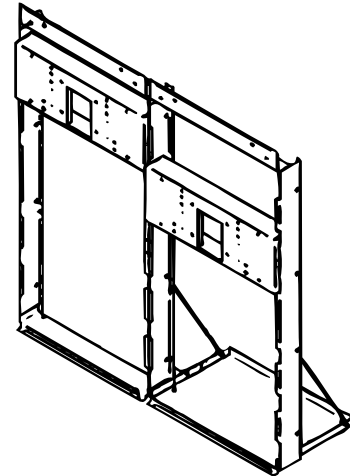
GENERAL

MF200 Mounting Frame for use with Square Front, Soft Sides® and SwirlFlo® Two-Level Water Coolers.

MF200 Mounting Frame is used on model LKTEA8C, LKTEA8RAC, LNTE8C, LNTE8RAC, LPTEA8C, LPTEA8RAC, ERHPA28C, ERHPA28RAC, ERFP28C, ERFP28RAC, ERO28C, ERO28RAC, ERPB28C, ERPB28RAC, ENOA28C and ENOA28RAC Two-Level Water Coolers.

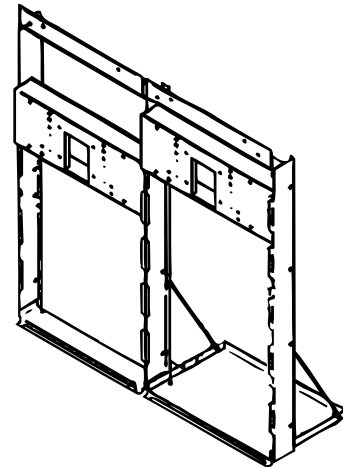
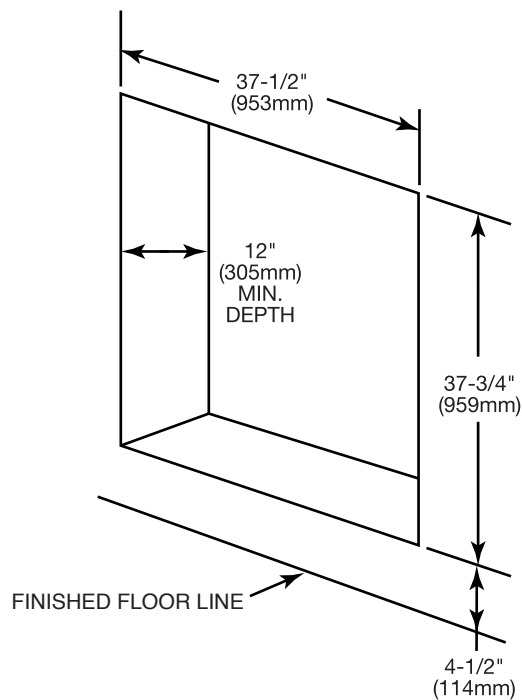
CONSTRUCTION

16 gauge galvanized steel.



MF200 Two-Level Mounting Frame
STANDARD CONFIGURATION SHOWN
HIGHER UNIT ON THE LEFT

WALL OPENING



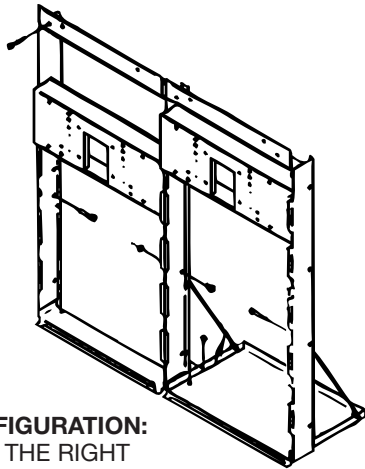
MF200 Two-Level Mounting Frame
REVERSED CONFIGURATION SHOWN
HIGHER UNIT ON THE RIGHT

In keeping with our policy of continuing product improvement, Elkay reserves the right to change product specifications without notice.

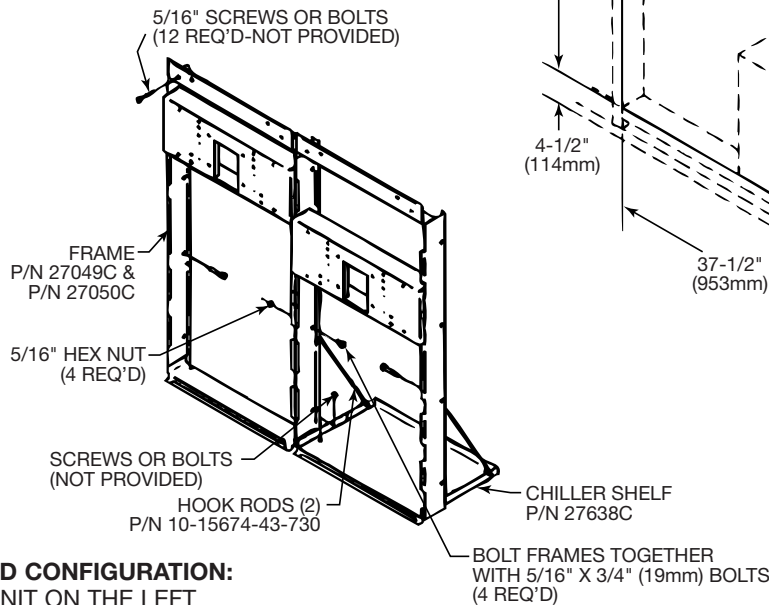
This specification describes an Elkay product with design, quality and functional benefits to the user. When making a comparison of other producers' offerings, be certain these features are not overlooked.

**Two-Level Mounting Frame
Model MF200**

**ELKAY®
ROUGH-IN DIMENSIONS**

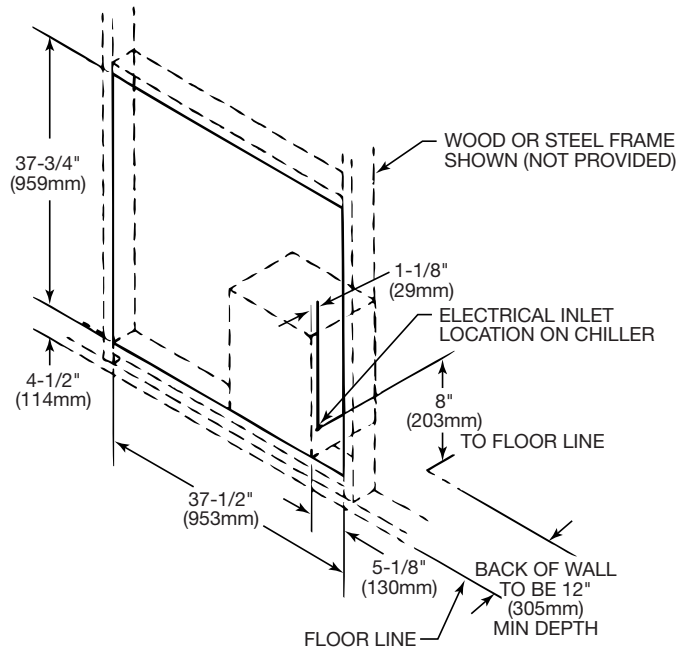


**REVERSED CONFIGURATION:
HIGHER UNIT ON THE RIGHT**



**STANDARD CONFIGURATION:
HIGHER UNIT ON THE LEFT**

**MAKE SURE FRAME CONFIGURATION MATCHES
THE COOLER TO BE INSTALLED**



MF200 MOUNTING FRAME INSTRUCTIONS

- Cut a square rectangular wall opening** 37-1/2" (953mm) W x 37-3/4" (959mm) H and 4-1/2" (114mm) above the floor line. These dimensions are required to obtain proper rim and bubbler heights for compliance with ANSI standard A117.1.
- Reinforce the wall opening** on all sides so that it will adequately support the water fountain. This reinforcement must support up to 150 lbs. static load and provide a means for securing the frame assembly in place.
NOTE: Building construction must allow for adequate air flow on both sides and top of remote chiller unit. Minimum of 4" (102mm) is required.
- Install plumbing and electrical rough-ins.** A junction box for a (3) wire, 10 amp branch circuit is provided on the inside of the chiller. (Standard 120 Volts, 60 Hz and single phase)
NOTE: Reference Specification Sheet for water cooler model to be installed for exact waste and supply locations.

- Remove frame assembly and related hardware** from packaging. Attach the two frames together thru the upright supports with (4) 5/16" x 3/4" (19mm) long bolts and nuts (provided). Tighten securely. **Make sure frame configuration matches the cooler to be installed.**
- Install the frame assembly** squarely in wall opening with frame upright support edges **flush with the finished wall face**. Secure the frame to the wall thru holes with (12) 5/16" x 2" (51mm) bolts or screws (not provided). Tighten securely.
NOTE: Be sure that frame is squared in location. Do not use less than required screw quantity and size.
- Attach the chiller shelf support rods** to the right side frame uprights at the second set of holes counting from the bottom and to the shelf at the (2) side holes. Line up the other shelf holes with the frame bottom holes and fasten the assembly to the wall using appropriately sized screws or bolts and nuts (not provided).