

**PRODUCT SPECIFICATIONS**

Elkay Lustertone™ Classic Stainless Steel 31-1/4" x 20" x 9-7/8", Double Bowl Undermount Sink with Perfect Drain. Sink is manufactured from 18 gauge 304 Stainless Steel with a Lustrous Satin finish, Rear Center drain placement, and Sides and Bottom pads.

<b>Installation Type:</b>	Undermount
<b>Material:</b>	304 Stainless Steel
<b>Special Features:</b>	Perfect Drain
<b>Finish:</b>	Lustrous Satin
<b>Gauge:</b>	18
<b>Sound Deadening:</b>	Sides and Bottom pads
<b>Number of Bowls:</b>	2
<b>Sink Dimensions:</b>	31-1/4" x 20" x 9-7/8"
<b>Bowl 1 Dimensions:</b>	14" x 18" x 9-7/8"
<b>Bowl 2 Dimensions:</b>	14" x 18" x 9-7/8"
<b>Drain Size:</b>	3-3/8" (86mm)
<b>Drain Location:</b>	Rear Center
<b>Minimum Cabinet Size:</b>	36"
<b>Mounting Hardware:</b>	Undermount brackets sold separately
<b>Template Included:</b>	Yes
<b>Cutout Template #:</b>	<a href="#">1000001298</a>

Template is available for download at [elkay.com](#)

**Perfect Drain:** Seamlessly welded stainless steel collar eliminates the gap between a traditional drain and the sink for a sanitary and gap free installation. An InSinkErator® garbage disposer can be installed on either sink bowl for user convenience.

U.S. Patent Nos 9,057,185 and 9,783,968.

**in sink erator**<sup>®</sup>

Elkay<sup>®</sup> Perfect Drain™ sinks are designed and approved for compatible disposers manufactured by InSinkErator<sup>®</sup> utilizing the Quick Lock<sup>®</sup> mounting configuration. Use of non-approved disposers may void Elkay warranty.

InSinkErator, Quick Lock and the mounting collar configuration are trademarks of Emerson Electric Co.





**Included with Product:** Two LKPD1 Perfect Drains and strainers.

AMERICAN PRIDE. A LIFETIME TRADITION. Like your family, the Elkay family has values and traditions that endure. For almost a century, Elkay has been a family-owned and operated company, providing thousands of jobs that support our families and communities.

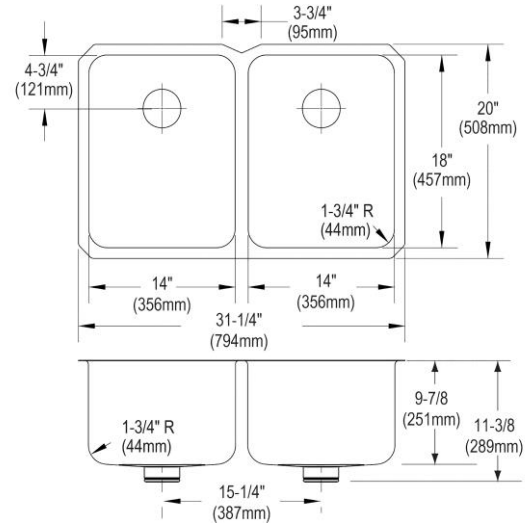


**Product Compliance:** ASME A112.19.3/CSA B45.4  
BUY AMERICAN ACT  
**Accessory:** ASME A112.18.2/CSA B125.2



Sinks are listed by IAPMO<sup>®</sup> as meeting the applicable requirements of the Uniform Plumbing Code<sup>®</sup>, International Plumbing Code<sup>®</sup>, and National Plumbing Code of Canada.

- [Clean and Care Manual \(PDF\)](#)
- [Installation Instructions \(PDF\) - 1000002045](#)
- [Installation Instructions \(PDF\) - 74180289 Disposer](#)
- [Installation Instructions \(PDF\) - 74180340-USA Drain](#)
- [Limited Lifetime Warranty \(PDF\)](#)



PART: \_\_\_\_\_ QTY: \_\_\_\_\_

PROJECT: \_\_\_\_\_

CONTACT: \_\_\_\_\_

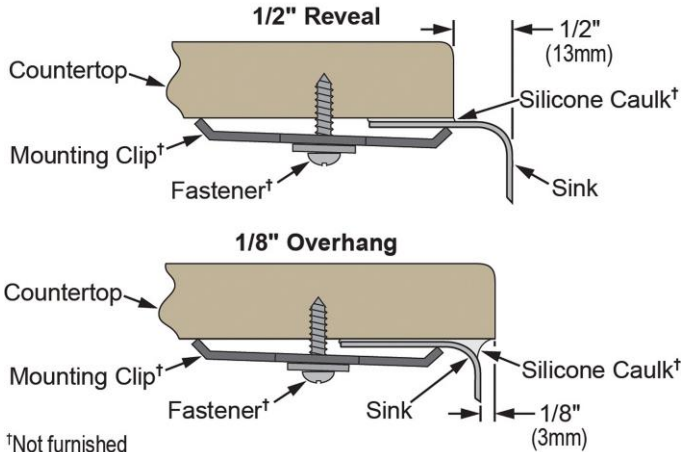
DATE: \_\_\_\_\_

NOTES: \_\_\_\_\_

APPROVAL: \_\_\_\_\_

In keeping with our policy of continuing product improvement, Elkay reserves the right to change product specifications without notice. Please visit [elkay.com](#) for the most current version of Elkay product specification sheets. This specification describes an Elkay product with design, quality, and functional benefits to the user. When making a comparison of other producers' offerings, be certain these features are not overlooked.

**Installation Profile:**



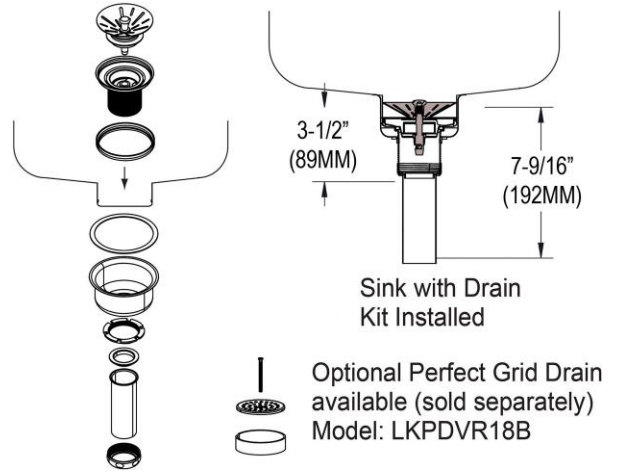
†Not furnished

*Designed to affix to the underside of any solid surface countertop.*

**OPTIONAL ACCESSORIES**

<b>Bottom Grid:</b>	LKWOBG1418SS
<b>Cutting Board:</b>	CBS1418*
<b>Drain:</b>	LKPDVR18B, LKDS99, LKDS35
<b>Faucet:</b>	LKGT1041, LKGT2041
<b>Hardware:</b>	LKUCLIP8 (2 Required)
<b>Rinsing Basket:</b>	LKW RB1418SS
<b>Sinkmate:</b>	LKSMHSL
<b>Soap Dispenser:</b>	LKGT1054

\* 1/2" sink reveal required for proper fit.



*In keeping with our policy of continuing product improvement, Elkay reserves the right to change product specifications without notice. Please visit [elkay.com](http://elkay.com) for the most current version of Elkay product specification sheets. This specification describes an Elkay product with design, quality, and functional benefits to the user. When making a comparison of other producers' offerings, be certain these features are not overlooked.*