

PRODUCT SPECIFICATIONS

Elkay Stainless Steel 90" x 23" x 26", Wall Hung Triple Station Surgeon Scrub Sink. Sink is manufactured from 16 gauge 304 Stainless Steel with a Buffed Satin finish. Full spray sides and bottom with Bottom only pads.

Material:	304 Stainless Steel
Finish:	Buffed Satin
Gauge:	16
Sound Deadening:	Full spray sides and bottom with Bottom only pads
Number of Bowls:	3
Sink Dimensions:	90" x 23" x 26"
Bowl 1 Dimensions:	28" x 16-1/4" x 11"
Bowl 2 Dimensions:	28" x 16-1/4" x 11"
Bowl 3 Dimensions:	28" x 16-1/4" x 11"
Backsplash Height:	4
Drain Size:	3-1/2" (89mm)

Custom Options	
<input type="checkbox"/> Type 316 Stainless Steel	
Drain Location	
<input type="checkbox"/> Right Rear	<input type="checkbox"/> Left Rear
<input type="checkbox"/> Center	<input type="checkbox"/> Center Rear
Overflow Location	
<input type="checkbox"/> Front	<input type="checkbox"/> Left
<input type="checkbox"/> Rear	<input type="checkbox"/> Right
Alternate Punching	
<input type="checkbox"/> Faucet Model:	<input type="checkbox"/> Punch Required:

*Options available if applicable



AMERICAN PRIDE. A LIFETIME TRADITION.
Like your family, the Elkay family has values and traditions that endure. For almost a century, Elkay has been a family-owned and operated company, providing thousands of jobs that support our families and communities.

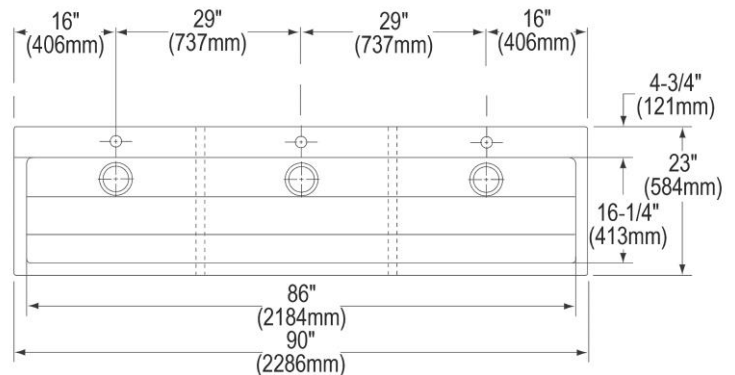
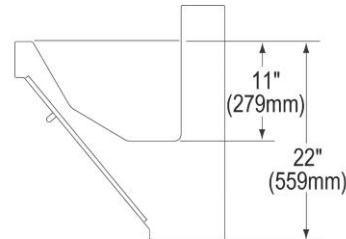
Product Compliance: ASME A112.19.3/CSA B45.4



Sinks are listed by IAPMO[®] as meeting the applicable requirements of the Uniform Plumbing Code[®], International Plumbing Code[®], and National Plumbing Code of Canada.

[Clean and Care Manual \(PDF\)](#)

[Limited Warranty \(PDF\)](#)



PART: _____ QTY: _____

PROJECT: _____

CONTACT: _____

DATE: _____

NOTES: _____

APPROVAL: _____

In keeping with our policy of continuing product improvement, Elkay reserves the right to change product specifications without notice. Please visit elkay.com for the most current version of Elkay product specification sheets. This specification describes an Elkay product with design, quality, and functional benefits to the user. When making a comparison of other producers' offerings, be certain these features are not overlooked.

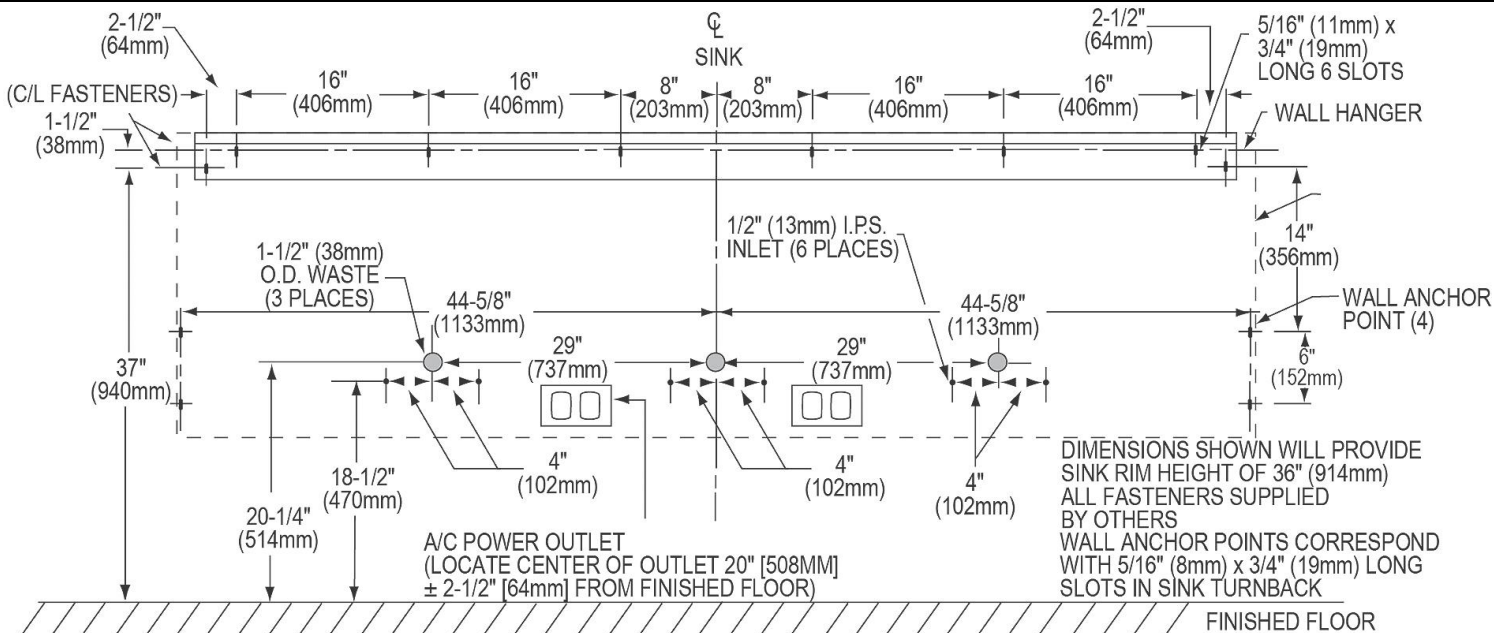
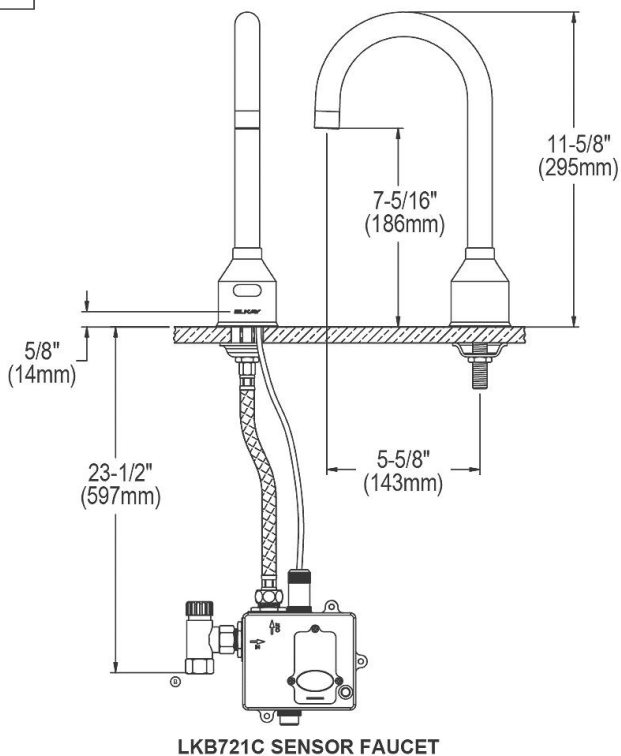
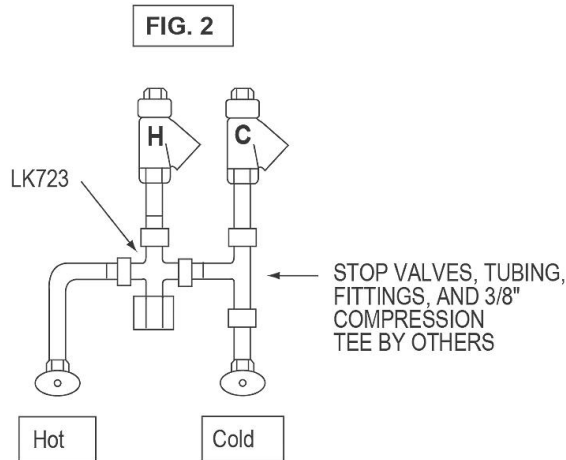


FIG. 1



LKB721C SENSOR FAUCET

TRIPLE STATION ROUGH-IN



LKB721C SENSOR FAUCET WITH
LK723 THERMOSTATIC MIXING VALVE

In keeping with our policy of continuing product improvement, Elkay reserves the right to change product specifications without notice. Please visit elkay.com for the most current version of Elkay product specification sheets. This specification describes an Elkay product with design, quality, and functional benefits to the user. When making a comparison of other producers' offerings, be certain these features are not overlooked.