
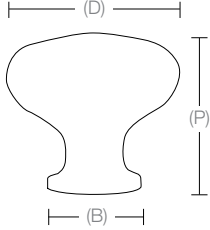

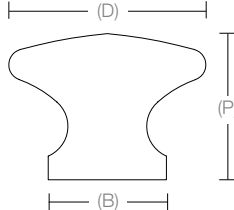


Arts & Crafts Cabinet Knob & Pull Specifications


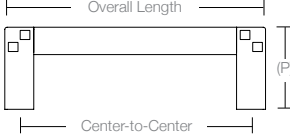
Round Dimpled Knob

		Product Code Dimensions(D) Projection(P) Base Diameter(B)
		86037 1 ¼" 1 ¼" ¾"
		86213 1 ¾" 1 ½" ⅞"


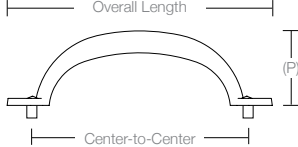
Square Dimpled Knob

		Product Code Dimensions(D) Projection(P) Base Dimensions(B)
		86038 1" ¾" ⅝"
		86039 1 ¼" 1" ¾"
86212 1 ¾" 1 ⅞" ⅞"		


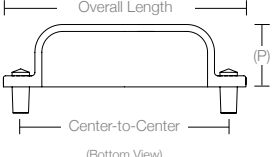
Mortise & Tenon Pull

		Product Code Overall Length Dimension C-to-C Projection(P)
		86043 3 ⅜" 3" 1 ⅛"
		86044 3 7/8" 3 ½" 1 ⅛"
		86045 4 ⅜" 4" 1 ⅛"
		86276 6 ⅜" 6" 1 ⅞"


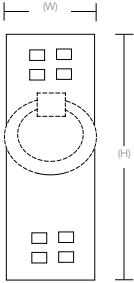
Hammered Pull

		Product Code Overall Length Dimension C-to-C Projection(P)
		86046 3 7/8" 3" 1"
		86047 4 ⅜" 3 ½" 1"
		86048 4 7/8" 4" 1"


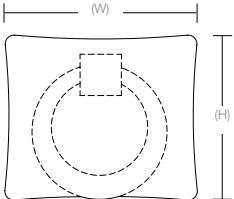
Hammered Bin Pull

		Product Code Overall Length Dimension C-to-C Height Projection(P) Width(W)
		86049 3 ½" 3" 1 ½" 1" 1 ⅜"


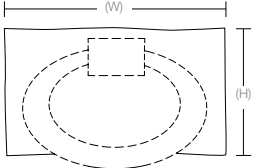
Hammered Vertical Ring Pull

		<table border="1"> <thead> <tr> <th>Product Code</th> <th>Dimension</th> </tr> </thead> <tbody> <tr> <td>86042</td> <td>1¼" W x 3½"H</td> </tr> </tbody> </table>	Product Code	Dimension	86042	1¼" W x 3½"H
Product Code	Dimension					
86042	1¼" W x 3½"H					

Hammered Ring Pull

		<table border="1"> <thead> <tr> <th>Product Code</th> <th>Dimension</th> </tr> </thead> <tbody> <tr> <td>86040</td> <td>1¾" W x 1½"H</td> </tr> </tbody> </table>	Product Code	Dimension	86040	1¾" W x 1½"H
Product Code	Dimension					
86040	1¾" W x 1½"H					

Hammered Oval Pull

		<table border="1"> <thead> <tr> <th>Product Code</th> <th>Dimension</th> </tr> </thead> <tbody> <tr> <td>86041</td> <td>3" W x 1¾"H</td> </tr> </tbody> </table>	Product Code	Dimension	86041	3" W x 1¾"H
Product Code	Dimension					
86041	3" W x 1¾"H					