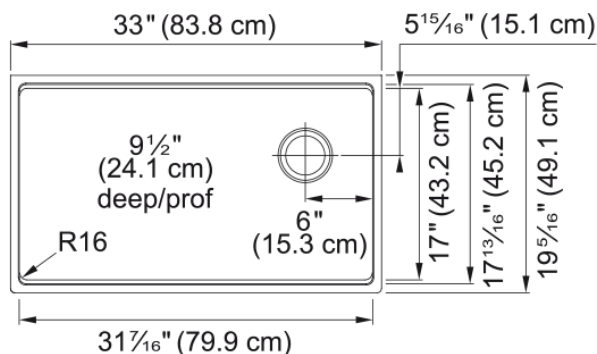


# Maris Workcenter Sink MAG11031OW-PWT-WKC | 125.0672.247



## Technical Data

### Aspect

Sink type	Sink
Type of material	Granite
Number of bowls	1
Color	Polar white
Finish	None

### Product Dimensions

Exterior size: right to left	33.004
Exterior size: front to back	19.335
Large bowl size: right to left	31.457
Large bowl size: front to back	17.035
Large bowl: depth	9.496

### Installation

Minimum cabinet size	36"
----------------------	-----

### Product specifications

Installation type	Undermount
Drain hole	3 1/2"
Position of drainer	No drainer

### Product identification

Product brand	FRANKE
Product family	Maris
Collection	Maris
Certified by	CUPC

### Features

Drainers number	No drainer
Product reversibility	No
Faucet ledge	No
Strainer assembly included	Yes

## Features

Strainer assembly type	Manual
Overflow	No
Number of faucet holes	No faucet hole
Soap dispenser hole	No