

# 41039

## ROBE HOOK

**STANDARD SPECIFICATION:**

- GROHE StarLight®

Pure Freude  
an Wasser








### PRODUCT FEATURES:

-  GROHE StarLight®

### CERTIFICATIONS:

### AVAILABLE FINISHES:

- 41039000**  StarLight® Chrome
- 41039A00**  Hard Graphite
- 41039BE0**  Polished Nickel InfinityFinish™
- 41039EN0**  Brushed Nickel InfinityFinish™
- 41039GN0**  Brushed Cool Sunrise

NOTE: Install this product according to the installation guide. ADA, CSA compliant when installed to the specific requirements of these regulations.

Tel: 1.630.582.7711 Fax: 1.630.582.7722

We reserve the right to make revisions without notice to product specifications.

For the most current Specification Sheet, go to [www.grohe.us](http://www.grohe.us).

07-01-2020

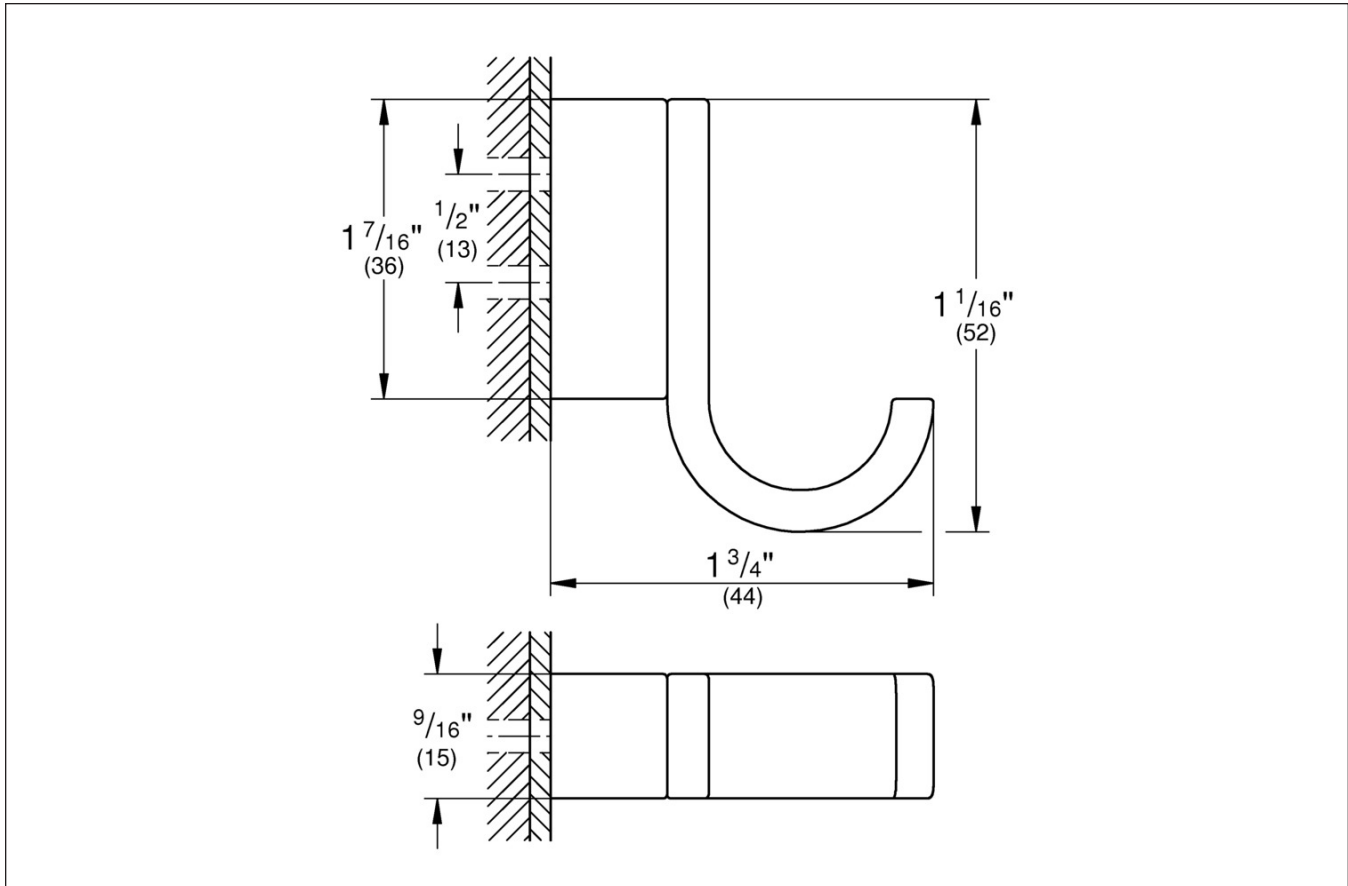
**PART OF LIXIL**

# 41039

## ROBE HOOK

TECHNICAL DATA:

Pure Freude  
an Wasser



Tel: 1.630.582.7711 Fax: 1.630.582.7722

We reserve the right to make revisions without notice to product specifications.

For the most current Specification Sheet, go to [www.grohe.us](http://www.grohe.us).

07-01-2020

PART OF **LIXIL**