

JASON[®]

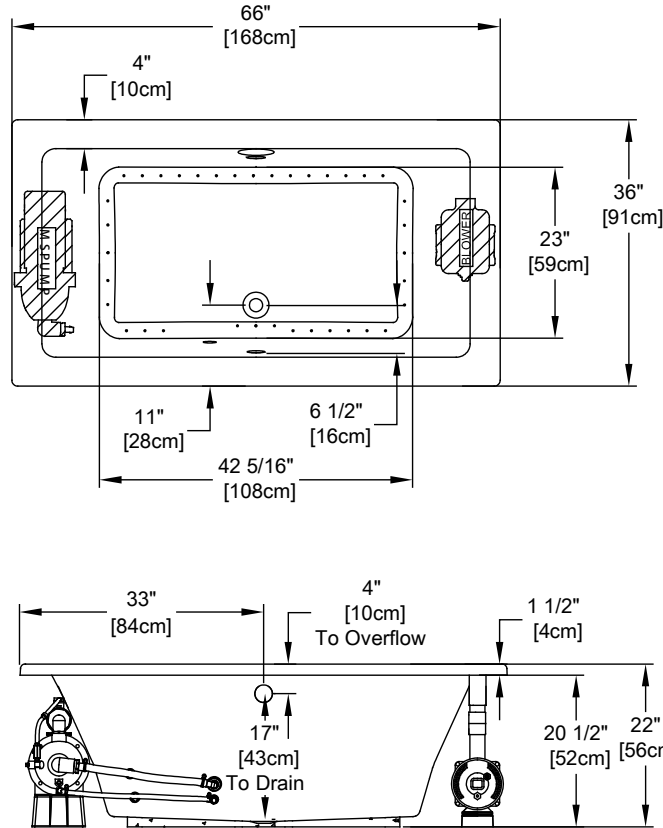
HYDROTHERAPY

8328 MacArthur Dr. • North Little Rock, AR 72118
 501.771.4477 • Fax: 501.771.2333
 Customer Service: 800.255.5766
 www.jasoninternational.com

forma[®] Collection Specifications

RC553

MicroSilk[®] - AirMasseur[®]






NOTE: To accommodate customer preferences, the Jason Sani-Design™ Cleaning Cap Assembly is **not** factory installed on the bath deck. An Installation Kit for the Sani-Design™ Cleaning Cap is provided with this bath.

Patents received or pending.

Note: Dimensional Tolerances: ±1/4"

Drop-in-Hole Size:	34" x 64"
Operating Capacity:	45 Gal.
Overflow Capacity:	71 Gal.
Floor Loading / sq.ft.:	51.6 lbs.
Carton Wt:	156 lbs.
Cube:	36.6 ft. ³

Standard	 <p>A 120V system that includes a MicroSilk[®] unit; a 1HP, variable speed air blower with integral air heater; automatic purge cycle; an electronic control; and a 20-minute timer. Control keypad operates the MicroSilk[®] unit, blower and blower speed for continuous, pulse or wave massage modes.</p>
Premier	 <p>A 120V system that includes a MicroSilk[®] unit; a 1HP, variable speed air blower with integral air heater, (2) Chromatherapy mood lights, Automatic Ozone System; automatic purge cycle; an electronic control; and a 20-minute timer. Control keypad operates the MicroSilk[®] Unit, blower and blower speed for continuous, pulse or wave massage modes. The keypad also operates the LED Chromatherapy mood lights.</p>
Signature	 <p>A 120V system that includes a MicroSilk[®] unit; a 1HP, variable speed air blower with integral air heater, (2) Chromatherapy lights, Automatic Ozone System; automatic purge cycle; a digital control with LCD display window; low water level and water temperature sensors to ensure proper operation; and a 20-minute timer. Control keypad operates the MicroSilk[®] unit, blower and blower speed for continuous, pulse or wave massage modes, LED Chromatherapy lights and shows MicroSilk[®] status, blower speed, water temperature and time remaining. Includes a floating Universal Remote Control that operates all functions of the MicroSilk[®], blower and LED Chromatherapy lights plus TV, DVD, CD, etc.</p>

Construction: Fiberglass reinforced acrylic bath with Level Form™ full-support base.

We provide products listed with Intertek ETL SEMKO (Edison Testing Laboratories) U.S. and Canadian and with International Association of Plumbing and Mechanical Officials (IAPMO). Consult factory with your listing requirements.