



**JETTA**  
AIR HYDROTHERAPY



*Cosmo Collection*

# CELESTE

**(J68)** 67" x 32" x 23"

APPROX. OPERATING GALLONS: 66  
AIR INJECTORS: XXXXX

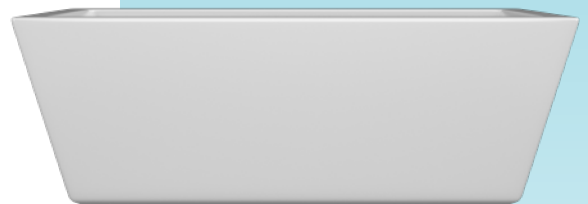
- Sleek, contemporary look
- High-gloss / high-impact acrylic
- Leveling feet
- Integrated linear waste & overflow
  - Standard Chrome
  - White available

## SYSTEM

- Seamless air injectors around tub perimeter
- Highly variable speed blower motor with 600 watt heater:  
115 Volt - 10 Amps - 1 HP
- Blower must be remote mounted at installation
- Electronic keypad control with variable speeds and  
3 settings - Pulse, Wave, or Continuous

## COLORS AVAILABLE

White



## COSMO ABOVE FLOOR DRAIN KIT

- Freestanding tub rough-in
- Install before tile
- Designed to be installed in a 8" to 10" joist space
- Can be installed with waterproof membrane

Sold separately.  
Not required for tub install



**JETTAIR**

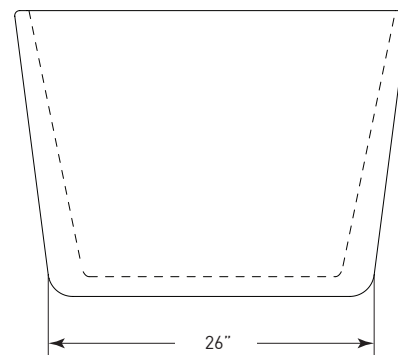
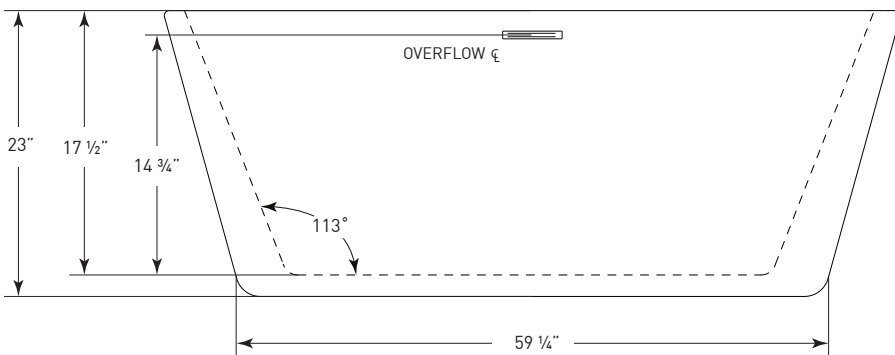
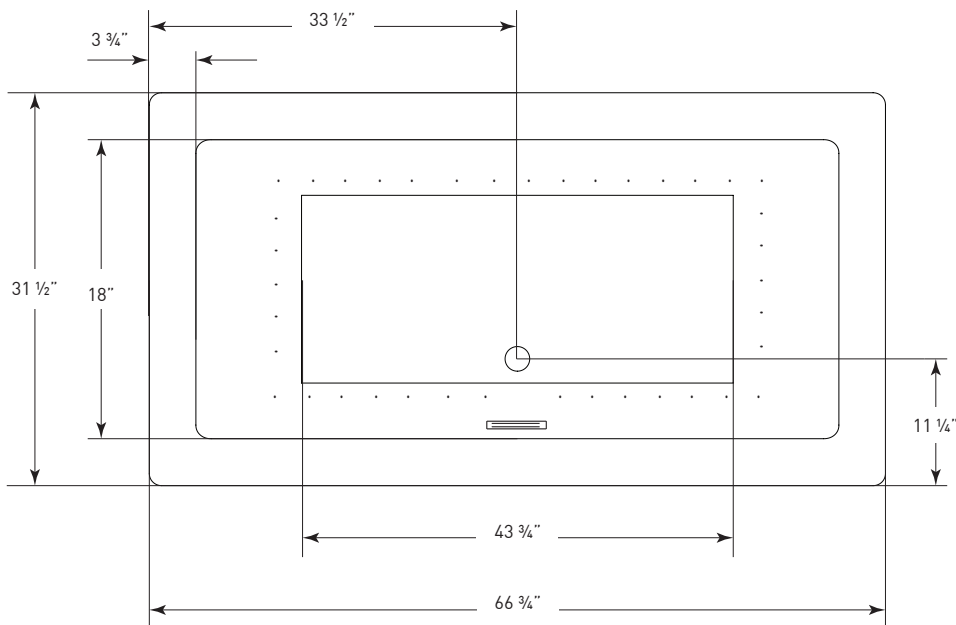
FOR INFORMATION OR  
TO PLACE AN ORDER  
CALL 1.800.288.7771

  
JETTACORP.COM

# TECHNICAL SPECIFICATIONS

## CELESTE *J68*

67" x 32" x 23" RECTANGLE AIR



### ELECTRICAL SPECIFICATIONS

Required Electrical Service 110/115 Volts  
Standard Air 20 amp GFI

Each blower must be protected by a  
dedicated GFI breaker (refer to local  
Cannot be more than 15 ft from the tub.

### CODES/STANDARDS APPLICABLE

Specific model meets or exceeds the requirements for  
the following standards: ANSI, ASME



# JETTA

JETTACORP.COM

### INSTALLATION: Measure tub before installing.

Dimensional variance on drawings may be +/- 1/2 inch  
and are subject to change without notice

© 2018 Jetta Corporation. All rights reserved.  
Specifications are subject to change without notice.  
REV 04/2021