



# TUDOR (E31S)

**60" x 36" x 20" END DRAIN**

*A wider bathing well and molded arm rests allow for maximum, whirlpool comfort & relaxation.*

## FEATURES

- High-gloss/high-impact, UV-resistant acrylic will not dull or fade
- Installation: Drop-in
- Minimalist tub profile with a self leveling rim
- 1 person bathing well
- Lumbar support and sculpted armrests
- Seamless air injectors around tub perimeter.
- Variable speed air blower - 115 Volt, 6.3 Amps, 1 HP
- Ambient air induction, with multi-function push button air switch
- Automatic purge cycle keeps lines clean and dry

## AVAILABLE MODELS

- Soaker
- Whirlpool
- Air

## OPTIONS

- Waste and overflows
- Spa pillows

## COLORS

White, Biscuit

## OPERATING GALLONS

40 (Approximate)



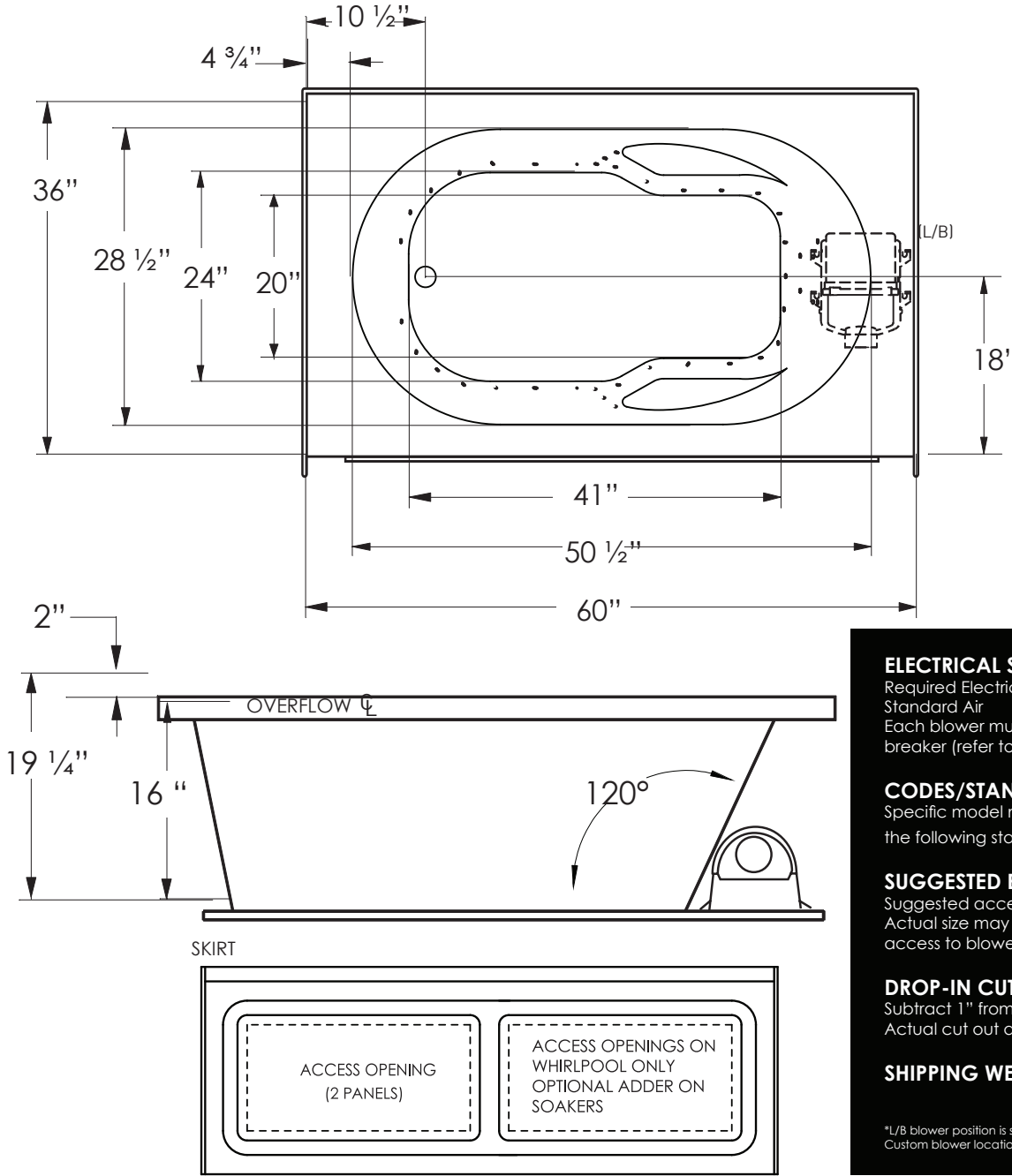
SKIRT

FOR INFORMATION  
OR TO PLACE AN ORDER  
CALL 1.800.288.7771

JETTACORP.COM



## JETTA AIR HYDROTHERAPY | 60" x 36" x 20" | END DRAIN



### ELECTRICAL SPECIFICATIONS

Required Electrical Service 110/115 Volts  
 Standard Air 20 amp GFI  
 Each blower must be protected by a dedicated GFI breaker (refer to local codes).

### CODES/STANDARDS APPLICABLE

Specific model meets or exceeds the requirements for the following standards: ANSI, ASME

### SUGGESTED BLOWER ACCESS PANEL

Suggested access size 20" x 12"  
 Actual size may vary depending on distance of access to blower location.

### DROP-IN CUT OUT DIMENSIONS

Subtract 1" from length and width dimensions  
 Actual cut out dimension 59" x 35"

**SHIPPING WEIGHT** 170 lbs

\*L/B blower position is standard.  
 Custom blower locations available upon request.



### INSTALLATION: MEASURE TUB BEFORE BUILDING TUB DECK.

For best results, Jetta Corporation recommends 1"-3" of mortar bedding under the tub base for maximum support. Contact Jetta for details. Dimensional variance on drawings may be +/- 1/2 inch and are subject to change without notice.

JETTACORP.COM



© 2021 Jetta Corporation. All rights reserved. Specifications are subject to change without notice. REV 08/2021