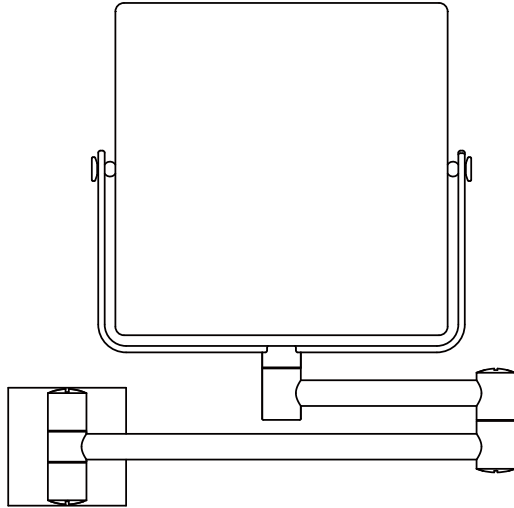


## COSMETIC MIRRORS SQUARE WALL MOUNTED 6" MIRROR

KCM-SQ-6



Magnification Mirror

---

## CONTENTS

Tools Needed - **1**

Parts - **2**

Mirror Installation - **2**

Cleaning and Care - **3**

Warranty - **3**

---

## GENERAL INFORMATION

Save these instructions for future use and reference. An improper installation voids the warranty. Carefully inspect the mirror for damage. Installed products cannot be returned.

If you experience any problems with your wall mirror, contact your dealer

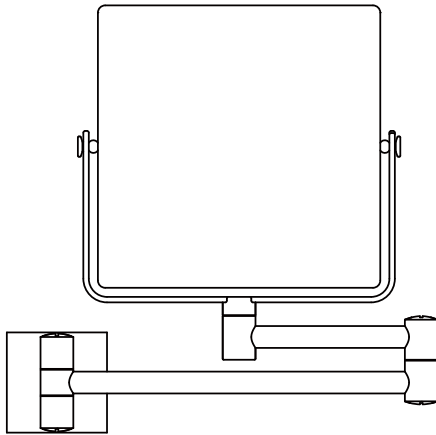
Limited Warranty — One Year Term

---

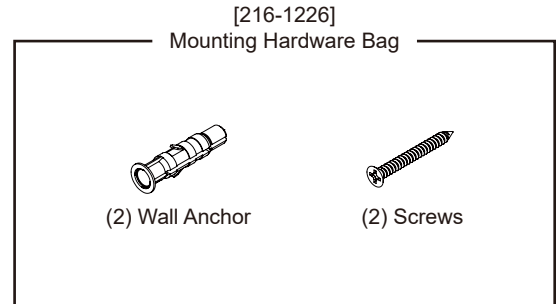
## TOOLS NEEDED



## PARTS

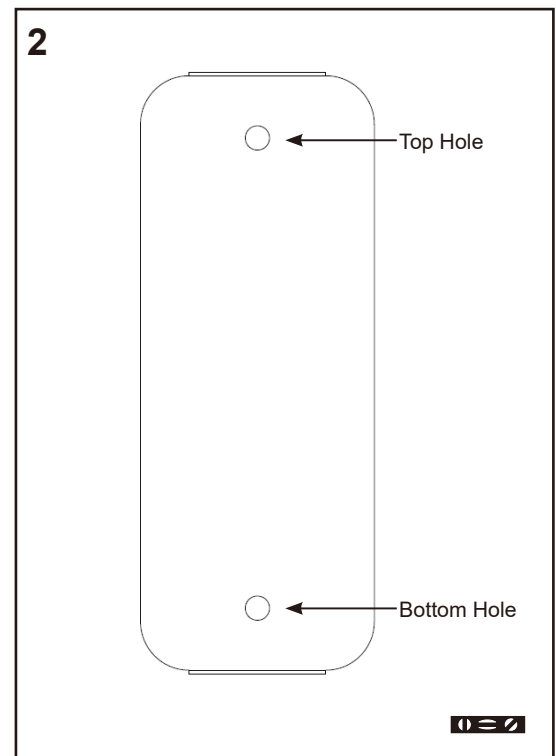


Magnification Mirror



## MIRROR INSTALLATION

1. Remove the back-plate from the wall base by unscrewing the top and bottom screws.
2. Carefully select the wall mirror location. It is suggested the mirror be attached to a stud. Hold the back-plate up to the wall and ensure it is vertical with a level. Mark the locations of the top and bottom holes on the wall.
3. If no stud is available, use the supplied plastic anchors. Drill a 5/16" hole into drywall/wallboard, tile, plaster, brick, or concrete at the location you marked. Insert the wall anchor into the hole. Tap until anchor flange is flush with the wall.
4. Align the back-plate holes with either the locations marked in Step 2 or the plastic anchors in Step 3. Using the screws from the hardware bag, mount the back plate onto the wall by tightening both screws.
5. Continue to tighten screw until there is a strong resistance. **DO NOT OVER TIGHTEN.**
6. Place the wall base on top of the back-plate. Tighten both screws that were removed in Step 1 until the wall base is firm and does not move.



## CLEANING AND CARE

**NOTE:** Under no circumstances should an ammonia-based cleaner be used on magnification mirror. When cleaning the mirror surface use only a lint-free polishing cloth for cleaning. To remove stubborn stains slightly dampen the cloth with water or rubbing alcohol. When cleaning the metal frame, use only a damp cloth.

**NOTE:** Do not use abrasive cleansers on any part of the magnification mirror.



---

## WARRANTY

Limited Warranty One Year Term