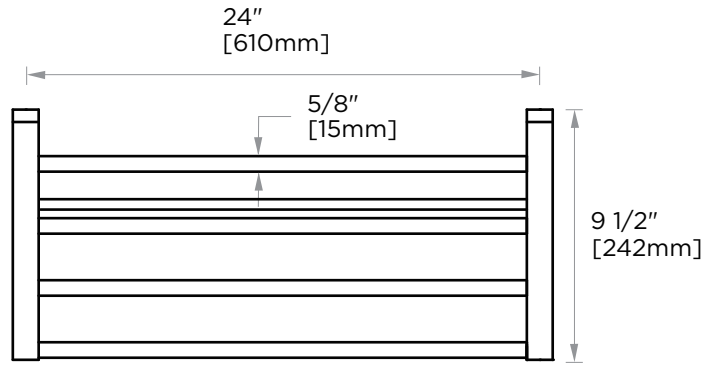
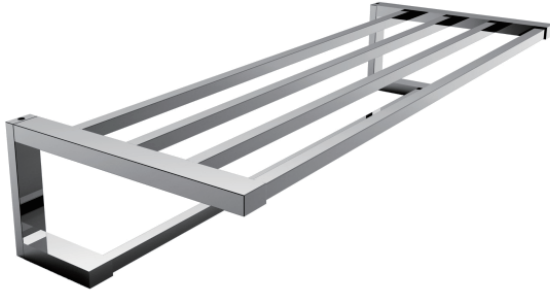


**NAPLES COLLECTION**  
**DOUBLE TOWEL**  
**SHELF**  
422442



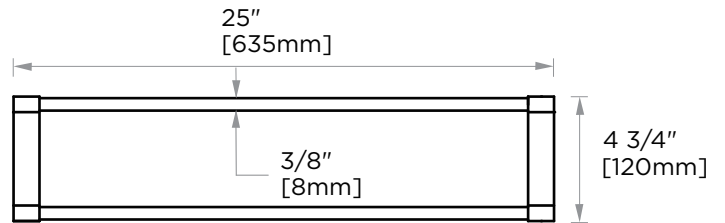
**PRODUCT NAME:** DOUBLE TOWEL SHELF

**PRODUCT CODE:** 422442

**MATERIAL:** All-brass construction

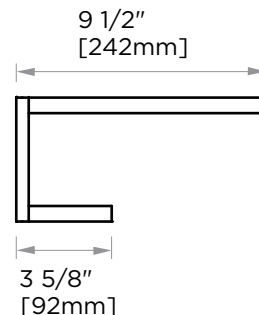
**KEY FEATURES:** Contemporary design. Fine-lined yet bold in its thin and linear silhouette.

**STOCKED FINISHES:** ● Polished Chrome (99)  
● Brushed Nickel (81)



**SPECIAL FINISHES AVAILABLE:** 26 options available. Please see our website for full list samples

**WARRANTY:**  
Lifetime Limited (Residential Use)  
One Year (Commercial Use)



NOTE: Dimensions and specifications are subject to change without notice.