

Features

- Made from premium materials that withstand high-volume usage
- Constructed of vitreous china
- 20" x 18"
- Wall-mount installation
- 8" center drilling
- Drilled for concealed arm carrier
- With sealed overflow for commercial hospitals jobs

Recommended Products/Accessories

K-8998 P-Trap

Included Components

Additional Components:

Hanger(s)



ADA CSA B651 OBC

Codes/Standards

ASME A112.19.2/CSA B45.1

ADA

ICC/ANSI A117.1

CSA B651

OBC

KOHLER® One-Year Limited Warranty

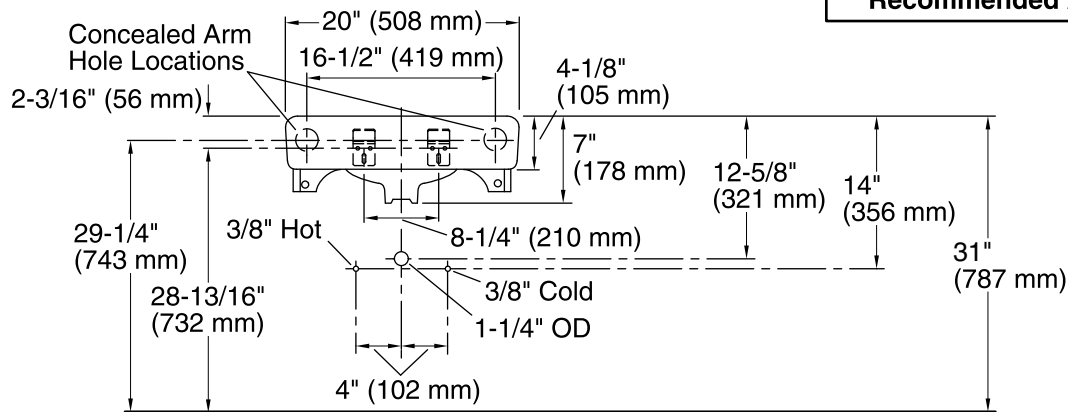
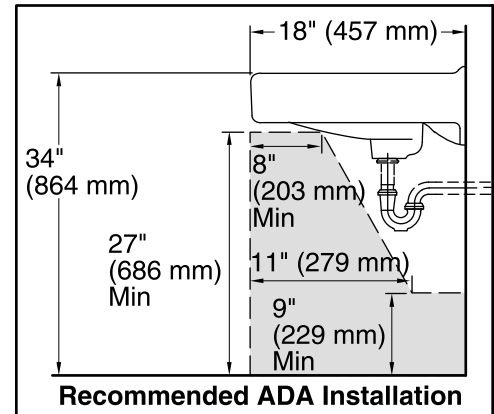
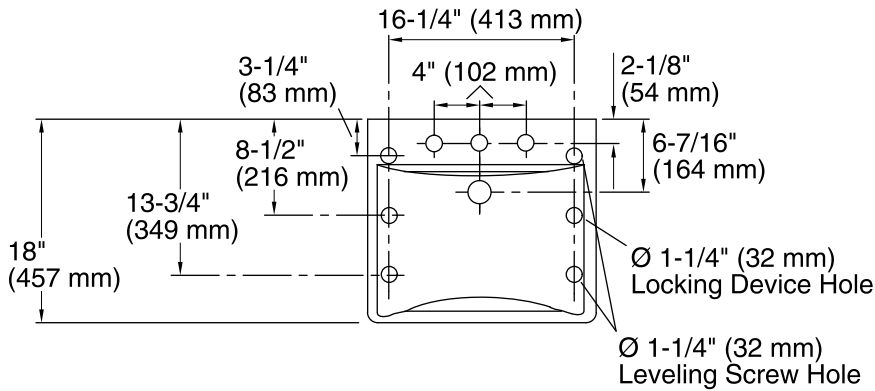
See website for detailed warranty information.

Available Colors/Finishes

Color tiles intended for reference only.

Color	Code	Description
-------	------	-------------

	0	White
--	---	-------



Standard Installation

Technical Information

All product dimensions are nominal.

Bowl configuration: Single
 Installation: Wall-mount
 Bowl area (Center): Length: 18" (457 mm)
 Width: 13" (330 mm)
 With overflow: Yes
 Water depth: 4-7/8" (124 mm)

Number of deck holes: 3
 Faucet hole spacing: 8" (203 mm)
 Faucet hole(s): 1-3/8" (35 mm)
 Soap/Lotion hole: 1-1/4" (32 mm)
 Drain hole: 1-3/4" (44 mm)

Notes

Install this product according to the installation instructions.

ADA, OBC, CSA B651 compliant when installed to the specific requirements of these regulations.