

Technology

- Frameless, 5/16-inch-thick tempered Frosted glass.
- Center-guided door system for smooth, quiet sliding action.
- Frameless design with minimal metal allows for greater ease of cleaning.
- Contemporary towel bar and knob combination offers storage on the outside of the door without encroaching on the bathing space.
- Low bottom track creates easy entry and exit to the bathing space.
- CleanCoat® nanotechnology helps prevent bacteria, mildew and water stains on your glass, making it easy to clean and looking new.
- Out-of-plumb adjustability for simpler installation.

Installation

- Sliding shower door.
- Not for use in hospitality.
- For residential use only.

Included Components

Additional Components:
Hardware kit



Codes/Standards

ANSI Z97.1
CPSC 16CFR 1201

KOHLER® One-Year Limited Warranty

See website for detailed warranty information.

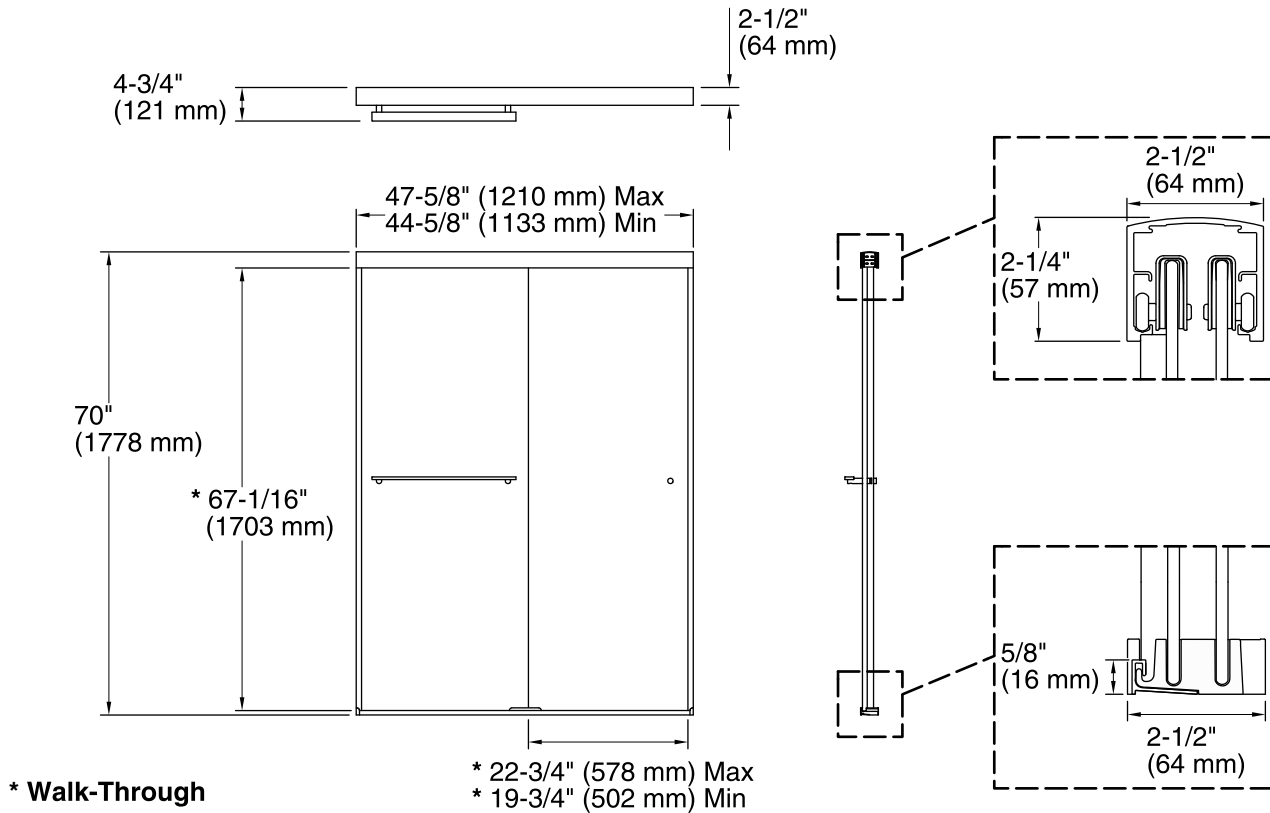
Available Colors/Finishes

Color tiles intended for reference only.

Color	Code	Description
	SHP	
	ABZ	
	BNK	

Available Glass Options

Code	Description
D3	Frosted



Technical Information

All product dimensions are nominal.

Installation type: For shower base installation

Opening style: Sliding/Bypass

Opening Width - Min: 44-5/8" (1133 mm)

Opening Width - Max: 47-5/8" (1210 mm)

Walk-through - Min: 19-3/4" (502 mm)

Walk-through - Max: 22-3/4" (578 mm)

Glass thickness: 5/16" (8 mm)

Glass coating: CleanCoat®

Notes

Install this product according to the installation guide.

Wall jambs are made of clear plastic and may not cover existing shower door holes.

NOTICE: The vertical opening should be a minimum of 72-1/2" (1842 mm) to allow clearance for installing the top track over the wall jambs.