

Features

- Two-handle gooseneck bathroom sink faucet.
- 3-11/16" (94 mm) gooseneck spout with rosespray.
- 7-5/16" (186 mm) wall-to-spout outlet.
- 1.2 gpm (gallons per minute) maximum flow rate.
- Lever handles with red/blue indexing (ADA compliant with correct installation).
- Optional decorative handle covers.
- KOHLER ceramic disc valves exceed industry longevity standards two times for a lifetime of durable performance.
- Less drain.
- Adjustable flanges.
- External NPT connections.
- Low Lead-Safe Drinking Water Act (SDWA) compliant.

Material

- Brass construction.

Installation

- 3" vertical wall-mount installation.
- Pairs with the Brockway wall-mounted wash sink.

Recommended Products/Accessories

K-3200 Utility Sink
K-3202 Utility Sink
K-3203 Utility Sink



ADA CSA B651 OBC

Codes/Standards

ASME A112.18.1/CSA B125.1
NSF/ANSI 61
NSF/ANSI 372
All applicable US Federal and State material regulations
DOE - Energy Policy Act 1992
EPA WaterSense®
California Energy Commission (CEC)
ADA
ICC/ANSI A117.1
CSA B651
OBC



KOHLER® One-Year Limited Warranty

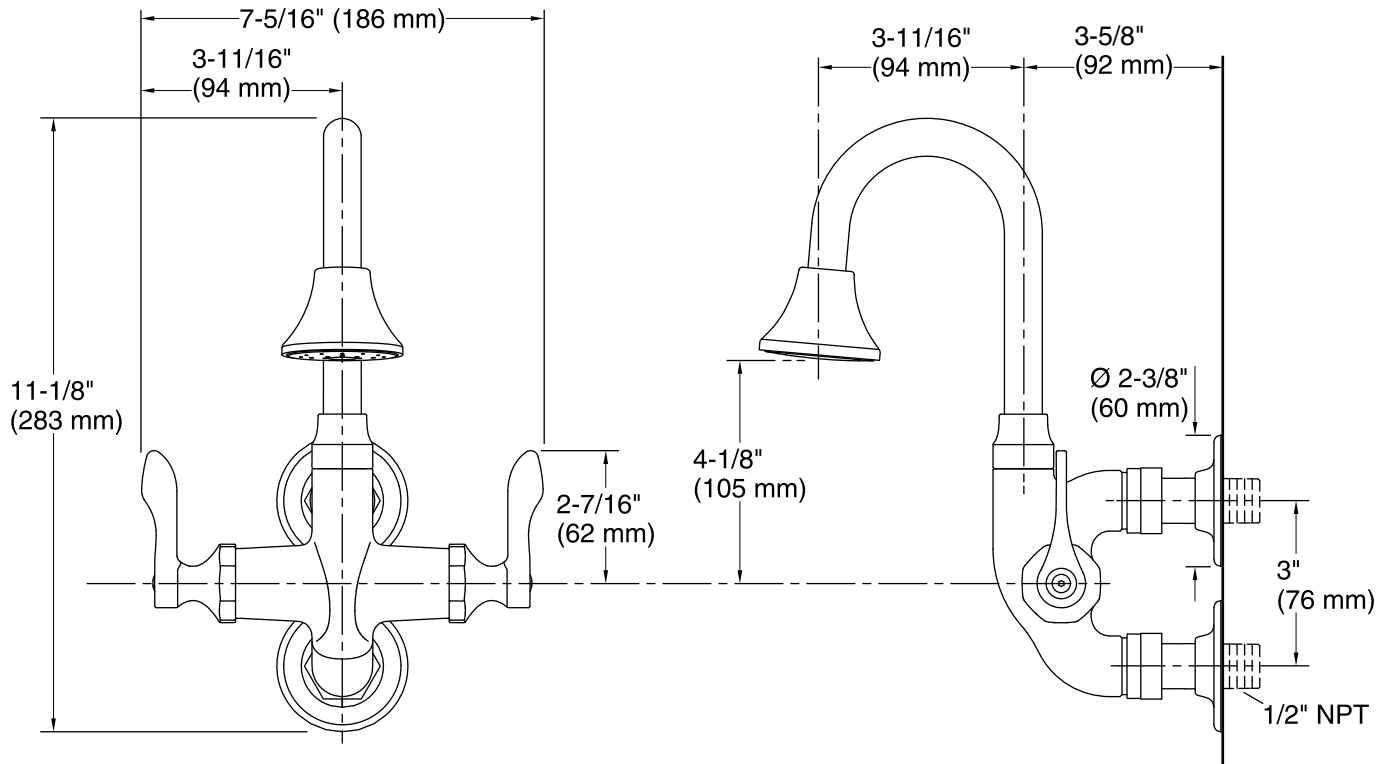
See website for detailed warranty information.

Available Colors/Finishes

Color tiles intended for reference only.

Color Code Description

| | | |
|--|----|-----------------------|
|  | CP | Polished Chrome |
|  | SR | Vibrant Bright Nickel |



Technical Information

All product dimensions are nominal.

Faucet:

Flow rate: 1.2 gal/min (4.5 l/min)

Pressure: 60 psi (4.1 bar)

Spout:

Spout reach: 3-11/16" (93 mm)

Notes

Install this product according to the installation instructions.

ADA, OBC, CSA B651 compliant when installed to the specific requirements of these regulations.