

## Features

- Complete with Factory Installed Tank Trim, Trip Lever, Tank-to-Bowl Gasket, Washers, Bolts and Nuts
- 1.6 gpf / 6.0 lpf
- Fits Toilet Bowl Models: 117, 130, 131, 135, 137, 138 and 139NS
- Available in White or Standard Colors: Biscuit and Bone
- Mansfield's limited lifetime warranty (china)
- Limited one year parts warranty



Model 160


## Components

Model #	Description	Codes/Standards
160	Alto® toilet tank with flush valve, ballcock and chrome-plated metal trip lever.	
160RH	Same as model 160, with chrome-plated plastic, right hand, trip lever.	
161	Same as model 160, with anti-siphon pilot valve.	
165	Same as model 160, with cover lock.	
170	Same as model 160, with toilet tank liner.	
171	Same as model 160, with toilet tank liner and anti-siphon pilot valve.	
172	Same as model 160 with pilot valve, 2" flapper and chrome lever.	
172RH	Same as above with right hand trip lever.	
173	Same as model 160, with color-match trip lever, pilot valve and 2" flapper.	
173RH	Same as above with right hand trip lever.	
174	Same as model 160, with color-match trip lever, tank liner, pilot valve and 2" flapper.	
175	Same as model 160, with cover lock and toilet tank liner.	
180	Same as model 160, with color-match trip lever.	
181	Same as model 160, with color-match trip lever and anti-siphon pilot valve.	
190	Same as model 160, with color-match trip lever and toilet tank liner.	



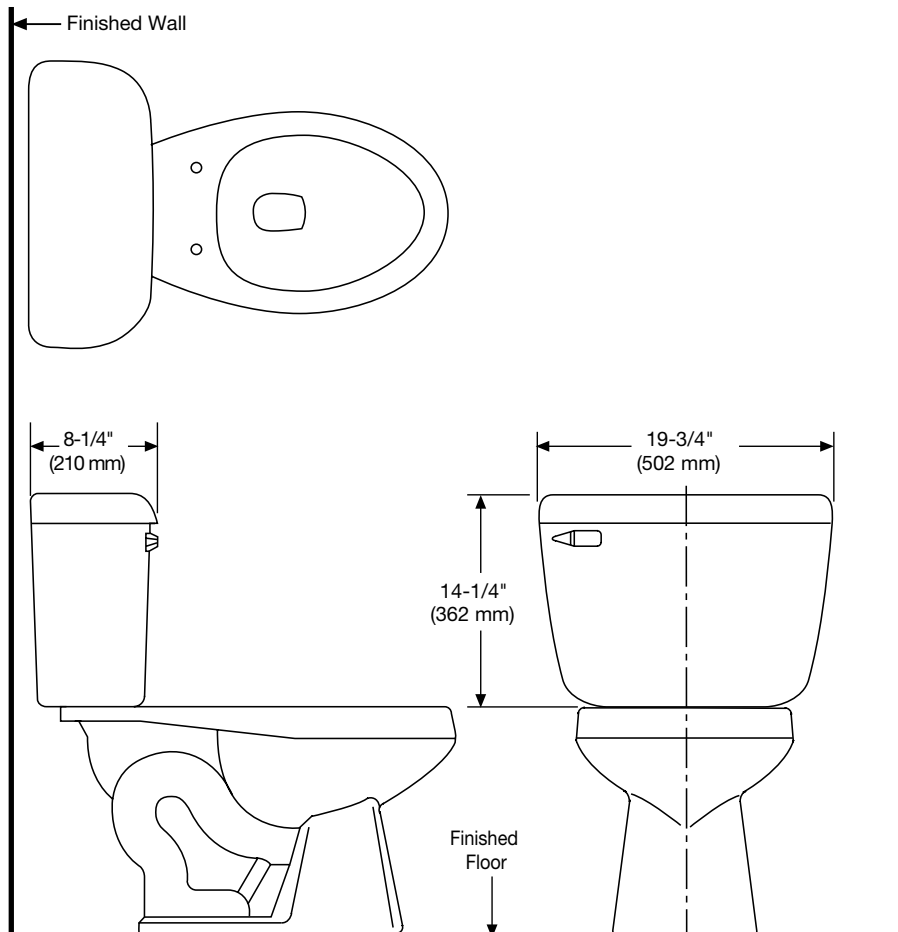
**MADE IN USA**

## Specifications

Model #	Description	Codes/Standards
160	Toilet tank (1.6 gpf/6.0 lpf)	

Specification	Description	Specification	Description
Material	Vitreous China	Shipping Weight	Model 160 - 34 lbs. (15.4 kg)
Water Pressure Range	15 to 125 PSI	Warranty	Vitreous China - Limited Lifetime Tank Trim - Limited One Year
Water Usage	1.6 gpf / 6.0 lpf		
Flush System	SmartFlush™ Flushing Technology		

## Technical Information



See our complete line of acrylic and vitreous china bathroom fixtures, plastic tank trim and plumbing products.

These dimensions are nominal and subject to change without notice.

Fixture performance and specifications meet or exceed ASME A112.19.2-2008/CSA B45.1-08 standards, and other state and local codes.



**MADE IN USA**