

WEYMOUTH®
Diverter Tub Spout

Models: S12104 Series

DESCRIPTION

- Metal construction with various finishes identified by suffix
- 1/2" CC connections

OPERATION

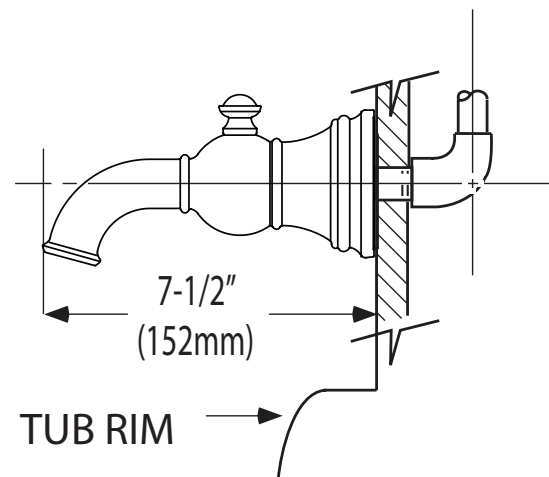
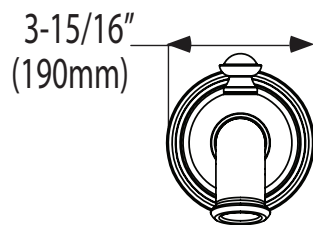
- The diverter is designed to automatically return to the tub fill position when the valve is shut off

STANDARDS

- Third party certified to meet ASME A112.18.1/CSA B125.1 and all applicable requirements referenced therein

WARRANTY

- Lifetime limited warranty against leaks, drips and finish defects to the original homeowner
 - 10 year limited warranty when used in a multifamily installation
 - 5 year limited warranty when used in a commercial installation
- Visit www.moen.com/support for complete details and limitations



CRITICAL DIMENSIONS

(DO NOT SCALE)