

Technical Specification

Adjustable-Length Curved Shower Rod

CSR2169

Stock Numbers:

□ **CSR2169CH - Adjustable-Length Curved Shower Rod**

Chrome Finish

Adjusts to fit shower enclosures between 40-inches to 72-inches

□ **CSR2169BN - Adjustable-Length Curved Shower Rod**

Brushed Nickel Finish

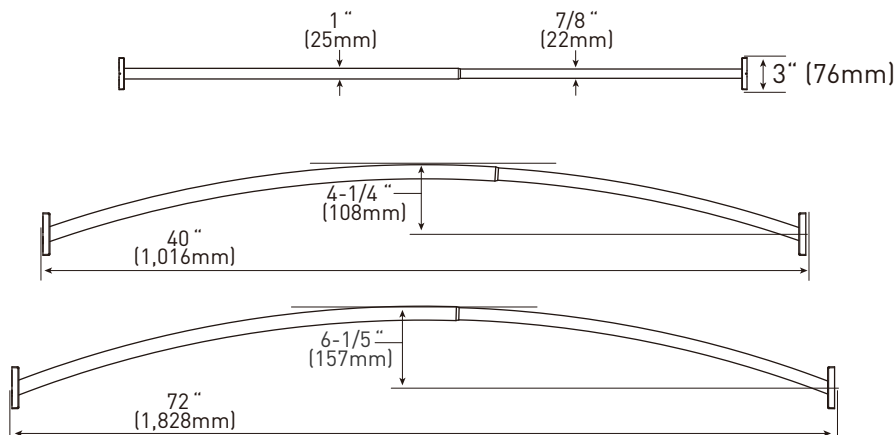
Adjusts to fit shower enclosures between 40-inches to 72-inches

□ **CSR2169BL - Adjustable-Length Curved Shower Rod**

Matte Black Finish

Adjusts to fit shower enclosures between 40-inches to 72-inches

Dimensions:



Materials:

Curved Shower Rods are made of .028 (22 gauge) seamless type 430 stainless steel. **Decorative Covers** are stamped from .020 type 304 stainless steel.

Pivoting Mounting Post is made from POM. The **screw** in the pivoting post assembly is made from stainless steel.

Rod connector is made from polyethylene.

Stock Number: _____ CSR2169
Adjustable-Length Curved Shower Rod

MOEN®

25300 AL MOEN DRIVE • NORTH OLMSTED, OH 44070
CONSUMER SUPPORT: (800) 289-6636 • FAX: (800) 848-6636
INTERNATIONAL: (440) 962-2000 • FAX: (440) 962-2726
CUSTOMER SERVICE (USA): 800-882-0116 • FAX: (888) 379-2720
WWW.MOEN.COM
© 2023 Moen Incorporated.