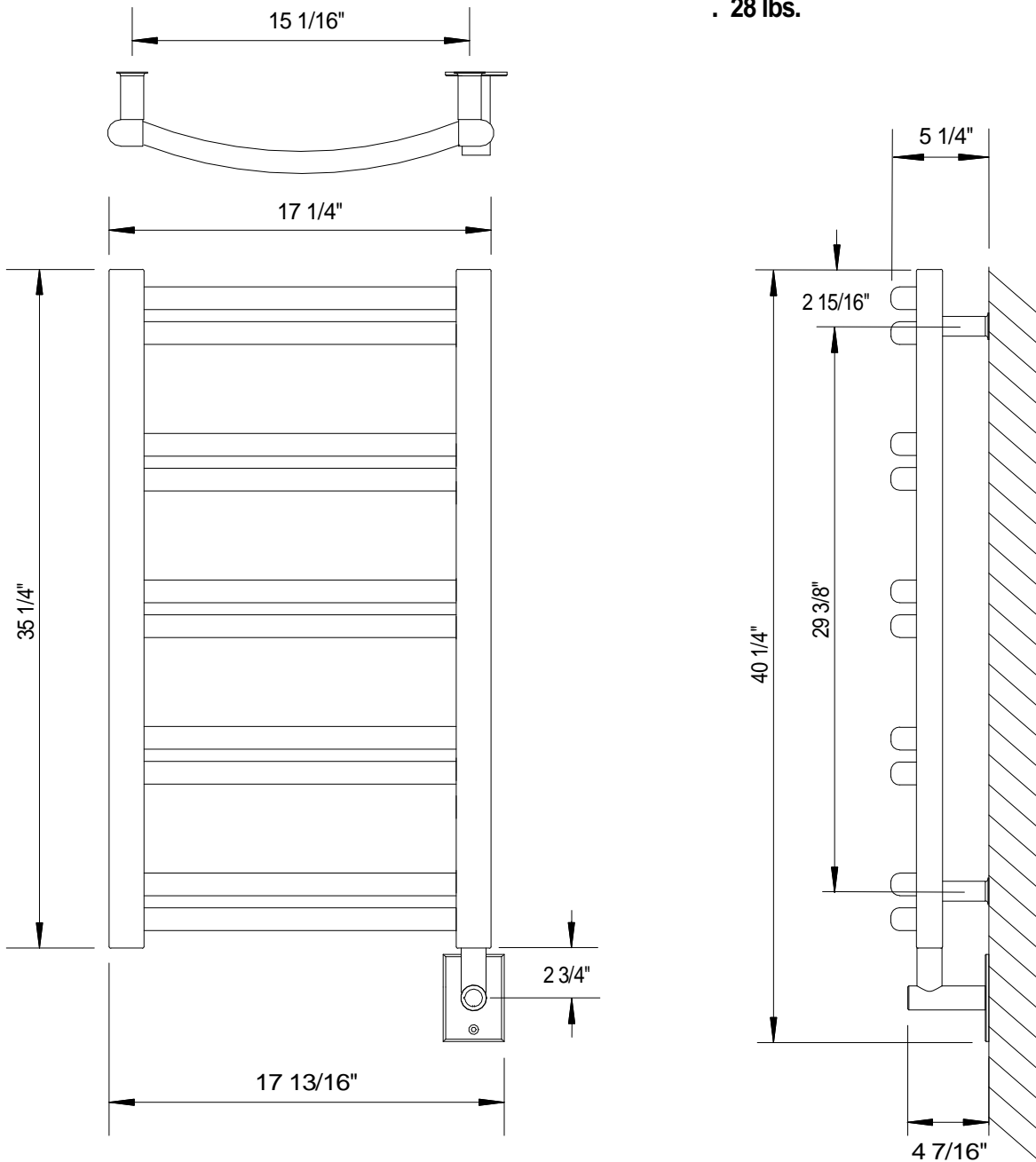




Ferlo ECMH3-2 Contemporary ELECTRIC

Technical Information

- . 120VAC 60Hz 100/150W .91/1.36A*
- . 1-1/2" "D" Vertical Tubes
- . 1" Oval Horizontal Tubes
- . Smart Thermo Control Element
- . Brass Construction
- . 28 lbs.



*Represents draw at steady state. Power could be higher during warm up.
Lower value = Plated Finishes
Higher Value = Painted Finishes

ECMH3-2
No Scale
REVA 11/07/09