

NEWPORT BATH

Features

- Solid brass construction
- 7.35" (18.7 cm) spout length
- 3/4" NPT inlet fitting (1/2" bushing included)
- Complements Joffery product series

Wall Tub Spout **20-258**

Codes / Standards Compliance

Meets or exceeds the following at date of manufacture:

- All applicable US Federal and State material regulations



Colors / Finishes

- 10B: Oil Rubbed Bronze
- 15: Polished Nickel
- 15S: Satin Nickel - PVD
- 26: Polished Chrome
- Other: Refer to the Newport Brass catalog for additional color/finish options.

Specified Model

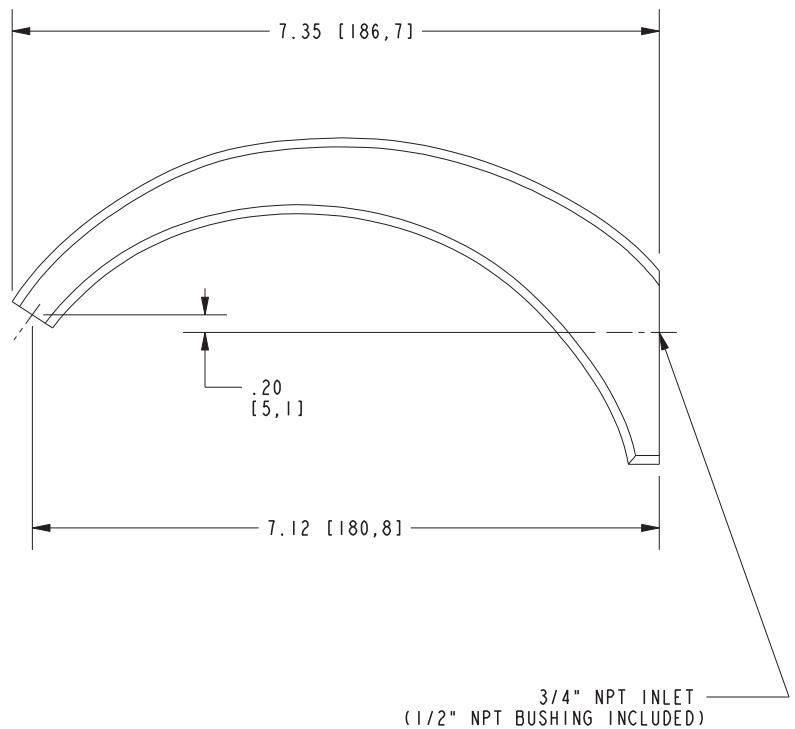
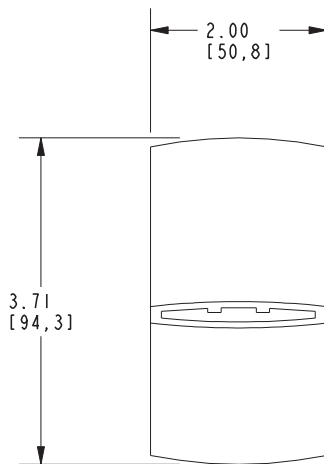
Model	Description	Colors Finishes
20-258	Wall Tub Spout	<input type="checkbox"/> 10B <input type="checkbox"/> 15 <input type="checkbox"/> 15S <input type="checkbox"/> 26 <input type="checkbox"/> Other

Product Specification Add "Color / Finish" suffix to Model number, below.

Wall-Mounted Tub Spout shall be made of solid brass construction. Tub spout shall have a length of 7.35" (18.7 cm) and incorporate a 3/4" NPT inlet fitting (adaptable to 1/2" NPT via included adapter). Tub Spout shall be Newport Brass Model 20-258/____.

20-258

PRODUCT DIMENSIONS *(Units are in inches)*



Newport Bath Wall Tub Spout
20-258

Page 2 of 2 Spec_20-258
EN-4300ii

NEWPORT BRASS
Flawless Beauty. From Faucet to Finish.™

t: 949.417.5207 | www.newportbrass.com
©2021 Brasstech, Inc.