

# STRIPLING

## Water Dispenser 3310-5603



### Features

- Solid brass construction
- Quarter-turn washerless ceramic disc valve cartridges
- Contemporary lever handle design
- Spout assembly with integral supply hoses
- Spring-loaded, normally closed lever handle
- 6.97" (17.7 cm) spout height at outlet
- 4.75" (12.1 cm) spout reach (c-c)
- For single hole configurations
- 1.5 GPM (5.7 LPM) Max

### Codes / Standards Compliance

Meets or exceeds the following at date of manufacture:

- ASME A112.18.1/CSA B125.1
- IAMPO/cUPC
- NSF/ANSI/CAN 61, SECTION 9
- NSF/ANSI 372
- IPC
- Energy Policy Act of 1992
- California Energy Commission
- All applicable US Federal and State material regulations

### Colors / Finishes

- 10B: Oil Rubbed Bronze
- 15: Polished Nickel
- 15S: Satin Nickel - PVD
- 26: Polished Chrome
- Other: Refer to the Newport Brass catalog for additional color/finish options.



### Specified Model

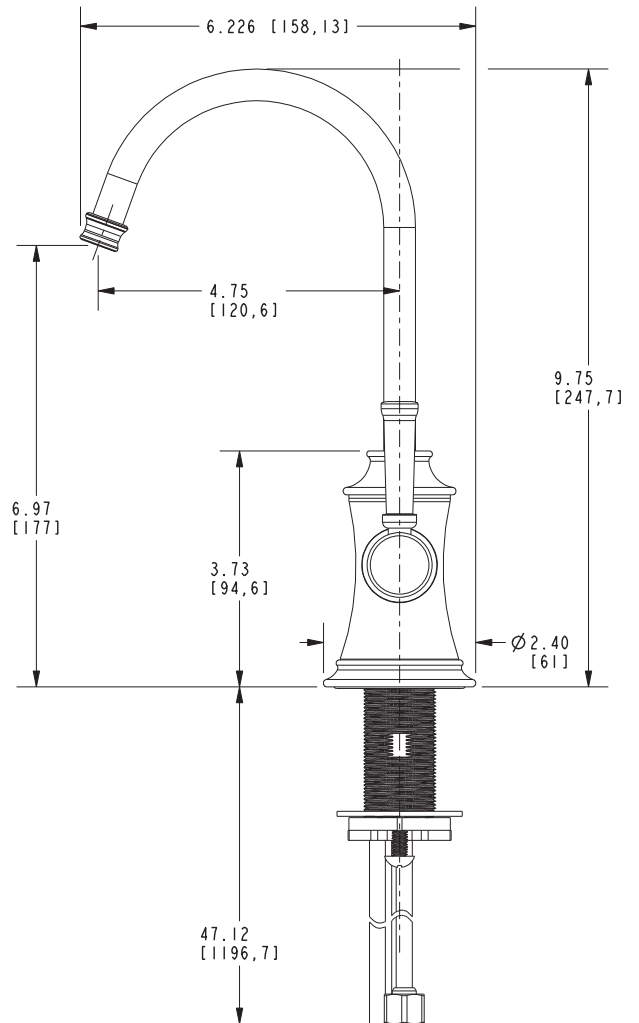
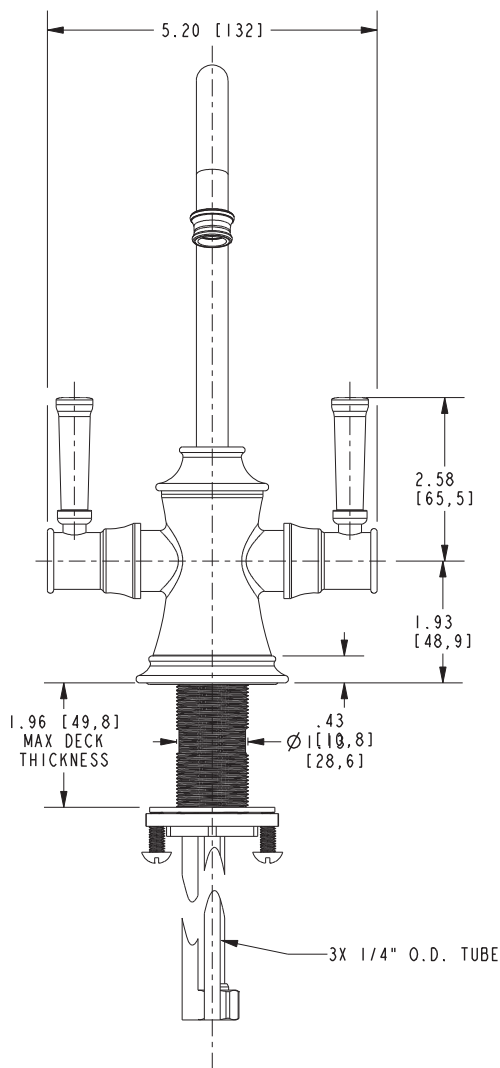
Model	Description	Colors   Finishes
3310-5603	Hot and Cold Water Dispenser	<input type="checkbox"/> 10B <input type="checkbox"/> 15 <input type="checkbox"/> 15S <input type="checkbox"/> 26 <input type="checkbox"/> Other
5-036	Point-of-Use Water Heater (115V, 140°F to 190° range)	NA

### Product Specification Add "Color / Finish" suffix to Model number, below.

The Hot and Cold Water Dispenser Faucet shall be made of solid brass construction. Faucet shall incorporate a spout assembly with integral supply hoses and feature quarter-turn washerless ceramic disc valve cartridges. Faucet shall incorporate a contemporary lever handle design and feature a spring-loaded, normally closed hot lever mechanism. Hot and Cold Water Dispenser Faucet shall have a 1.5 gallon (5.7 liters) per minute maximum flow rate and accommodate single hole configurations. Product shall incorporate a 6.97" (17.7 cm) spout height at outlet and a 4.75" (12.1 cm) spout reach (c-c). Hot and Cold Water Dispenser Faucet shall be Newport Brass Model 3310-5603/\_\_\_\_\_. [Point-of-Use Water Heater shall be Newport Brass Model 5-036].

# 3310-5603

Product Dimensions are provided for reference only. For specific product installation guidelines, please reference the Installation Instructions of the product being installed.



## Stripling Water Dispenser 3310-5603