

Please take note that this manual uses the following symbols to emphasize particular information:

⚠ WARNING

Identifies an instruction which, if not followed, might cause serious personal injuries including possibility of death.

CAUTION

Denotes an instruction which, if not followed, may severely damage the unit and/or its components.

💡 **Indicates a supplementary information that may relate to optional parts or simply aim to facilitate a task.**

⚠ WARNING

TO REDUCE THE RISK OF FIRE, ELECTRIC SHOCK, OR INJURY TO PERSON(S) OBSERVE THE FOLLOWING:

1. Use this unit only in the manner intended by the manufacturer. If you have questions, contact the manufacturer.
2. Before cleaning this unit, turn off the power to the AHU at service panel. (Powered by AHU)
3. This unit is not designed to provide combustion and/or dilution air for fuel-burning appliances.
4. Installation work must be done by qualified person(s) in accordance with all applicable codes and standards, including fire-rated construction.
5. When cutting or drilling into a wall or ceiling, do not damage electrical wiring and other hidden utilities.

1. PREPARATION

Before you start:

Choose the best location and installation type for the FIN-6MD according to the current system. Ducting widely affects the performance of this type of device. Use the shortest, straightest duct run possible to maximize the results.

CAUTION

Do not install in an area where the temperature may exceed 160°F

The installer shall ensure that, if necessary, an in-line heater sized according to the required airflow and outside design heating temperature from Manual J or ASHRAE table is installed to ensure that the air delivered to the AHU is never below the minimum temperature allowed by the manufacturer. The in-line heater shall have an integrated airflow sensor and an over temperature sensor to prevent heating in no-flow or low-flow conditions.

When deciding if a preheater is required and whether it should be installed BEFORE or AFTER the FIN-6MD, consider the following:

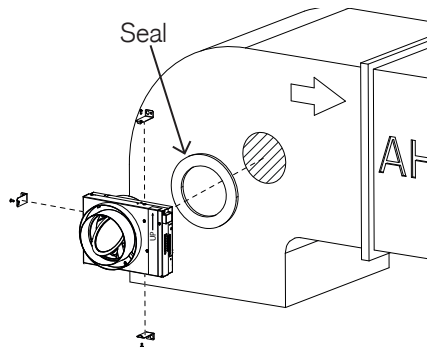
- The FIN-6MD's minimum operating temperature is -4°F.
- The temperature distributed to the AHU should never be below the temperature recommended by the AHU manufacturer.
- The minimum distance between the preheater and the FIN-6MD is 12 inches.

2. INSTALLATION

Always respect the orientation of the FIN-6MD and the direction of the airflow, as indicated on the unit.

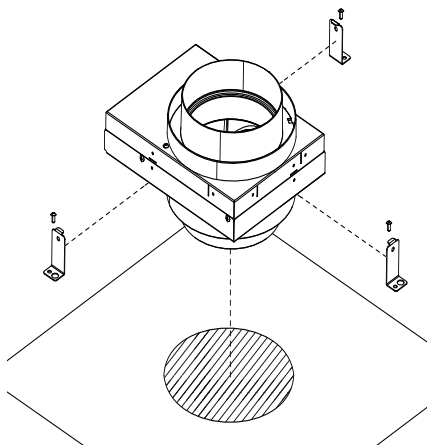
Direct-to-AHU is the fastest and easiest method:

1. Make a 6-inch diameter hole in the return duct of your AHU.
 2. Install the seal on the FIN-6MD port that will insert the AHU ducting. Make sure that the direction of the airflow indicated on the unit is respected.
 3. Install the 3 installation brackets on the unit, as illustrated.
 4. Mark and drill holes for the brackets on the AHU ducting and, using appropriate screws, secure the FIN-6MD to the duct of the AHU, making sure it is level horizontally.
- 💡 Use self-drilling screws (not included) to avoid marking and drilling steps.
5. Follow steps in section 3 to connect the insulated duct to the FIN-6MD.
 6. Perform the electrical connection to the AHU following the wiring diagram in section 4.

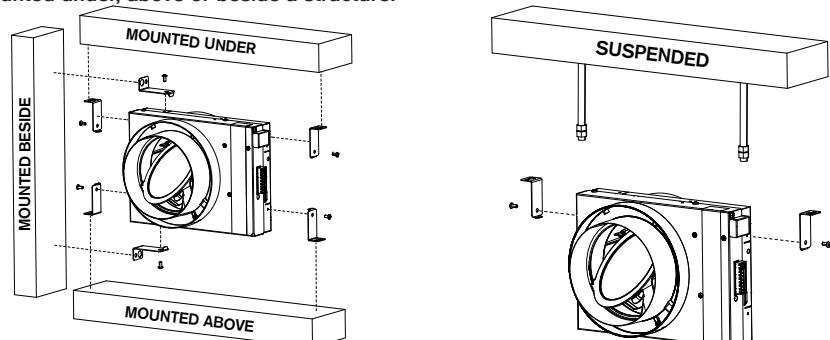


Through a horizontal surface:

1. Make a hole in the surface that the duct will run through. Size the hole so that the vapor barrier of the insulated ducting is not damaged, and the insulation not compressed.
2. Install the 3 installation brackets on the unit, as illustrated.
3. Run a piece of insulated duct through the hole and connect to the FIN-6MD following the steps in section 3. Make sure the direction of the airflow as indicated on the unit is respected.
4. Push the excess ducting on the other side of the surface and, using appropriate screws, secure the FIN-6MD to the surface.
5. Run the insulated duct to the AHU and connect to the AHU ducting, making sure that the vapor barrier sealing is leak-free.
6. Follow steps in section 3 to connect the second insulated duct to the FIN-6MD.
7. Perform the connections to the AHU following the wiring diagram in section 4.



Mounted under, above or beside a structure:



1. Install 2 installation brackets on the unit, as illustrated, according to the surface the unit will mount to.
2. Using appropriate screws, secure the FIN-6MD to the structure, making sure it is level horizontally. Make sure the direction of the airflow as indicated on the unit is respected.
3. Follow steps in section 3 to connect both insulated ducts to the FIN-6MD.
4. Run the insulated duct to the AHU and connect to the AHU ducting, making sure that the vapor barrier sealing is leak-free.
5. Perform the connections to the AHU following the wiring diagram in section 4.

6. When cleaning or performing installation of this unit, it is recommended to wear safety glasses and gloves.
7. When applicable local regulation comprises more restrictive installation and/or certification requirements, the aforementioned requirements prevail on those of this document and the installer agrees to conform to these at his own expense.
8. The unit must be mounted at least 3.3 feet (1.0 meter) away from any accessible opening of the duct.
9. Must be powered using a Class 2 transformer rated 10VA or higher.

CAUTION

1. Please read specification label on product for further information and requirements.
2. Do not intake air into spaces within walls or ceiling or into attics, crawl spaces, or garage. Do not attempt to recover the exhaust air from a dryer or a range hood.
3. Intended for residential installation only in accordance with the requirements of NFPA 90B.
4. When leaving the house for a long period of time (more than two weeks), a responsible person should regularly check if the unit operates adequately.
5. At least once a year, the unit mechanical and electronic parts should be inspected by qualified service personnel.
6. Since the electronic control system of the unit uses a microprocessor, it may not operate correctly because of external noise or very short power failure. If this happens, turn power off at AHU service panel and wait approximately 10 seconds. Then, restore the power to the unit.
7. Outdoor intake hood must be weather tight and comprise a bird screen.
8. Should you decide to dispose of this unit or of parts of it, do so in accordance with local laws and regulation.

3. CONNECTING THE INSULATED DUCTS TO THE UNIT

CAUTION

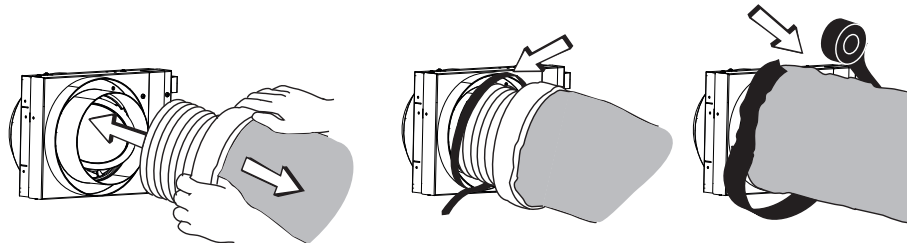
Always use insulated ducting of a minimum R-4 insulation factor.

1. Slide the inner flexible duct over the port and secure it using a tie wrap.
2. Pull the insulation over the flexible duct and port without compressing it.
3. Use duct tape to seal the outer membrane of the insulated duct to the outer ring of the port.

⚠ WARNING

Make sure the outdoor intake hood is at least 18 inches above the ground and 6 feet away from any of the following: Dryer exhaust, high-efficiency furnace vent, central vacuum vent, gas meter exhaust, gas barbecue-grill, any exhaust from a combustion source, garbage bin and any other source of contamination.

- 💡 Make sure that the outdoor intake hood is easily accessible for annual maintenance. If located above the first floor, place it close to a window or balcony to allow easy access.



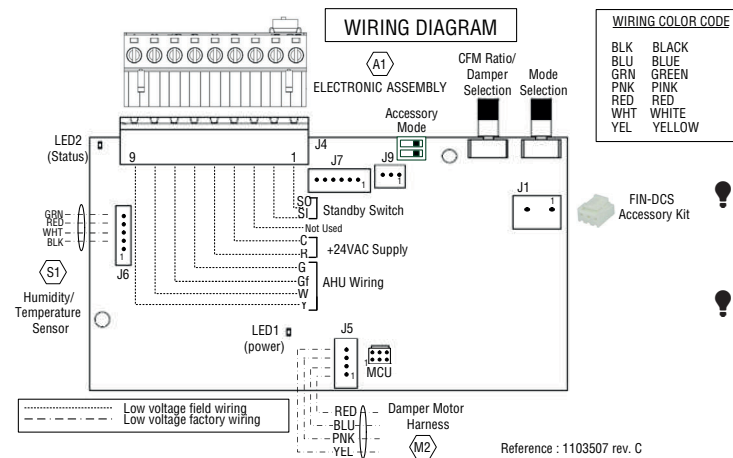
4. WIRING DIAGRAM

⚠ WARNING

Risk of electric shock. Electrical wiring must be done by qualified personnel in accordance with all applicable codes and standards. Before connecting wires, switch off the power to the AHU at service panel and lock service disconnecting means to prevent power from being switched on accidentally.

CAUTION

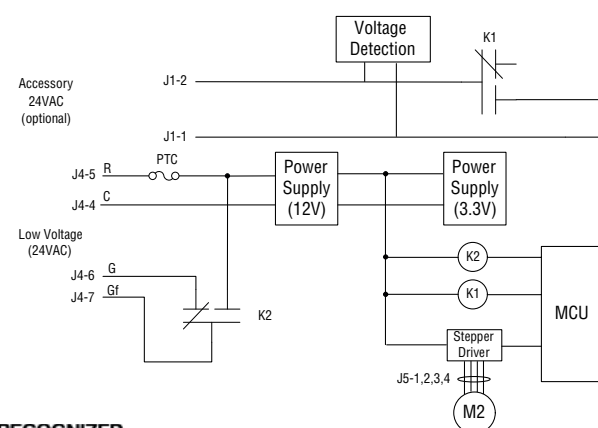
Faulty connections can cause damage to the AHU, to the thermostat and/or to this unit. Always double check connections before turning power back on.



💡 The terminal block can be removed for easier connection.

💡 Use the included tie wrap and the loop above the terminal block to secure the wires and reduce the risk of broken connections.

LOGIC DIAGRAM



RECOGNIZED COMPONENT

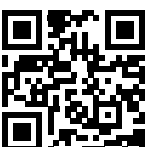


Intertek
5011110
CONFORM TO
UL STD. 1995

AHU wiring next page

For complete warranty statement, and to register your product online, go to www.broan-nutone.com.

READ AND SAVE THESE INSTRUCTIONS



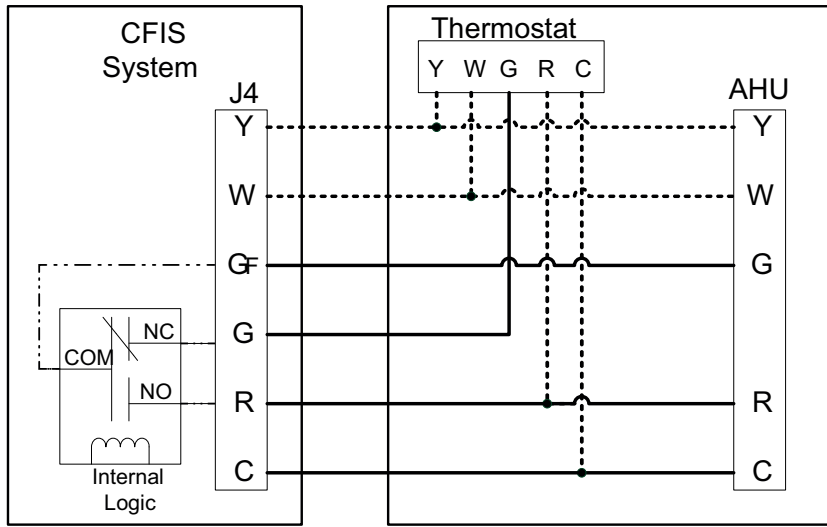
Scan to view our installation video.



1103500D

4.1 AHU WIRING

AHU Wiring Options



Ref. : 1103507 rev. C

- Mandatory Installation Wiring
- - - CFIS Internal Hard Connections
- Optional Installation Wiring for Synchronization

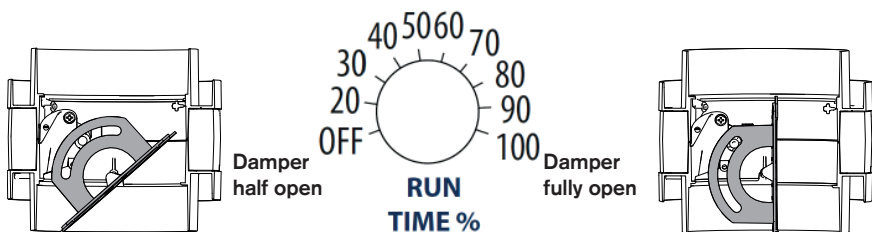
Synchronize the FIN-6MD operation with the heating and cooling run-time to prevent unnecessary central fan operating time (refer to the dotted lines in the above diagram).

5. SETTING UP THE UNIT

When powered ON, the FIN-6MD performs a 30-second booting sequence followed by a 30-minute period where it stays OFF, but will activate if a heating or cooling call is sent to the AHU.

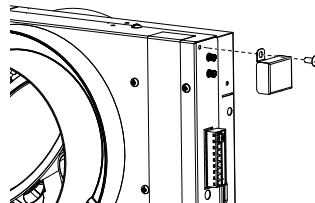
Refer to local building codes to determine the required airflow.

1. Doublecheck the wiring, and turn power back ON to the AHU.
2. Set the thermostat to send a heating or cooling call, or jump R and Y on the terminal block. This will force the ventilation ON for at least 5 minutes.
3. Measure the airflow.
If it needs adjustment, perform steps 4. If the airflow does not need adjustment, go to step 5.
4. The damper is factory set to fully open position. To adjust it, set the left pot to **DAMPER ADJUSTMENT** to start the AHU blower, and wait 5 seconds. The LED will blink continuously to indicate the unit is in DAMPER ADJUSTMENT mode.
While measuring the airflow, adjust the damper using the RUN TIME % pot until you've reached the desired value.



5. Select the desired mode according to the table and map in section 7.3. Doing so also saves the damper adjustment made in the previous step if applicable.
6. Set the RUN TIME % pot.
$$\text{Run time \%} = \frac{\text{Required Airflow}}{\text{Measured Airflow}}$$

Example : Run Time % = $\frac{60 \text{ CFM}}{120 \text{ CFM}} = 50\%$
7. Install the supplied cover to protect the adjustment pots and prevent an accidental change of settings. Note that the hole may be hidden by the label.



6. TESTING

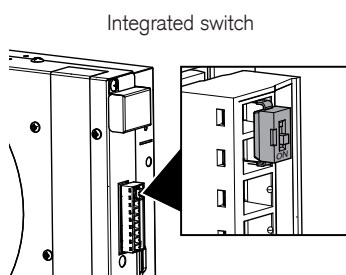
When powered ON, the FIN-6MD performs a 30-second booting sequence followed by a 30-minute period where it stays OFF, but will activate if a heating or cooling call is sent to the AHU.

6.1 BLOWER DOOR TEST (FORCE THE DAMPER CLOSED)

If the access to the integrated switch OR to the remote switch (if applicable) is **easy**, set the integrated switch OR remote switch to OFF.

If the access to the switch is **not easy**, such as in an attic:

1. Turn OFF the power to the AHU at the service panel.
2. Turn the power to the AHU back ON at the service panel.
3. Wait 30 seconds for the booting sequence to execute.
4. Make sure that the thermostat will not send a heating or cooling call.
5. Unit is OFF with its damper closed for 30 minutes, but will activate if a heating or cooling call is sent to the AHU.



6.2 VENTILATION TEST (FORCING THE UNIT ON):

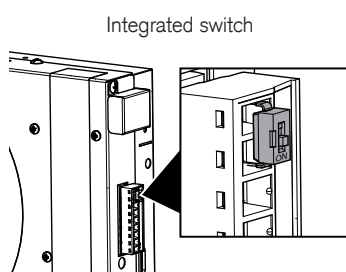
1. Turn OFF the power to the AHU at the service panel, and make sure that the integrated or remote switch is set to ON.
2. Turn the power back ON at the service panel.
3. Wait 30 seconds for the booting sequence to execute.
4. Set the thermostat to send a heating or cooling call, or jump R and Y on the terminal block. This will force the ventilation ON for at least 5 minutes.

7. USER INFORMATION

7.1 INTEGRATED AND REMOTE SWITCHES

This unit is equipped with an integrated ON/OFF switch. For more convenience, your FIN-6MD can also be connected to a remote switch.

To use a remote switch, disconnect the integrated switch and connect the remote switch in the same manner that the integrated one was connected.



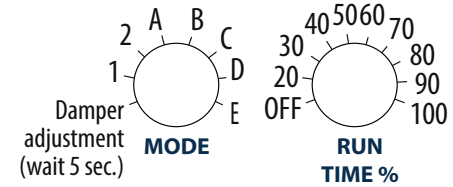
7.2 USER SERVICING INSTRUCTIONS

- Inspect the outdoor air intake at least once a year.
- These recommendations may change according to the environmental conditions in your area.

7.3 COMFORT MODE

Should the air inside your house become too humid, or if such conditions want to be prevented, the operation mode of your FIN-6MD can be changed from a Code-Compliant one (modes 1 and 2) to a Comfort Mode (modes A to E). Refer to the map below to make the right choice.

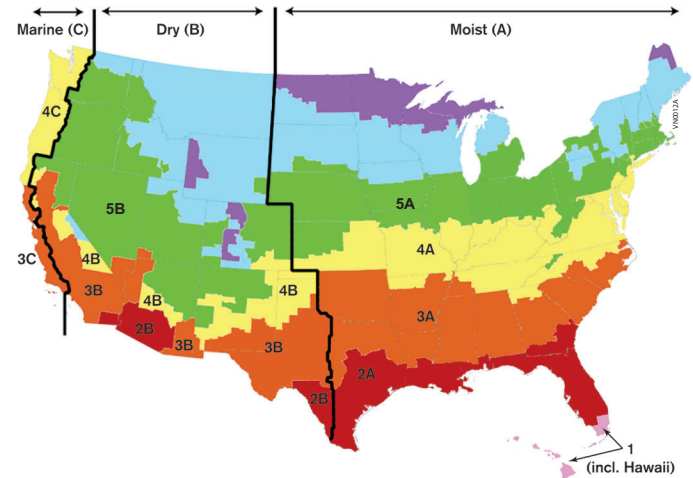
When making such change, make sure to only change the Mode and to leave the Run time % as it was set by your installer. If in doubt, refer to your HVAC contractor.



Selected mode*	Climate Zones**
1 - Ashrae 2010/IRC/IMC (factory set)	Zones 1-5
2 - Ashrae 2016/2019	Zones 1-5
A - Comfort mode Hot / Humid #1	Zones 2A and 1
B - Comfort mode Hot / Humid #2	Zones 1 and 2A
C - Comfort mode Hot / Dry	Zone 2B
D - Comfort mode Mixed / Humid	Zones 3A, 4A, 5A, 3C and 4C
E - Comfort mode Mixed / Dry	Zones 3B, 4B and 5B

*Refer to the label on the unit for the full limits table.

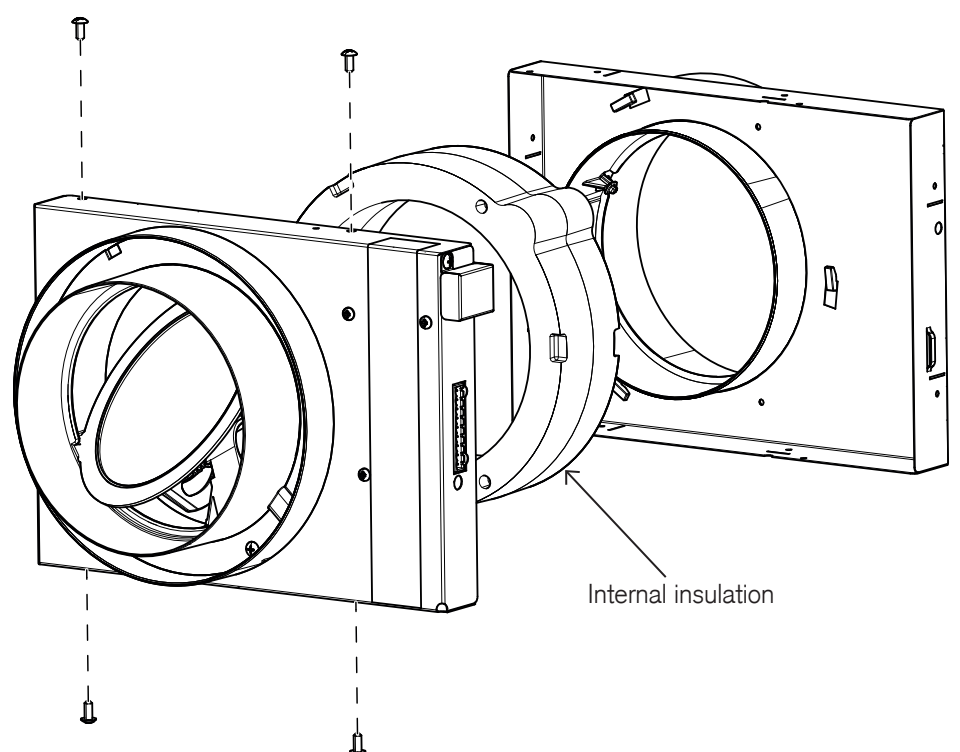
**As defined by the Department of Energy.



7.4 TROUBLESHOOTING

A LED indicator is located to the right of the terminal block on the unit and communicates the different states of the unit. Blinking patterns and ways to address them, if applicable, are as follows:

Sensor error	1 blink	Disconnect the terminal block, and connect again. If the error persists, replace the unit.
Damper error	2 blinks	Disconnect the terminal block. Open unit (see image below). Perform a visual inspection and remove any debris hindering damper movement. Close unit and put the terminal block back in place. If error persists, replace the unit.
Damper adjustment mode	Continuous blink	This is normal while the unit is in adjustment mode.
Learning mode	1 s ON, 10 s OFF	This is normal. Will blink for 48 hours after being powered ON.



8. AVAILABLE ACCESSORIES

1. Service Parts

You can order the S1103502 replacement hardware kit, which includes the same components as the one included with the unit.

2. Dry Contact Synchronization

Your FIN-6MD can also be synchronized with other HVAC units via a 24 VAC dry contact.

- Output mode: To activate other units operation. Requires a separate 24 VAC relay.
- Input mode: To activate your FIN-6MD operation.

Look for the FIN-DCS option kit that can be ordered separately.

NOTE: If the unit is turned off, this functionality will not work.

Considere que en este manual se usan los siguientes símbolos para enfatizar información específica:

⚠ ADVERTENCIA

Identifica una instrucción que, si no se sigue, podría provocar graves lesiones personales, incluida la posibilidad de la muerte.

PRECAUCIÓN

Denota una instrucción que, si no se sigue, puede dañar la unidad o sus componentes de manera grave.

💡 **Indica información complementaria que se puede relacionar con piezas opcionales o que tan solo pretenda facilitar una tarea.**

⚠ ADVERTENCIA

PARA REDUCIR EL RIESGO DE INCENDIO, CHOQUE ELÉCTRICO O HERIDAS CORPORALES, SIGA LAS INDICACIONES SIGUIENTES:

1. Utilice este aparato sólo en la forma prevista por el fabricante. Si tiene preguntas, póngase en contacto con el fabricante.
2. Antes de limpiar el aparato, apague la alimentación del AHU en el tablero de servicio. (Alimentado por AHU)
3. Este aparato no ha sido pensado para proporcionar aire de combustión o de dilución para aparatos que queman combustible.
4. Los trabajos de instalación han de ser realizados por personas cualificadas, de conformidad con todos los códigos y normas aplicables, incluyendo los relativos a la construcción contra incendios.

1. PREPARACIÓN

Antes de comenzar:

Escoja la mejor ubicación y el mejor tipo de instalación para la FIN-6MD de acuerdo con el sistema actual. Los conductos afectan en gran medida el desempeño de este tipo de dispositivos. Use el conducto más corto y más recto que sea posible para maximizar los resultados.

PRECAUCIÓN

No lo instale en un área en que la temperatura pueda superar los 160 °F.

El instalador garantizará, en caso de ser necesario, que se instale un calentador en línea dimensionado según el caudal de aire necesario y la temperatura de calentamiento exterior por diseño que contemplan el Manual J o la tabla ASHRAE, a fin de cerciorarse de que el aire suministrado a la AHU nunca sea inferior a la temperatura mínima que permite el fabricante. El calentador en línea tendrá un sensor de caudal de aire integrado y un sensor de exceso de temperatura, para evitar el calentamiento en condiciones de ausencia de flujo o de bajo flujo.

Al decidir si se requiere un precalentador y si se debería instalar ANTES o DESPUÉS de la FIN-6MD, considere lo siguiente:

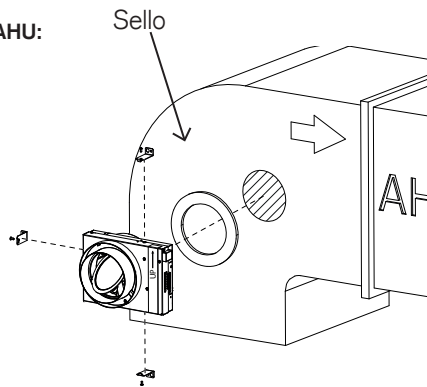
- La temperatura mínima de funcionamiento de la FIN-6MD es de -4 °F.
- La temperatura distribuida hacia la AHU jamás debe ser inferior a la temperatura recomendada por el fabricante de la AHU.
- La distancia mínima entre el precalentador y la FIN-6MD es de 12 pulgadas.

2. INSTALACIÓN

Siempre respete la orientación de la FIN-6MD y la dirección del caudal de aire, como se indica en la unidad.

El método más rápido y más sencillo es directo a la AHU:

1. Perfore un orificio de 6 pulgadas de diámetro en el conducto de retorno de la AHU.
2. Instale el sello en el puerto de la FIN-6MD que insertará el conducto de la AHU. Asegúrese de respetar la dirección del caudal de aire que se indica en la unidad.
3. Instale los 3 soportes de instalación en la unidad, como se aprecia en la ilustración.
4. Marque y perfore los orificios para los soportes del conducto de la AHU y use los tornillos adecuados para fijar la FIN-6MD al conducto de la AHU, verificando que esté nivelado de manera horizontal.

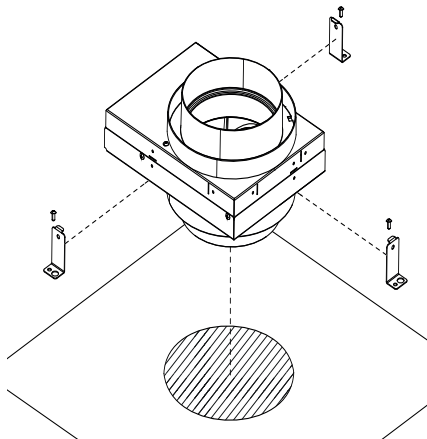


💡 Use tornillos autoperforantes (no incluidos) para evitar los pasos de marcado y perforación.

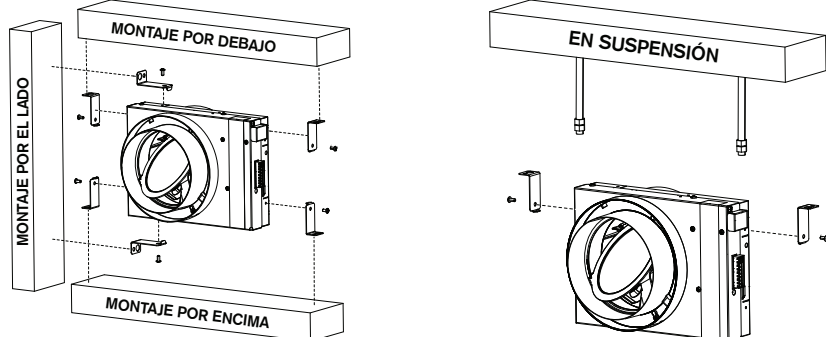
5. Siga los pasos de la sección 3 para conectar el conducto aislado con la FIN-6MD.
6. Realice la conexión eléctrica con la AHU de acuerdo con el diagrama de cableado de la sección 4.

Por una superficie horizontal:

1. Realice un orificio sobre la superficie que cruzará el conducto. Dimensione el orificio de modo tal que no se dañe la barrera de vapor del conducto aislado y que no se comprima el aislamiento.
2. Instale los 3 soportes de instalación en la unidad, como se aprecia en la ilustración.
3. Pase un tramo de conducto aislado por el orificio y conéctelo con la FIN-6MD siguiendo los pasos de la sección 3. Asegúrese de que se respete la dirección del caudal de aire que se indica en la unidad.
4. Empuje el conducto sobrante hacia el otro lado de la superficie y use tornillos adecuados para fijar la FIN-6MD a la superficie.
5. Extienda el conducto aislado hasta la AHU y conéctelo a los conductos de la AHU, verificando que el sellado de la barrera de vapor no tenga fugas.
6. Siga los pasos de la sección 3 para conectar el segundo conducto aislado a la FIN-6MD.
7. Realice las conexiones a la AHU de acuerdo con el diagrama de cableado de la sección 4.



Montaje por debajo, por encima o por el lado de una estructura:



1. Instale dos soportes de instalación en la unidad, como se aprecia en la ilustración, de acuerdo con la superficie en que se montará la unidad.
2. Use tornillos adecuados para fijar la FIN-6MD a la estructura, verificando que la nivelación horizontal. Asegúrese de que se respete la dirección del caudal de aire que se indica en la unidad.
3. Siga los pasos de la sección 3 para conectar ambos conductos aislados a la FIN-6MD.
4. Extienda el conducto aislado hasta la AHU y conéctelo a los conductos de la AHU, verificando que el sellado de la barrera de vapor no tenga fugas.
5. Realice las conexiones a la AHU de acuerdo con el diagrama de cableado de la sección 4.

5. Al cortar o taladrar en una pared o en el techo, procure no dañar el cableado eléctrico ni otras instalaciones ocultas.
6. Durante el mantenimiento, limpieza e instalación de este aparato se aconseja llevar lentes y guantes de seguridad.
7. Cuando la reglamentación local aplicable sea más restrictiva en materia de instalación o certificación, dicha reglamentación prevalecerá sobre las exigencias de este manual y el instalador acepta atenerse a dicha reglamentación y asumir los gastos correspondientes.
8. El aparato debe montarse al menos a 3,3 pies (1 metro) de distancia de cualquier abertura accesible del conducto.
9. Debe ser alimentado usando un transformador de clase 2 clasificado 10VA o superior.

PRECAUCIÓN

1. Para mayor información sobre otras exigencias, lea la etiqueta de especificaciones que viene en el aparato.
2. No introduzca el aire en espacios situados entre paredes, en el techo o en un desván, en sótanos pequeños ni en cocheras. No intente recuperar el aire de salida de una secadora o de una campana.
3. Diseñado para instalaciones residenciales únicamente, de conformidad con los requisitos de la norma NFPA 90B.
4. Al ausentarse de la vivienda durante un periodo largo (más de dos semanas), una persona responsable debería verificar regularmente si el aparato funciona correctamente.
5. Al menos una vez al año, personal de servicio cualificado debería examinar las piezas mecánicas y electrónicas del aparato.
6. Dado que el sistema de control electrónico del aparato utiliza un microprocesador, es posible que no funcione correctamente debido a los ruidos externos o a fallas de alimentación muy cortas. Si esto ocurre, apague la alimentación del AHU en el tablero de servicio y espere aproximadamente 10 segundos. A continuación, restablezca el suministro eléctrico al aparato.
7. La boca de admisión de aire exterior ha de ser a prueba de intemperie y llevar una tela metálica contra los pájaros.
8. Si decide deshacerse de este aparato o de partes de él, hágalo de conformidad con las leyes y reglamentos locales.

3. CONEXIÓN DE LOS CONDUCTOS AISLADOS A LA UNIDAD

PRECAUCIÓN

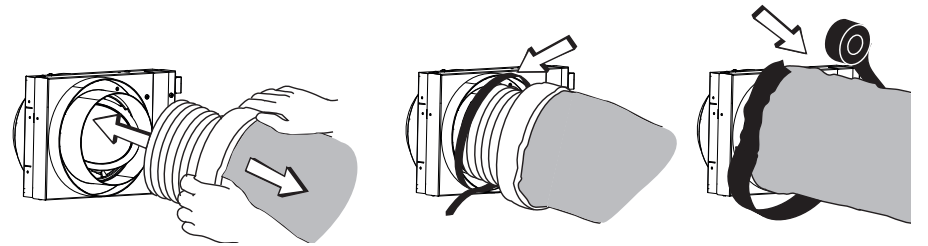
Siempre use conductos aislados con un factor de aislamiento mínimo de R-4.

1. Deslice el conducto flexible interior sobre el puerto y fíjelo con una cinta de amarre.
2. Jale el aislamiento sobre el conducto flexible y el puerto sin comprimirlo.
3. Use cinta para conductos para sellar la membrana exterior del conducto aislado en relación con el anillo exterior del puerto.

⚠ ADVERTENCIA

Asegúrese de que la campana extractora para exterior esté al menos a 18 pulgadas de distancia del piso y a 16 pies de distancia de cualquiera de los siguientes elementos: Escape de la secadora, ventilador de la caldera de alta eficiencia, ventilador de aspiración central, escape del medidor de gas, asador-parrilla de gas, cualquier escape de una fuente de combustión, bote de la basura y cualquier otra fuente de contaminación.

💡 Asegúrese de que la campana extractora para exterior sea de fácil acceso para el mantenimiento anual. Si se encuentra más arriba del primer piso, colóquela cerca de una ventana o de un balcón, para permitir un fácil acceso.



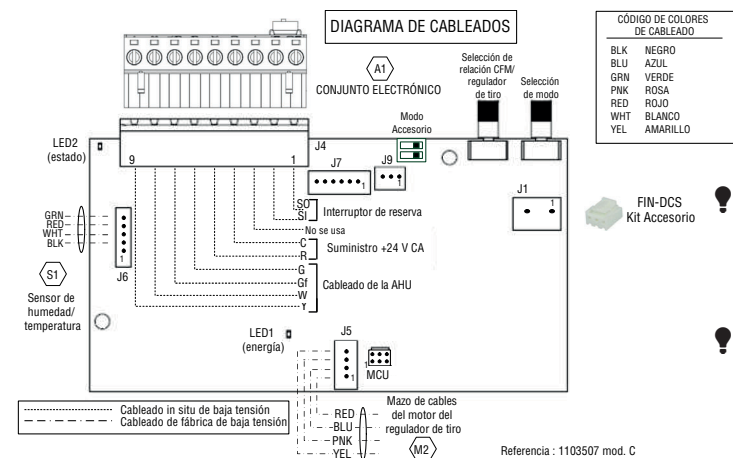
4. CABLEADO

⚠ ADVERTENCIA

Riesgo de descarga eléctrica. El cableado eléctrico debe ser ejecutado por personal calificado en conformidad con todos los códigos y todas las normas aplicables. Antes de conectar cables, corte la energía desde la AHU en el panel de servicio y bloquee los medios de desconexión del servicio para evitar que se encienda la energía accidentalmente.

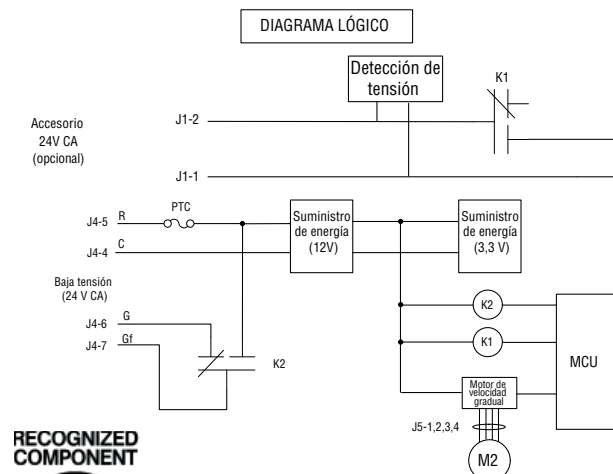
PRECAUCIÓN

Las conexiones defectuosas pueden dañar la AHU, el termostato o esta unidad. Siempre verifique dos veces las conexiones antes de volver a conectar la energía.



💡 Para facilitar la conexión, se puede retirar el bloque de terminales.

💡 Use la cinta de amarre incluida y el lazo que está sobre el bloque de terminales para fijar los cables y disminuir el riesgo de conexiones interrumpidas.

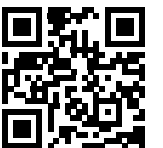


Intertek
5011110
CONFORM TO
UL STD. 1995

Cableado de la AHU en la página siguiente

Para leer la declaración de garantía completa y registrar su producto en línea, visite www.broan-nutone.com.

LEA Y GUARDE ESTAS INSTRUCCIONES

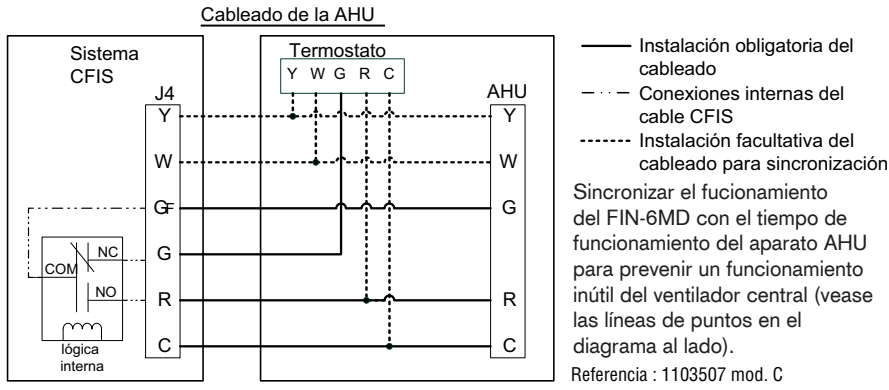


Explore para ver nuestro video de instalación.



1103500D

4.1 CABLEADO DE LA AHU



5. CONFIGURACIÓN DE LA UNIDAD

Cuando está ENCENDIDA, la FIN-6MD realiza una secuencia de arranque de 30 segundos, seguida por un periodo de 30 minutos en el que permanece APAGADA, pero se activará si se envía una orden de calentamiento o enfriamiento a la AHU.

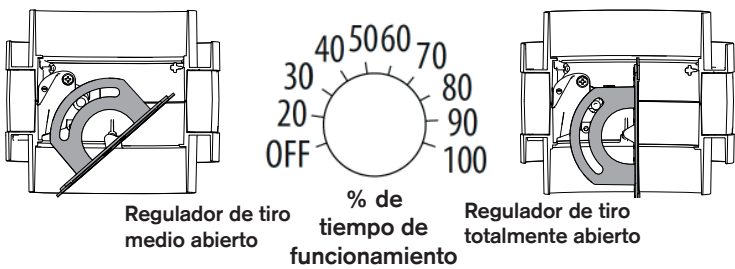
Consulte los códigos locales de edificación para determinar el caudal de aire necesario.

1. Verifique dos veces el cableado y vuelva a ENCENDER la energía de la AHU.
2. Ajuste el termostato para que envíe una orden de calentamiento o enfriamiento o conecte R con Y en el bloque de terminales. Esto forzará el ENCENDIDO de la ventilación durante al menos cinco minutos.
3. Mida el caudal de aire.

$$\% \text{ de tiempo de funcionamiento} = \frac{\text{Caudal de aire requerido}}{\text{Caudal de aire medido}} \quad \text{Ejemplo: Run time \%} = \frac{60 \text{ pi}^3/\text{min}}{120 \text{ pi}^3/\text{min}} = 50\%$$

4. Si necesita ajuste, ejecute el paso 4. Si el caudal de aire no necesita ajuste, continúe con el paso 5. El regulador de tiro viene ajustado de fábrica en posición totalmente abierto. Para ajustarlo, fije la celda izquierda en **AJUSTE DEL REGULADOR DE TIRO** para arrancar el soplador de la AHU y espere cinco segundos. El LED generará parpadeos continuos para indicar que la unidad está en modo de AJUSTE DEL REGULADOR DE TIRO.

Mientras mida el caudal de aire, ajuste el regulador de tiro con la celda de % DE TIEMPO DE FUNCIONAMIENTO, hasta alcanzar el valor deseado.



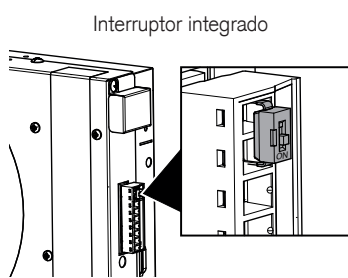
5. Seleccione el modo deseado de acuerdo con la tabla y el mapa de la sección 7.3. Esta acción también guarda el ajuste del regulador de tiro del paso anterior, si corresponde.
6. Fije la celda de % de tiempo de funcionamiento.
7. Instale la cubierta suministrada para proteger las celdas de ajuste y evitar un cambio accidental de ajustes. Recuerde que el orificio podría quedar oculto por la etiqueta.

6. PRUEBAS

Cuando está ENCENDIDA, la FIN-6MD realiza una secuencia de arranque de 30 segundos, seguida por un periodo de 30 minutos en el que permanece APAGADA, pero se activará si se envía una orden de calentamiento o enfriamiento a la AHU.

6.1 PRUEBA EN LA PUERTA DEL SOPLADOR (CIERRE FORZADO DEL REGULADOR DE TIRO)

Si es **fácil** el acceso al interruptor integrado O al interruptor remoto (si corresponde), fije el interruptor integrado O el interruptor remoto en APAGADO (OFF).



Si el acceso al interruptor **no es fácil**, por ejemplo, en un ático:

1. Desconecte (OFF) la energía de la AHU en el panel de servicio.
2. Vuelva a ENCENDER la energía de la AHU en el panel de servicio.
3. Espere 30 segundos para que se ejecute la secuencia de arranque.
4. Asegúrese de que el termostato no envíe una orden de calentamiento o enfriamiento.
5. La unidad quedará APAGADA con el regulador de tiro cerrado durante 30 minutos, pero se activará si se envía una orden de calentamiento o enfriamiento a la AHU.

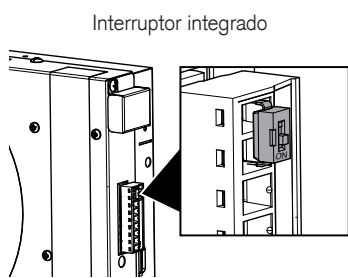
6.2 PRUEBA DE VENTILACIÓN (ENCENDIDO FORZADO DE LA UNIDAD):

1. Desconecte (OFF) la energía de la AHU en el panel de servicio y asegúrese de que el interruptor integrado o remoto esté ENCENDIDO.
2. Vuelva a ENCENDER la energía en el panel de servicio.
3. Espere 30 segundos para que se ejecute la secuencia de arranque.
4. Ajuste el termostato para que envíe una orden de calentamiento o enfriamiento o conecte R con Y en el bloque de terminales. Esto forzará el ENCENDIDO de la ventilación durante al menos cinco minutos.

7. INFORMACIÓN DEL USUARIO

7.1 INTERRUPTORES INTEGRADOS Y REMOTOS

Esta unidad cuenta con un interruptor integrado de ENCENDIDO/APAGADO (ON/OFF). Para mayor comodidad, también puede conectarse el FIN-6MD con un interruptor remoto. Para usar un interruptor remoto, desconecte el interruptor integrado y conecte el interruptor remoto del mismo modo en que conectó el interruptor integrado.



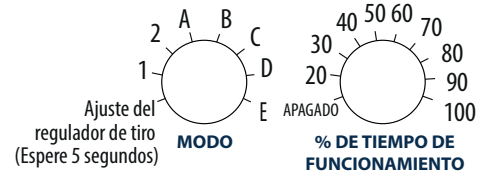
7.2 INSTRUCCIONES DE MANTENIMIENTO PARA EL USUARIO

- Inspeccione la entrada de aire exterior al menos una vez al año.
- Estas recomendaciones pueden variar según las condiciones ambientales de su área.

7.3 MODO POR COMODIDAD

Si el aire al interior de su hogar se vuelve demasiado húmedo o si está intentando evitar este tipo de condiciones, puede cambiar el modo de funcionamiento del FIN-6MD desde un modo conforme a código (modos 1 y 2) a un modo por comodidad (modos A al E). Consulte el siguiente mapa para escoger la opción correcta.

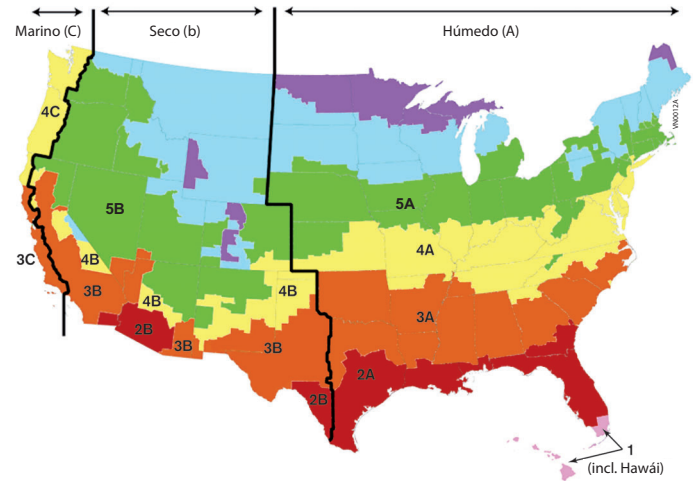
Al aplicar dicho cambio, asegúrese de cambiar únicamente el Modo y de dejar el % de tiempo de funcionamiento en la forma en que lo fijó el instalador. Si tiene dudas, consulte con su contratista de HVAC.



Modo seleccionado*	Zonas climáticas**
1 Ashrae 2010/IRC/IMC (ajuste de fábrica)	Zonas 1-5
2 Ashrae 2016/2019	Zonas 1-5
A Modo de comodidad caliente / húmedo núm. 1	Zonas 2A y 1
B Modo de comodidad caliente / húmedo núm. 2	Zonas 1 y 2A
C Modo de comodidad caliente / seco	Zona 2B
D Modo de comodidad mixto / húmedo	Zonas 3A, 4A, 5A, 3C y 4C
E Modo de comodidad mixto / húmedo	Zonas 3B, 4B y 5B

*Consulte la etiqueta de la unidad para ver la tabla completa con los límites.

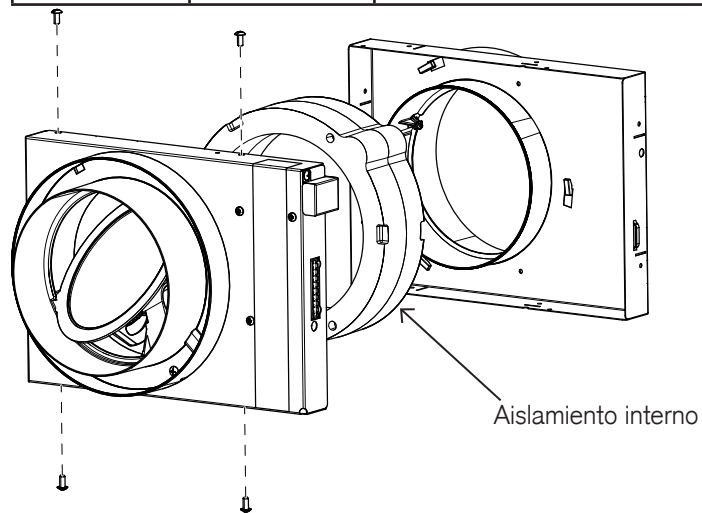
**Según la definición del Departamento de Energía.



7.4 SOLUCIÓN DE PROBLEMAS

A la derecha del bloque de terminales de la unidad hay un indicador LED que comunica los distintos estados de la unidad. Los patrones de parpadeo y las formas de abordarlos, si corresponde, son:

Error de sensor	1 parpadeo	Desconecte el bloque de terminales y vuelva a conectarlo. Si el error persiste, reemplace la unidad.
Error del regulador de tiro	2 parpadeos	Desconecte el bloque de terminales. Abra la unidad (consulte la siguiente imagen). Efectúe una inspección visual y retire los residuos que impidan el movimiento del regulador de tiro. Cierre la unidad y vuelva a colocar el bloque de terminales. Si el error persiste, reemplace la unidad.
Modo de ajuste del regulador de tiro	Parpadeo continuo	Es normal mientras la unidad esté en modo de ajuste.
Modo de aprendizaje	1 segundo ENCENDIDA, 10 segundos APAGADA	Esto es normal. Parpadeará durante 48 horas después de ser encendida.



8. ACCESORIOS DISPONIBLES

1. Piezas de recambio

Se puede ordenar el kit de herramientas S1103502, que incluye los mismos componentes que el kit incluido con la unidad.

2. Sincronización con contacto seco

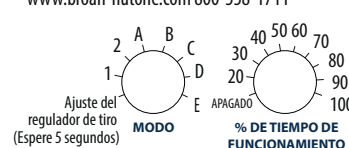
Su FIN-6MD puede sincronizarse con otras unidades HVAC usando un contacto seco 24 V CA.

- Modo salida: Para activar el funcionamiento de otras unidades. Necesita un relé por separado de 24 V CA.
- Modo entrada: Para activar el funcionamiento de su FIN-6MD.

Busque el kit opcional FIN-DCS que puede ordenarse por separado.

NOTA: Si el aparato está apagado, esta función no funcionará.

Broan-NuTone LLC Hartford, Wisconsin
 www.broan-nutone.com 800-558-1711



Consulte las Instrucciones de instalación para conocer más detalles.

1. Fije la celda izquierda en AJUSTE DEL REGULADOR DE TIRO.
2. Use la celda derecha para ajustar el regulador de tiro desde totalmente abierta a medio abierta.
3. Fije el modo requerido para guardar el ajuste del regulador de tiro.
4. Fije el % DE TIEMPO DE FUNCIONAMIENTO para alcanzar el nivel de ventilación requerido.

Modos por código:

1. ASHRAE 2010/IRC/IMC (ajuste de fábrica)
2. Ashrae 2016/2019

Modos por comodidad:

- A. Caliente / húmedo núm. 1
- B. Caliente / húmedo núm. 2
- C. Caliente / seco
- D. Mixto / húmedo
- E. Mixto / seco



BROAN

Error de sensor	1 parpadeo
Error del regulador de tiro	2 parpadeos
Ajuste del regulador de tiro	Parpadeo continuo
Modo de aprendizaje	1 s en ENCENDIDA y 10 s en APAGADA



Modo seleccionado	Sin orden del termostato		Orden de calentamiento		Orden de enfriamiento	
	Límites inferiores (F)	Límites superiores (F)	Límites inferiores (F)	Límites superiores (F)	Límites inferiores (F)	Límites superiores (F)
1	-4	Conforme, sin límites	-4	Conforme, sin límites		
2	-4	Conforme, sin límites	-4	Conforme, sin límites		
A	40	23	88	73	32	14
B	40	23	90	75	32	14
C	40	23	95	75	32	14
D	40	23	85	75	32	14
E	40	23	86	75	32	14