

# robern Vitality® Flip Wall Mirror - YM4836RGFPD3P - Specification Sheet

## Features

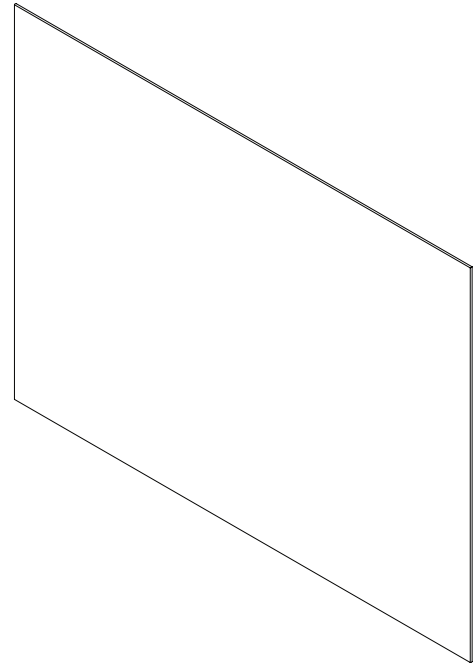
- Front and side diffuser, no visible LED's
- Plug-in mirror, saves on install time
- All hardware with security bracket included
- Energy efficient LED lighting: (measurements may vary)

Kelvin	2700
CRI	90+
Lumens* ( <i>Estimated</i> )	2170
R9 Value*	50+
Watt Output - LED with optional defogger on	150w max

\* Mirror measured not the raw LED.  
Based on 48" x 36" Mirror



ROTATABLE



## Construction

- Anodized aluminum back frame
- Quality polished edge mirror
- Power cords installed for easy plugin installation
- Constructed for surface mounting
- Includes installation hardware

## Codes/Standards Applicable

Vitality Mirror is UL certified to:

- UL 962
- CSA-C22.2, No. 250.4

## Dimensions

Height: 36" (914 mm)  
Width: 48" (1219 mm)  
Depth: 1-3/4" (45 mm)

## Electrical System

- 120 Vac 60Hz wall outlet as shown in drawing

## Options

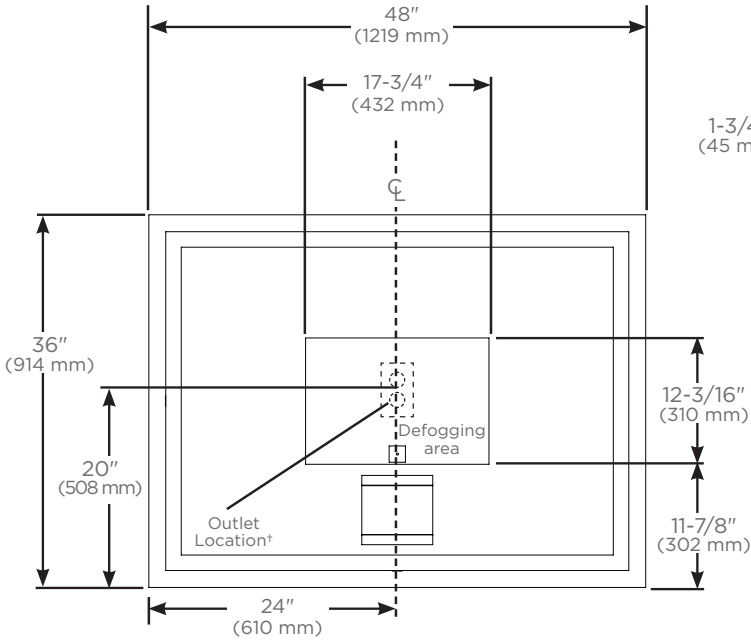
- Mirror defogging
- Dimmable LED task lighting to 1%
- Compatible with most Triac/Phase-cut dimmers

## Model Number Key

Vitality	Mirror	Width	Height	Shape	Light Pattern	Edge Type	Defogger	Color Temp	Options
Y	M	48	36	R = Rectangle	G = Glow	FP = Flat, Polished	D = Defogger Included	3 = 2700K	P = Flip



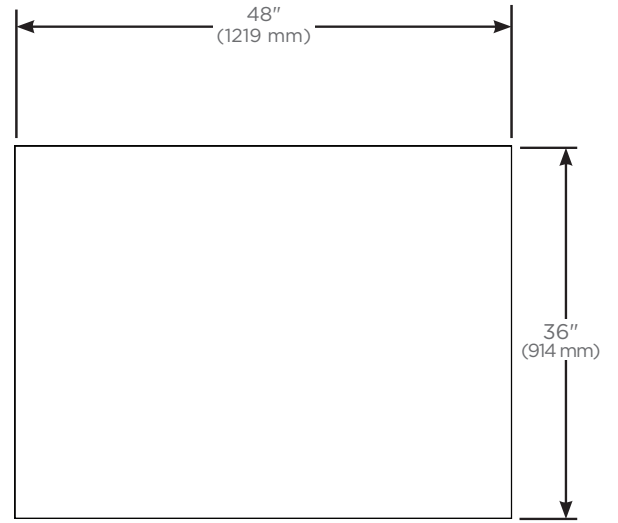
ROTATABLE



Back view for outlet and defogger location

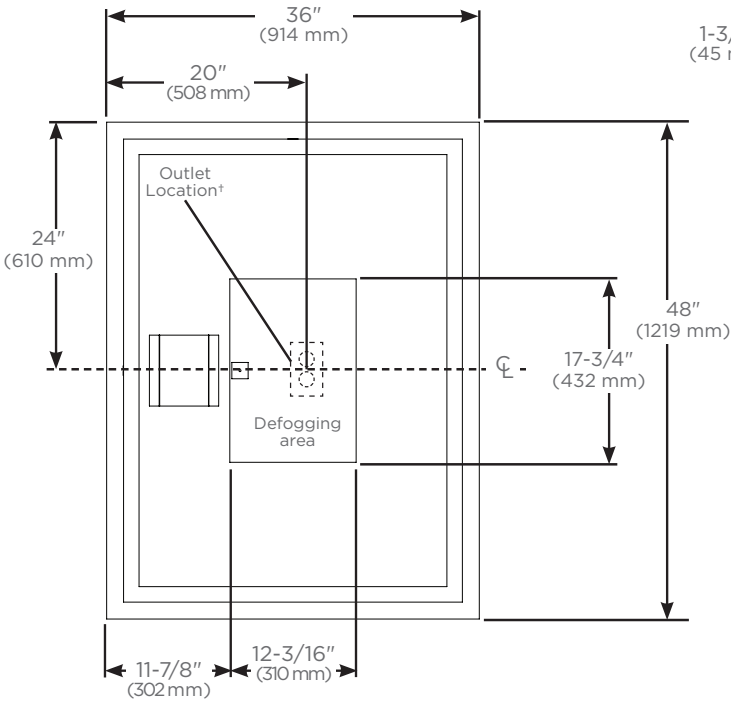


Side view

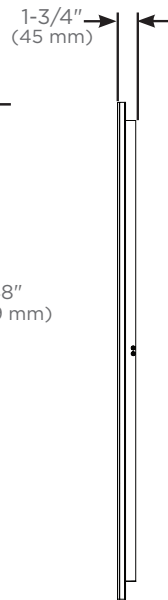


Front view

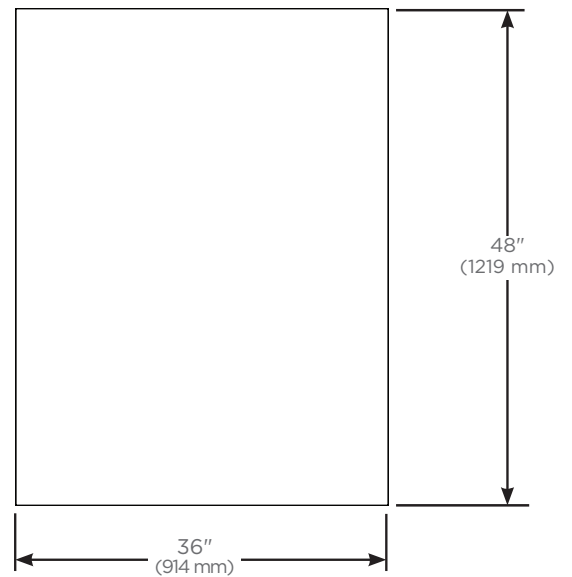
† See instructions for wiring and location



Back view for outlet and defogger location



Side view



Front view

† See instructions for wiring and location