



**McAllister®**

32" undermount double-bowl kitchen sink  
**32021**

### Features

- 36" (914 mm) minimum base cabinet width for undermount installation
- Double-equal bowls
- 5-1/2" (140 mm) depth
- No faucet holes; requires wall- or counter-mount faucet
- Rear drains increase workspace in the sink and storage space underneath
- Includes installation hardware
- Sink drain with strainer sold separately

### Material

- Premium 18-gauge stainless steel

### Installation

- Undermount

### Recommended Products/Accessories

- K-23726 Drain treatment
- K-23729 Stainless steel cleaner
- 7400 Stainless Steel Sink Drain and Strainer



**ADA**

### Codes/Standards

ASME A112.19.3/CSA B45.4  
ADA  
ICC/ANSI A117.1  
IAPMO Certification

### **STERLING® Stainless Steel Sinks Lifetime Limited Warranty**

See website for detailed warranty information.

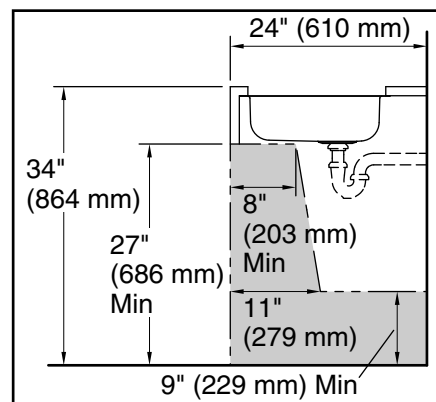
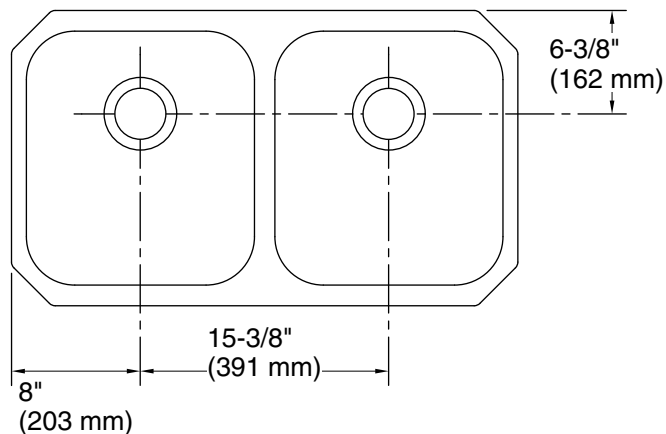
---

1-800-STERLING (1-800-783-7546)

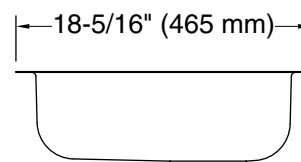
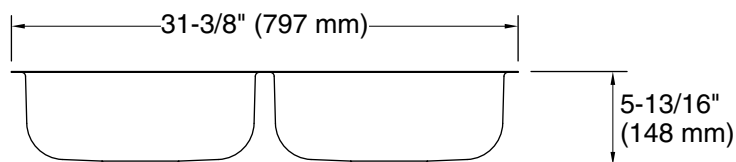
Kohler Co. reserves the right to make revisions without notice to product specifications.

For the most current Specification Sheet, go to [www.sterlingplumbing.com](http://www.sterlingplumbing.com).

2-11-2024 19:47 - US



**Recommended ADA Installation**



**Technical Information**

All product dimensions are nominal.

Bowl configuration: Double equal

Min. base cabinet width: 36" (914 mm)

Bowl area (Left): Length: 15-3/4" (400 mm)  
Width: 14-1/8" (359 mm)  
Bowl depth: 5-1/2" (140 mm)  
Water depth: 5-1/2" (140 mm)

Bowl area (Right): Length: 15-3/4" (400 mm)  
Width: 14-1/8" (359 mm)  
Bowl depth: 5-1/2" (140 mm)  
Water depth: 5-1/2" (140 mm)

Drain hole: 3-5/8" (92 mm)

Template: Undermount, 1315846-7, required, included

**Notes**

Install this product according to the installation instructions.

ADA compliant when installed to the specific requirements of these regulations.