



Performa™ 2

60" x 29" above-floor-drain Vikrell® bath/shower with Aging in Place backerboards, left drain
71340118



Features

- Tongue-and-groove modular design allows for easy installation during any phase of construction
- Molded-in shelves
- Easy-to-clean, durable high-gloss finish
- Factory-installed Aging in Place backerboards for future grab bar installation

Material

- Compression molded from our exclusive solid Vikrell® material

Installation

- Alcove
- Left drain
- Above-floor drain (AFD) rough-in
- Caulk-free installation

Included Components

Product consists of:
71341112
71344106

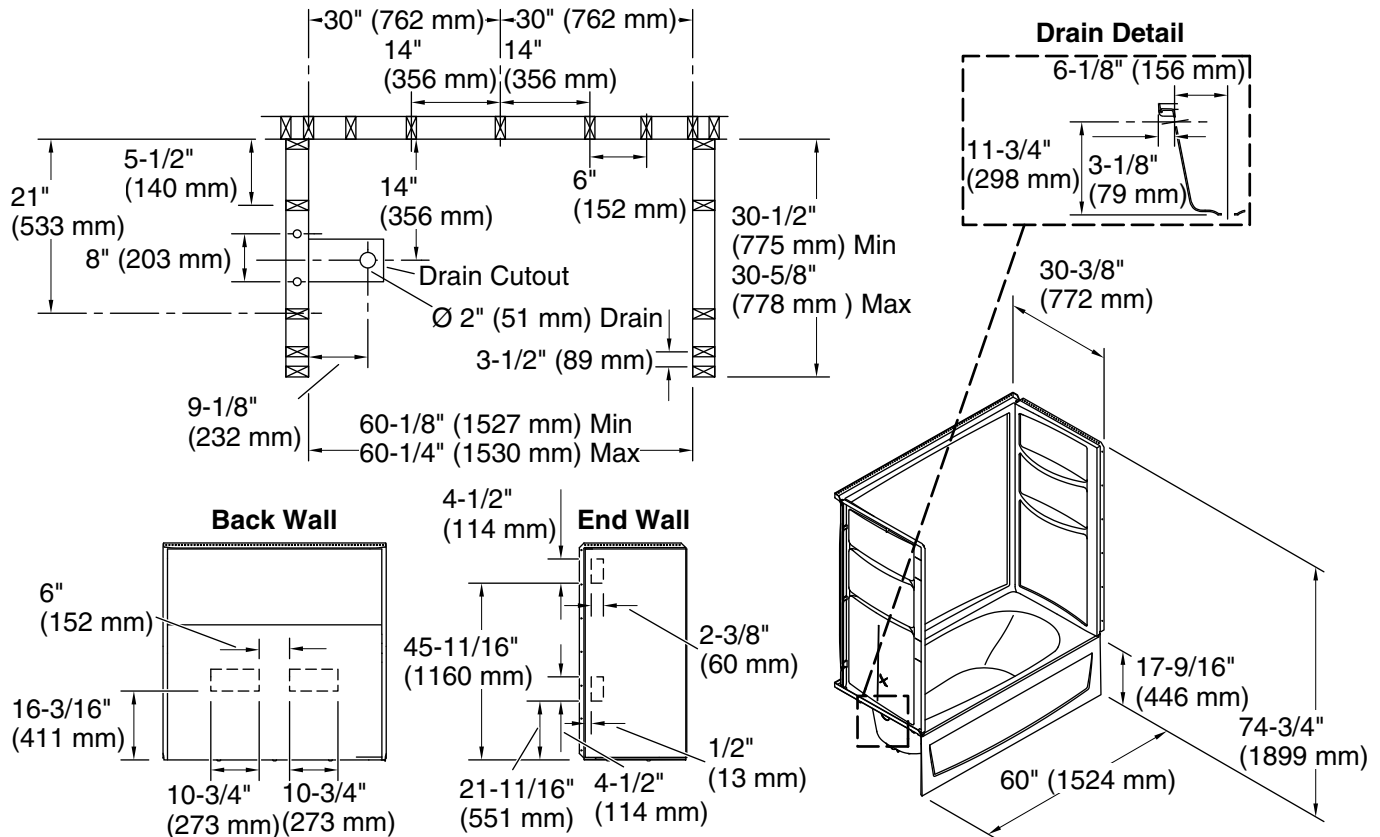


Codes/Standards

CSA B45.5/IAPMO Z124
ASTM E162
ASTM E662

STERLING® Vikrell® or Acrylic Baths and Shower Bases Ten-Year Limited Warranty

See website for detailed warranty information.



Technical Information

All product dimensions are nominal.

Installation:	Three-wall alcove
Drain location:	Left
Weight:	110.5 lbs (50.1 kg)
Water depth:	10-1/4" (260 mm)
Water capacity:	35 gal (132.5 L)
Maximum door height:	55-3/4" (1416 mm)
Maximum door width:	57-3/4" (1467 mm)

Notes

Install this product according to the installation instructions.

Studs should be positioned roughly as shown.