



Traverse®

48" x 34" x 75" shower
72520100



Features

- Tongue-and-groove modular design allows for easy installation during any phase of construction.
- Modern subway tile design.
- Full-length shelf provides generous storage.
- Easy-to-clean, durable high-gloss finish.

Material

- Compression molded from our exclusive solid Vikrell® material.

Installation

- Pro4™ installation system features a two-piece back wall design, enabling one-person handling and installation.
- Alcove.
- Center drain.
- Caulk-free installation.

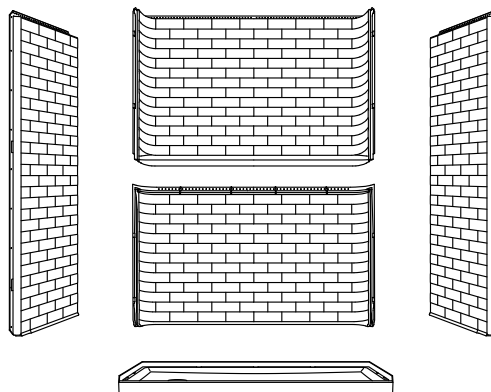
Recommended Products/Accessories

- K-23733 Vikrell® cleaner
- 1506D-48 Framed pivot shower door
- 581075-48 Frameless sliding shower door
- 547808-48 Frameless sliding shower door
- 5475-48 Frameless sliding shower door
- 5970-46 Framed sliding shower door
- 5970-48 Framed sliding shower door
- 5976-48 Framed sliding shower door
- 5977-48 Framed sliding shower door
- 5960-46 Framed sliding shower door
- 5965-46 Framed sliding shower door
- 5960-48 Framed sliding shower door
- 1500D-48 Framed pivot shower door
- 1505D-48 Framed pivot shower door
- SP1506D-48 Framed pivot shower door
- 1530D-48 Framed pivot shower door
- 1535D-48 Framed pivot shower door

Included Components

Additional Components:

- 72321100
- 72505100
- 72522100



Codes/Standards

- CSA B45.5/IAPMO Z124
- ASTM E162
- ASTM E662
- HUD, UM Bulletin 73

STERLING® Vikrell® or Acrylic Baths and Shower Bases Ten-Year Limited Warranty

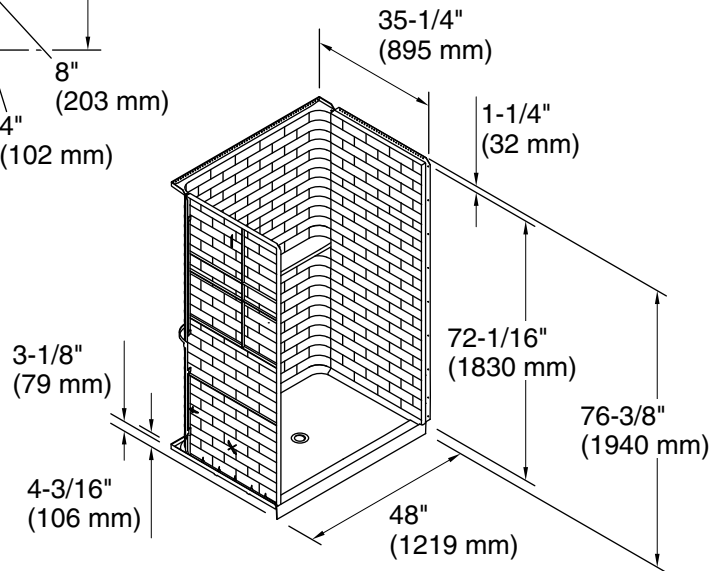
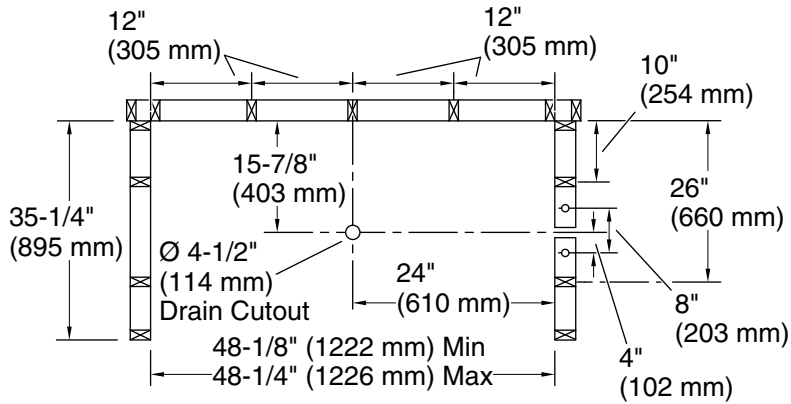
See website for detailed warranty information.

1-800-STERLING (1-800-783-7546)

Kohler Co. reserves the right to make revisions without notice to product specifications.

For the most current Specification Sheet, go to www.sterlingplumbing.com.

3-30-2022 10:34 - US/CA



Technical Information

All product dimensions are nominal.

Installation:	Three-wall alcove
Drain location:	Center
Weight:	95 lbs (43.1 kg)
Maximum door height:	72" (1829 mm)
Maximum door width:	44-9/16" (1132 mm)

Notes

Install this product according to the installation instructions.