



Springdale®

Under-Mount Kitchen Sink

T11448

Features

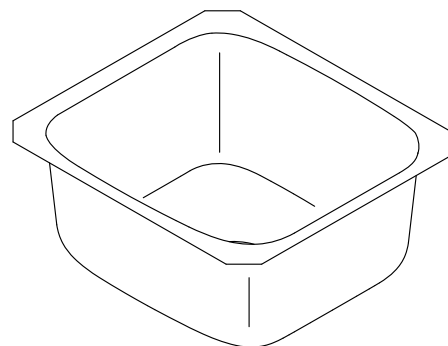
- Under-mount
- No faucet holes to accommodate either wall-mount or countertop faucets
- 8"-deep single bowl
- 3-3/4" rear drain opening
- Stainless steel with a luster finish
- SilentShield technology
- 18-gauge stainless steel
- Lifetime limited warranty

Recommended Products/Accessories

7400 Sink Strainer
11862 Sink Rack

Included Components

Product consists of:
91915 Hardware Kit

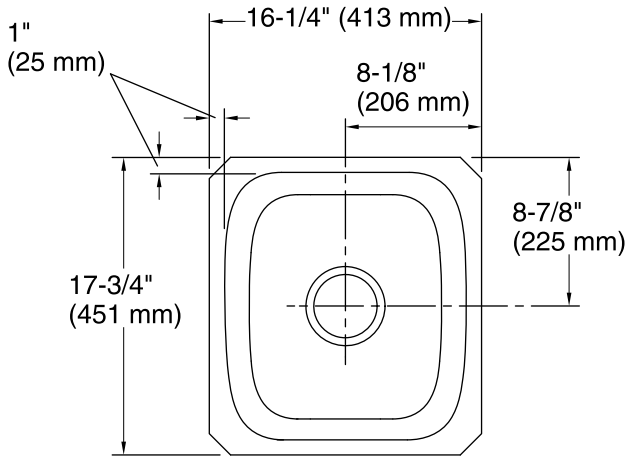


Codes/Standards

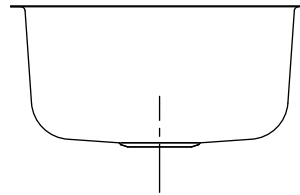
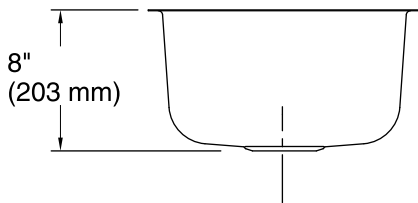
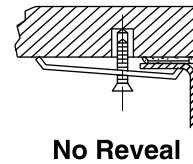
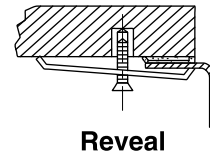
ASME A112.19.3/CSA B45.4

STERLING® Warranty - Stainless Steel Sinks

See website for detailed warranty information.



Mounting bracket assembly provides a secure installation.



Technical Information

All product dimensions are nominal.

- Bowl configuration: Single
- Installation: Under-mount
- Min. base cabinet width: 21" (533 mm)
- Bowl area (Only): Length: 16-1/4" (413 mm)
Width: 17-3/4" (451 mm)
Bowl depth: 8" (203 mm)
Water depth: 8" (203 mm)
- Drain hole: 3-3/4" (95 mm)
- Template: 1315843-7, required, included

Notes

- Install this product according to the installation instructions.
- Use the supplied cut-out template to select either a hidden or exposed rim.
- Measure your actual product for roughing-in details.