



Medley™

Shower faucet trim set TS27372-4G

Features

- Single handle controls both on/off activation and temperature settings.
- Provides anti-scald protection and temperature regulation.
- Single-function 1.75 gpm (6.6 lpm) shower head with Katalyst® air-induction technology.
- MasterClean™ sprayface features an easy-to-clean surface that withstands mineral buildup.
- Includes faceplate with ADA-compliant metal level handle.
- Coordinates with other products in the Medley collection.
- Pressure-balancing diaphragm technology maintains outlet temperature within +/-3°F during water pressure fluctuations.

Material

- Premium metal construction for durability and reliability.
- KOHLER finishes resist corrosion and tarnishing.

Installation

- Wall-mount.
- Trim only; requires valve to complete installation (sold separately).

Required Products/Accessories

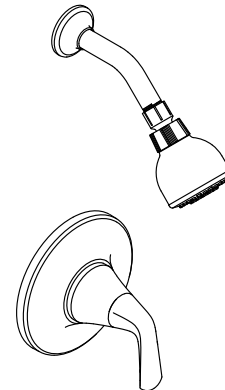
- K-8304-K Valve Body & Cartridge Kit Complete
- or
- K-8304-KS Valve Body & Cartridge Kit Complete
- or
- K-8304-KSL Valve Body & Cartridge Kit Complete
- or
- K-8304-PS Valve Body & Cartridge Kit Complete
- or
- K-8304-PX Valve Body & Cartridge Kit Complete
- or
- K-8304-US Valve Body & Cartridge Kit Complete
- or
- K-8304-UX Valve Body & Cartridge Kit Complete

Recommended Products/Accessories

K-23723 Faucet cleaner

Optional Products/Accessories

K-10350 Deep Rough-In Kit For K-8305 Cartridges
K-10351 Test cap for K-8300 Series valve bodies



Codes/Standards



ASME A112.18.1/CSA B125.1
DOE - Energy Policy Act 1992
EPA WaterSense®
California Energy Commission (CEC)

STERLING® Faucet Lifetime Limited Warranty

See website for detailed warranty information.

Available Colors/Finishes

Color tiles intended for reference only.

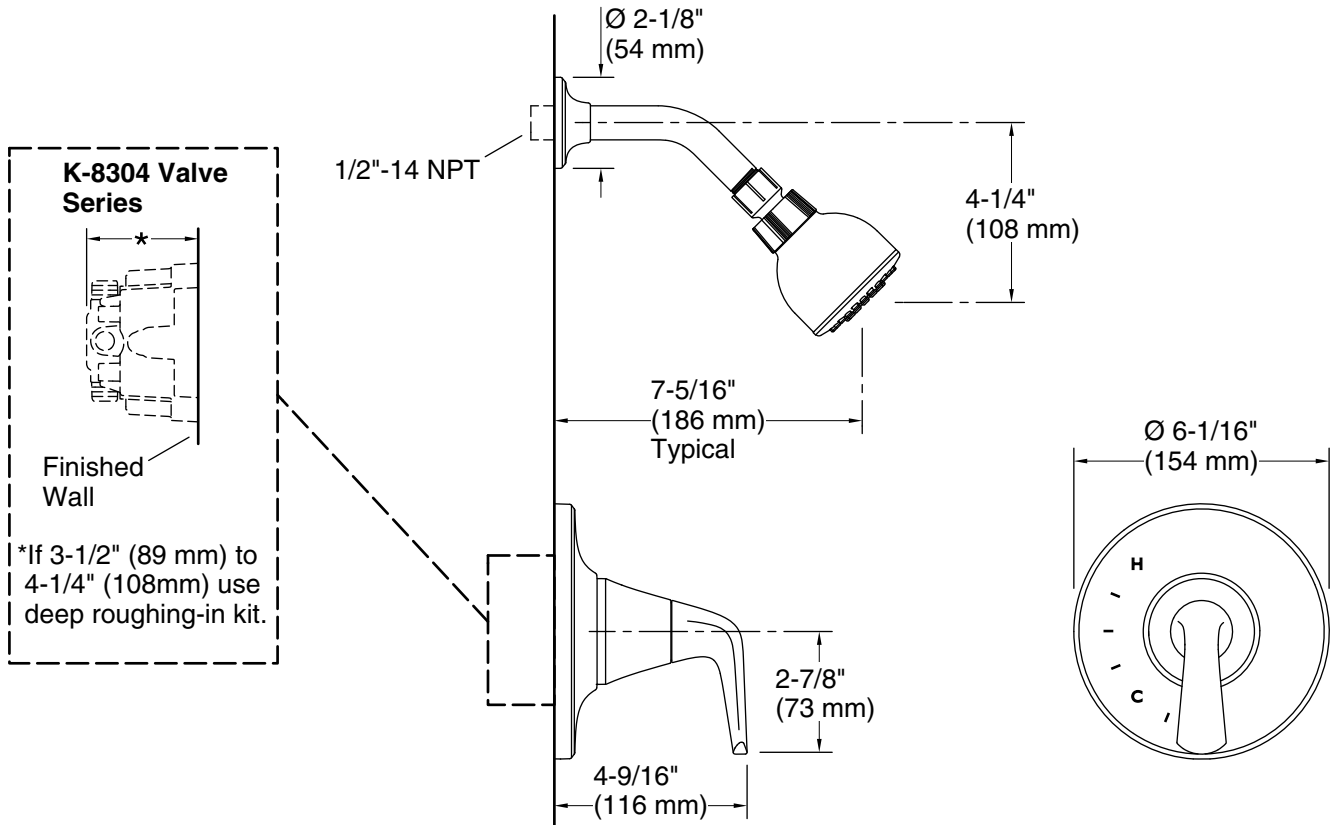
Color	Code	Description
	CP	Polished Chrome
	BN	Vibrant® Brushed Nickel

1-800-STERLING (1-800-783-7546)

Kohler Co. reserves the right to make revisions without notice to product specifications.

For the most current Specification Sheet, go to www.sterlingplumbing.com.

4-15-2021 14:38 - US/CA



Technical Information

All product dimensions are nominal.

Drain included: No

Showerhead/Body Spray:

Rated maximum flow: 1.75 gal/min (6.6 l/min)

Pressure: 45 psi (3.1 bar)

Notes

Install this product according to the installation instructions.