

Features

- Titan series.
- 31½" (800) x 18½" (470) x 10" (254) undermount kitchen sink.
- Super single compartment that is the size of a double bowl sink.
- Handcrafted from premium 304 stainless steel. Channel grooves in sink bottom direct water to drain. Premium brushed finish.
- Sink is available in 14 gauge and 16 gauge.
- Includes a stainless steel bottom sink grid and stainless covered flip-top sink strainer.
- 3/8" (10mm) radius corners.
- 5mm sound deadening pads.
- Fits 36" (914) base cabinet width.

Components

- Product includes:
 TSGD3219T1 Bottom Sink Grid
 2210R Covered Sink Strainer
 Cutout Template
 Installation Hardware
 Installation Instructions

Warranty

- Lifetime Limited Warranty

Specified Model

Model	DUSST321910
Overall Dimensions	L31½" x W18½" x D10" 800 x 470 x 254
Bowl Dimensions	L30" x W17" x D10" 763 x 433 x 254
Drain holes:	3⅝" (92mm)
Shipping Weight	40-42 lbs.
Material	14 gauge 304 stainless steel 16 gauge 304 stainless steel
Installation	under counter mounted
Required	template, included

To Be Specified

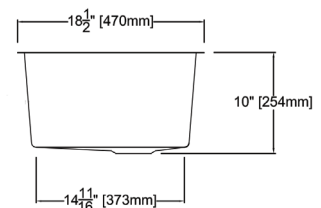
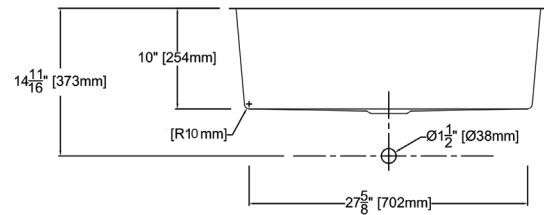
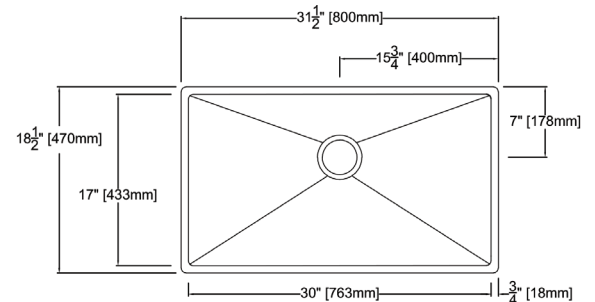
	Model No.	Stainless Steel Gauge
<input type="checkbox"/>	DUSST321910-14	14 gauge
<input type="checkbox"/>	DUSST321910-16	16 gauge

Codes/Standards

ASME A112.19.3/CSA B45.4

Notes

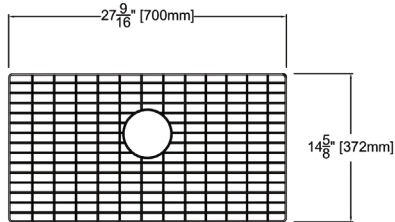
Install this product according to the installation instructions.



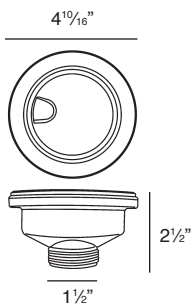
Components

Product includes:

TSGD3219T1 Bottom Sink Grid



2210R Covered Flip Top Sink Strainer.



Water drains easily when cover is in place. Cover flips up with easy touch. Polypropylene housing. Fits standard 3½" opening.

Optional 2310 Remote Covered Flip Top Sink Strainer is available.

Optional 4010 Covered Flip Top Disposer Strainer is available.

See Accessories to order.