

**Features**

- 31½" (800) x 18⅝" (465) x 9" (229) undermount kitchen sink.
- Super single compartment that is the size of a double bowl sink.
- 16 gauge 304 stainless steel.
- Center drain location.
- Brushed finish with highlight rim.
- 10mm radius corners.
- 3mm sound deadening pads.
- Fits 36" base cabinet width.

**Components**

Product includes:  
Cutout Template  
Installation Hardware  
Installation Instructions

**Options**

2210R Covered Sink Strainer or  
4010 Covered Disposer Strainer  
TMTK1 Magnetic Tool Set

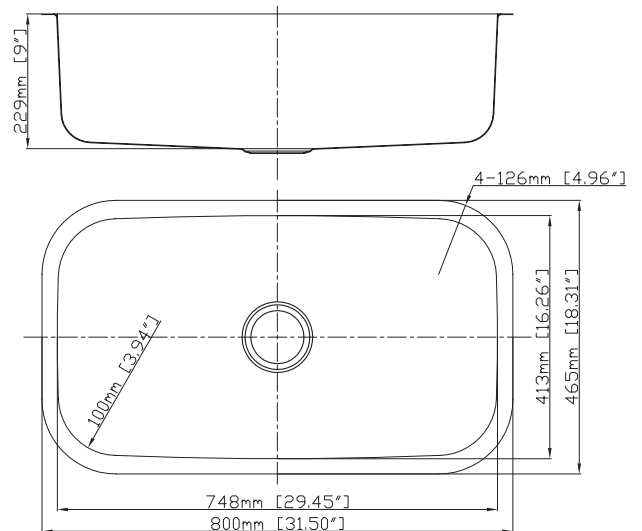
**Warranty**

- Lifetime Limited Warranty



**Specified Model**

Model	MUSS32189
Overall Dimensions	L31½" x W18⅝" x D9" 800 x 465 x 229
Bowl Dimensions	L29 <sup>29</sup> / <sub>64</sub> " x W16 <sup>17</sup> / <sub>64</sub> " x D9" 748 x 413 x 229
Drain hole:	3⅝" (92mm)
Shipping Weight	34 lbs.
Material	16 gauge 304 stainless steel
Installation	under counter mounted
Required	template, included



**Codes/Standards**

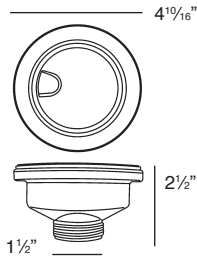
ASME A112.19.3/CSA B45.4

**Notes**

Install this product according to the installation instructions.

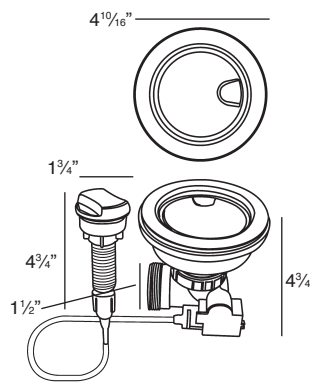
**Optional Accessories**

**2210R Covered Flip Top Sink Strainer.**



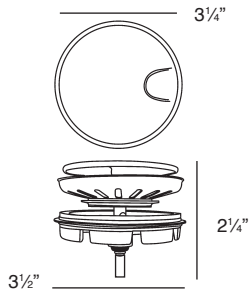
Water drains easily when cover is in place. Cover flips up with easy touch. Polypropylene housing. Fits standard 3½" opening.

**2310 Remote Covered Flip Top Sink Strainer.**



Turn the remote knob to open and close drain. Water drains easily when cover is in place. Cover flips up with easy touch. Polypropylene housing. Fits standard 3½" opening. 1⅜" hole required in countertop for remote installation. Remote cable 25½" L.

**4010 Covered Flip Top Disposer Strainer.**



Water drains easily when cover is in place. Cover flips up with easy touch. Polypropylene housing. Top mount installation for 3½" opening.