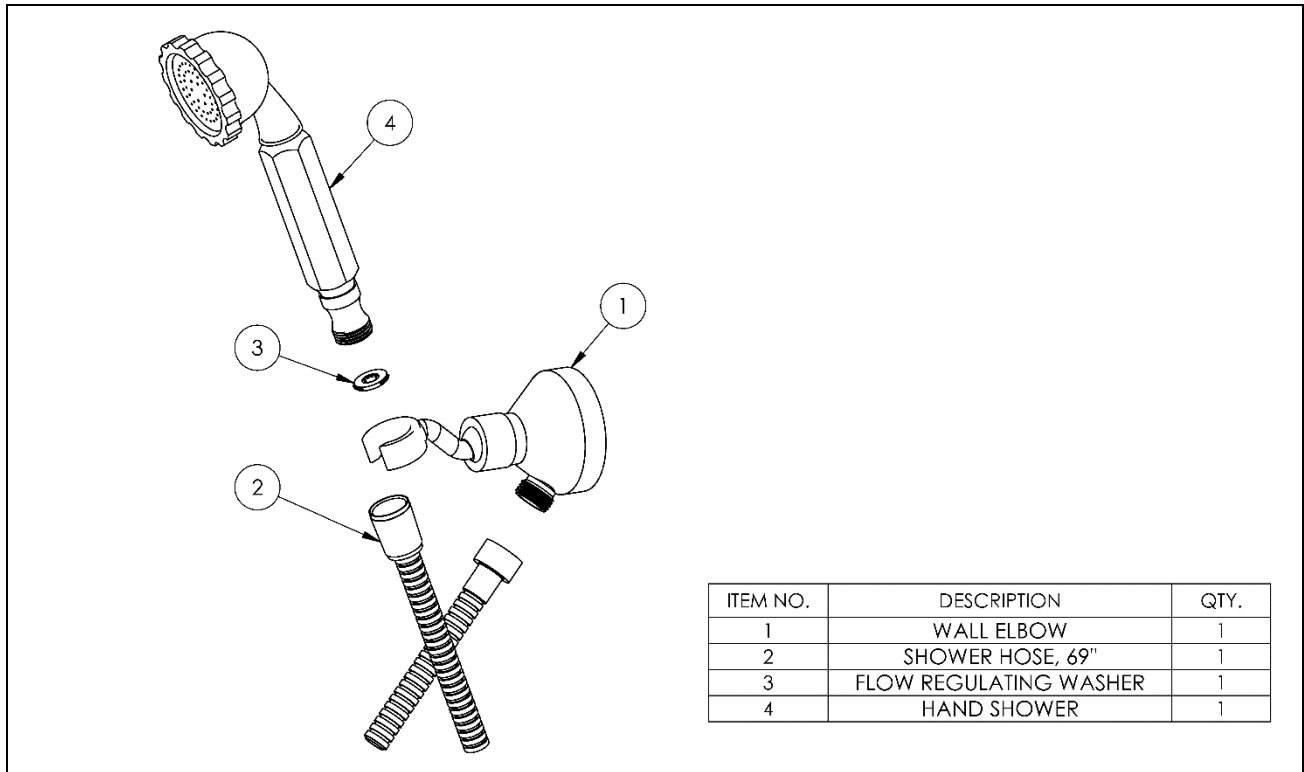
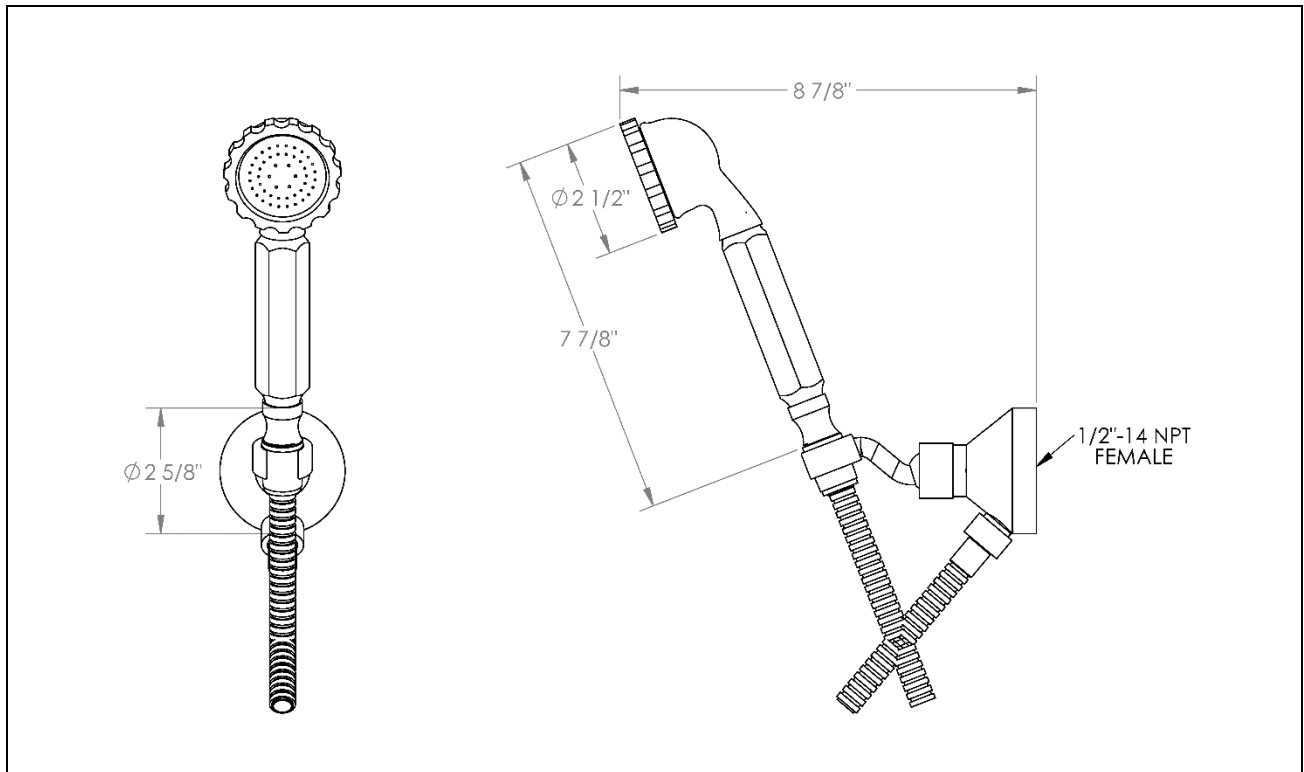


## Exploded View



## Dimensions



## Installation Instructions

1. A well-supported 1/2" NPT elbow with nipple is required in the wall prior to installation.
2. Hole in the wall should be at least  $\varnothing 1"$  to fit pipe nipple. Nipple should end about 1/2" in front of the finished wall.
3. Thread the **wall elbow** (1) onto the nipple so that the outlet faces down when the back of the elbow contacts the wall. Use a strap wrench or soft jaw pliers if necessary. A bead of silicone sealant should be applied in between the wall and elbow.
4. Flush the wall elbow and check for leaks.
5. Thread the nut end of the **shower hose** (2) onto the wall elbow.
6. Thread the **hand shower** (4) onto the cone end of the shower hose. Hand tighten to avoid damaging the **flow regulating washer** (3).

### **IMPORTANT INSTALLATION INFORMATION**

- Use Teflon tape or pipe sealant for threaded connections.
- Do NOT use Plumber's Putty on any of the brass components.  
This will cause the finish to tarnish and void the warranty. A non-corrosive alkoxy silicone is recommended.
- Copper adapters may be required to complete your installation.
- Refer to maintenance guide for finish care instructions.

**For technical support, please call 718-257-2800**