

# Installation Instructions

## for Deck Mounted Monoblock Faucets



The 23-7.3-L8 and 23-7.4-L8 will be used as an example in this manual.  
Applicable for all 7.3, 7.3G, 7.4, 7.4G, 9.3, and 9.3G models.

## IMPORTANT INFORMATION

Thank you for choosing Watermark! We appreciate your commitment to Watermark quality products. Before you install the product, please fully review these installation instructions.

Before installation, unpack the product and inspect it for any damage. Make sure all the parts are present. If not installing immediately, place the product back into its protective packaging.

The appearance of the product may be different than what is shown in this installation manual, but the installation procedure will be the same.

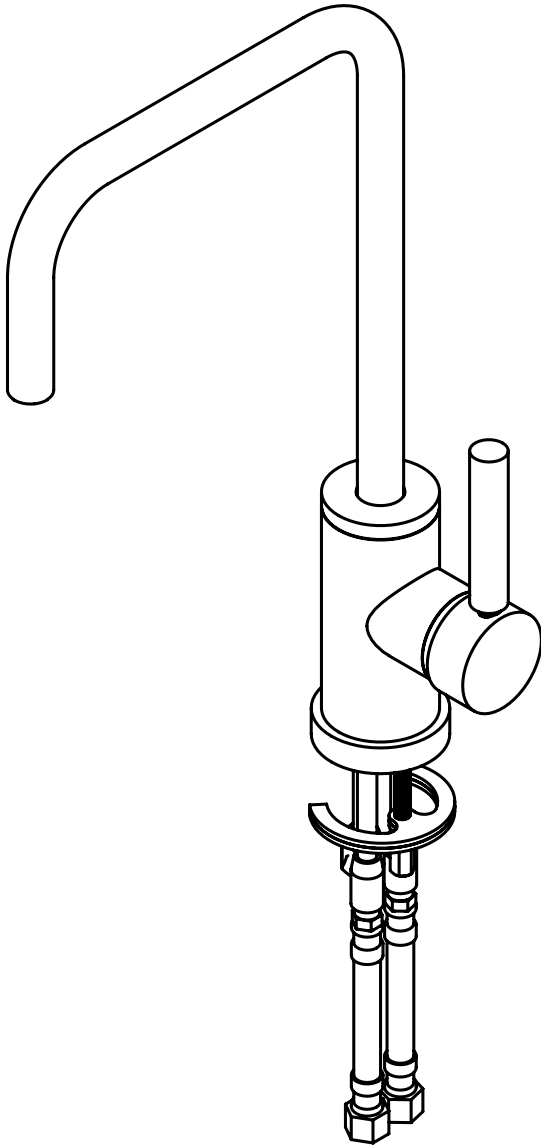
Installation considerations:

- Professional installation by a licensed plumber is strongly recommended.
- Product should be installed according to local codes and regulations.
- When installing:
  - Use Teflon tape or pipe sealant for threaded connections.
  - DO NOT use plumber's putty on any brass components. This may cause the finish to tarnish and void the warranty. Alkoxy silicone is recommended instead.
  - Flush the lines before and after installation (if applicable).
  - If the lines are sweated, do not overheat casting, which may damage mechanisms.
- Copper adaptors may be required to complete installation.

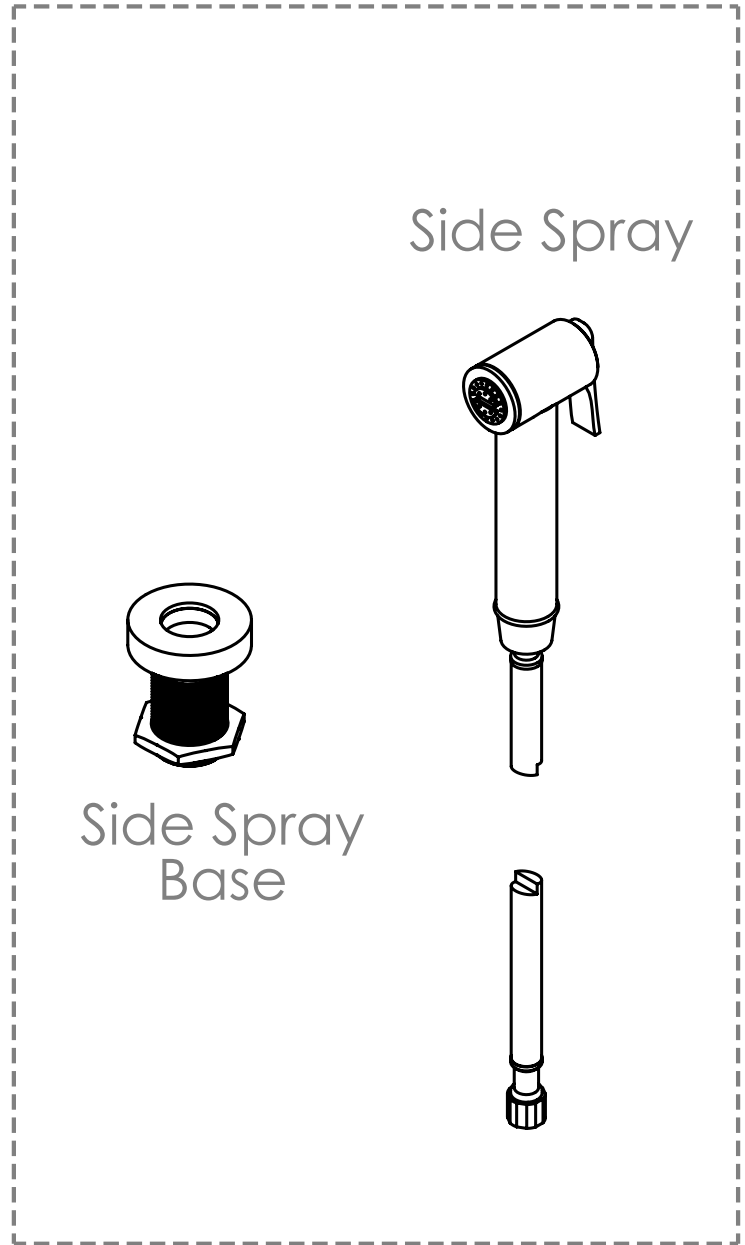
If you encounter any issues, please contact our technical support team at the number listed at the bottom of this page or email us at: [technical@watermark-designs.com](mailto:technical@watermark-designs.com)

## PARTS BREAKDOWN

Monoblock  
Assembly



7.4 Models Only



Side Spray

Side Spray  
Base

You will need:  
- 1 x Wrench

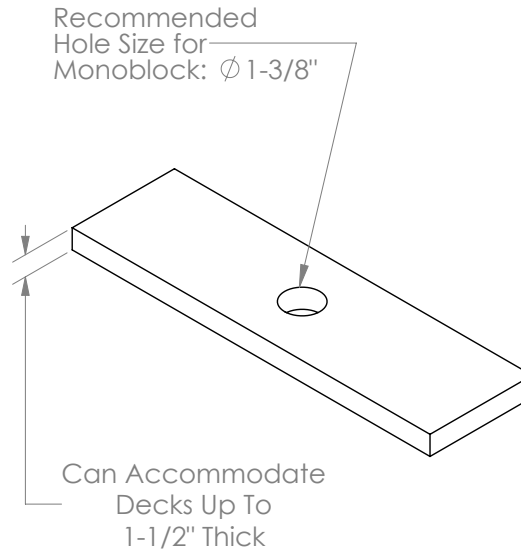
## 1. Prepare the mounting surface

For a 7.3 or 9.3 model:

Make 1 hole in the mounting surface following the requirements shown on the drawing.

For a 7.4 model:

Make 2 holes in the mounting surface following the requirements shown on the drawing.



7.4 Models Only



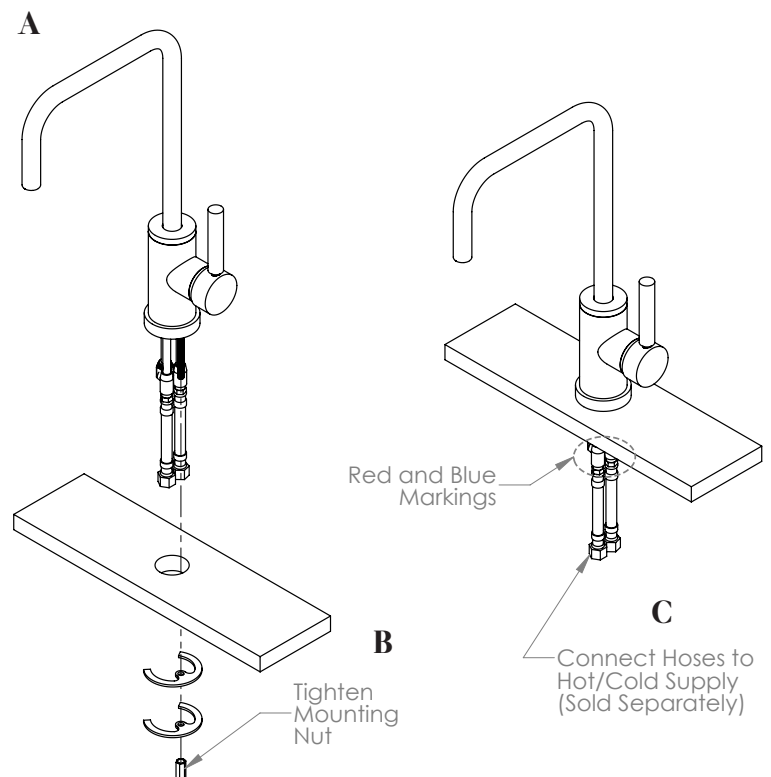
## 2. Install the monoblock

**[A]** Insert the monoblock assembly through the hole in the mounting deck. Thread the mounting nut onto the threaded rod at the bottom.

**[B]** Tighten the mounting nut, compression washer, and rubber gasket against the bottom of the mounting surface.

**[C]** Connect the two supply hoses to a hot and cold supply (sold separately). There are red and blue markings on the monoblock supply risers to denote where the hot and cold supply connect to respectively.

**NOTE:** Hose length shown is not to scale



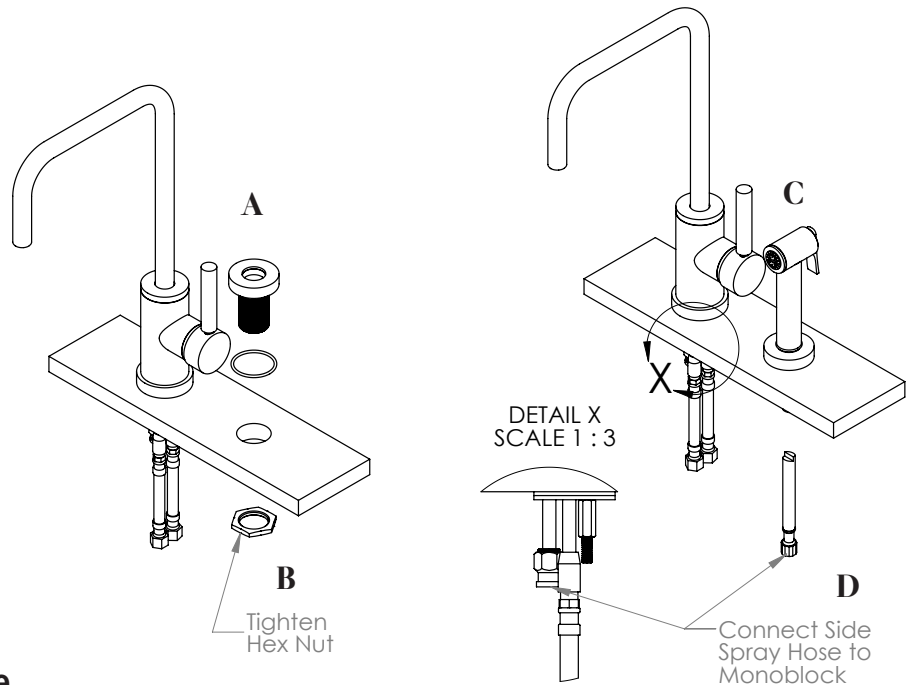
## 3. Install the side spray (7.4 models only)

[A] Insert the side spray base into the hole on the mounting surface.

[B] Tighten the hex nut against the underside of the mounting surface to secure the side spray base.

[C] Insert the hose end of the side spray through the base.

[D] Connect the hand spray hose to the bottom of the monoblock.



**NOTE: Hose length shown is not to scale**