

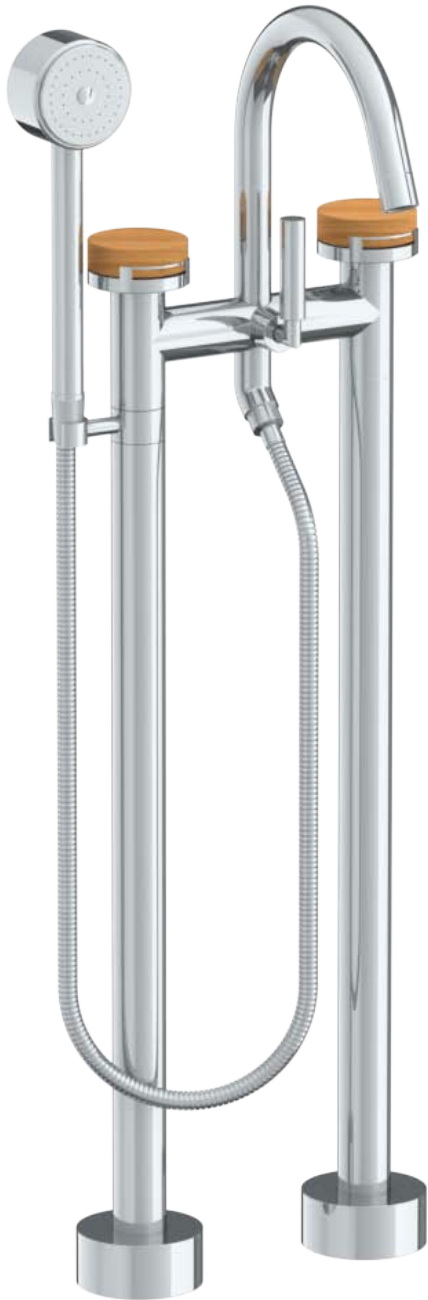
**21-8.3V-E1**

Floor Standing Bath Set with Volume Hand Shower

For use with SS-FL8.3 concealed floor rough

Hand Shower Flow Rate: 1.75 GPM

Note: Some building codes may require a remote pressure balance valve, such as the SS-PB50.



Meets the applicable requirements of ASME A112.18.1-2005/CSA B125.1-05, entitled "Plumbing Supply Fittings"

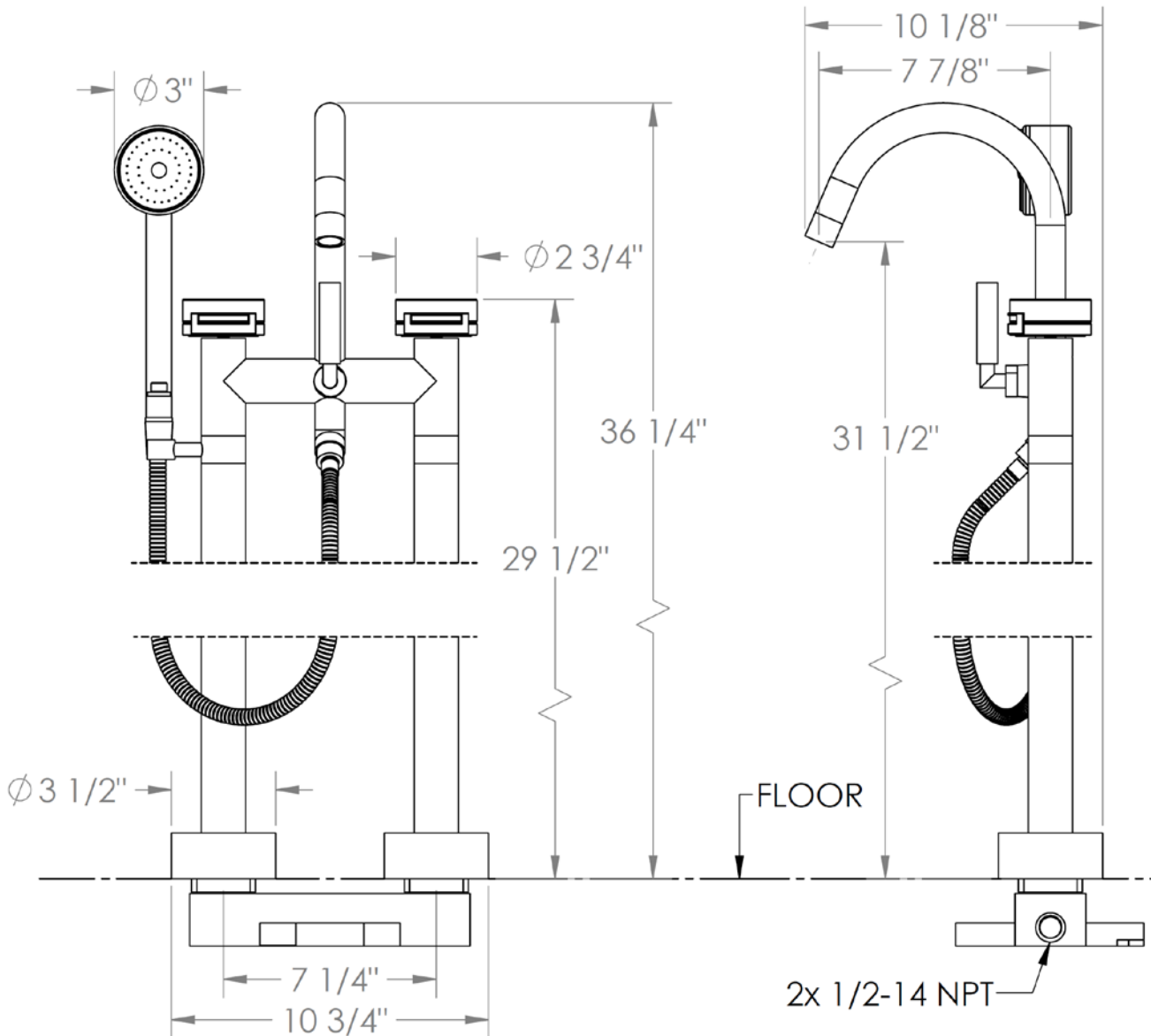
**21-8.3V-E1**

Floor Standing Bath Set with Volume Hand Shower

For use with SS-FL8.3 concealed floor rough

Hand Shower Flow Rate: 1.75 GPM

Note: Some building codes may require a remote pressure balance valve, such as the SS-PB50.



Meets the applicable requirements of ASME A112.18.1-2005/CSA B125.1-05, entitled "Plumbing Supply Fittings"