

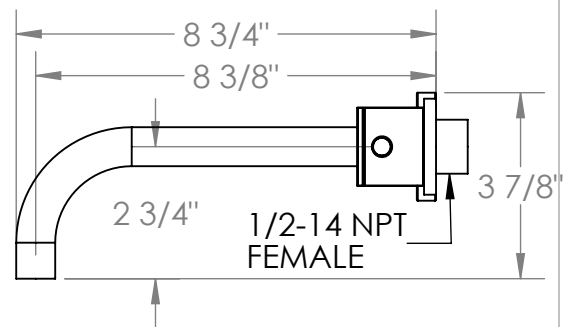
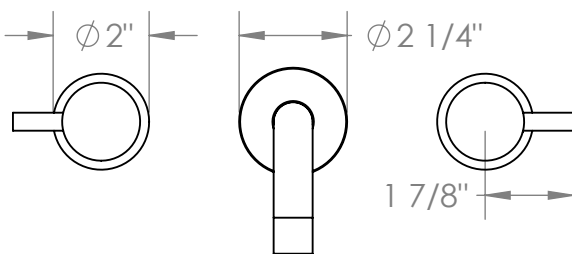
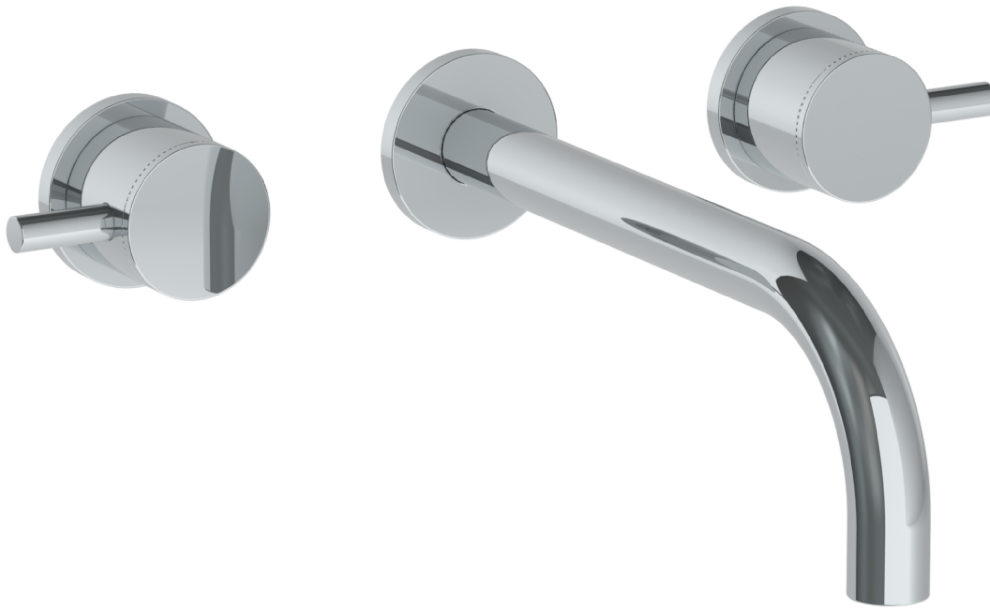
22-2.2M-TIB

Deck Mounted 3 Hole Lavatory Set

Does Not Include Drain

Requires SS-THV2.2 concealed rough

Flow Rate: 1.2 GPM



Meets the applicable requirements of ASME A112.18.1-2005/CSA B125.1-05, entitled "Plumbing Supply Fittings"