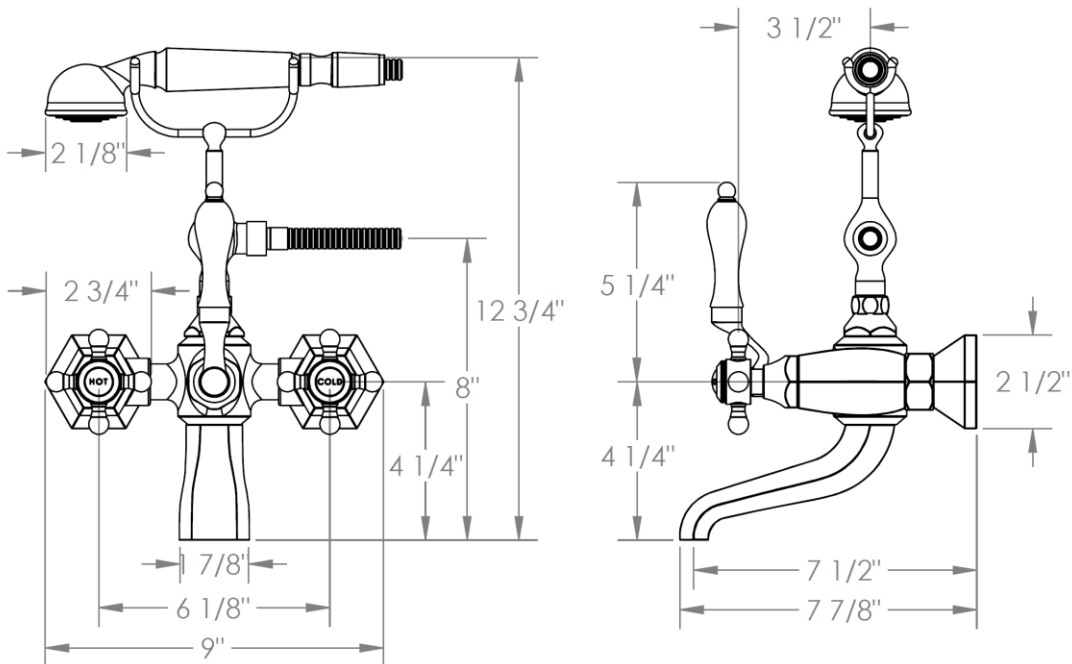


312-5.2-X

Wall Mounted Exposed Bath Set with Hand Shower

Hand Shower Flow Rate: 1.75 GPM

Note: Some building codes may require a remote pressure balancing valve, such as the SS-PB50



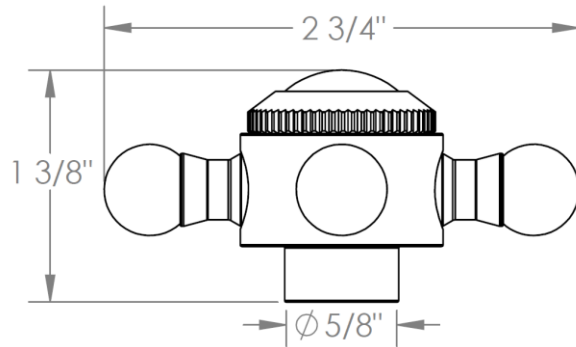
Meets the applicable requirements of ASME A112.18.1-2005/CSA B125.1-05, entitled "Plumbing Supply Fittings"

WATERMARK DESIGNS 8/16/2018

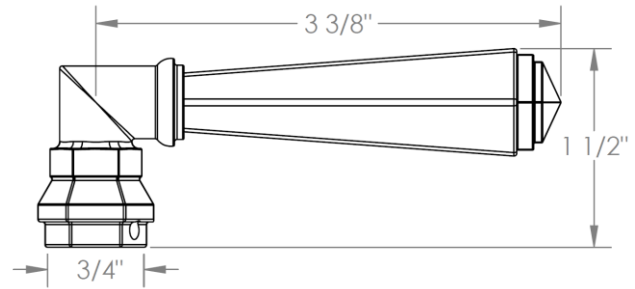
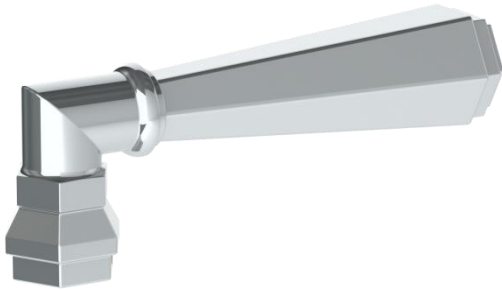
350 Dewitt Ave Brooklyn NY 11207 USA T 718 257 2800 F 718 257 2144 info@watermark-designs.com

Gramercy Handle Options

X – OXFORD & V – WALES



Y – LYONS



Y2 – WILLIAMS

