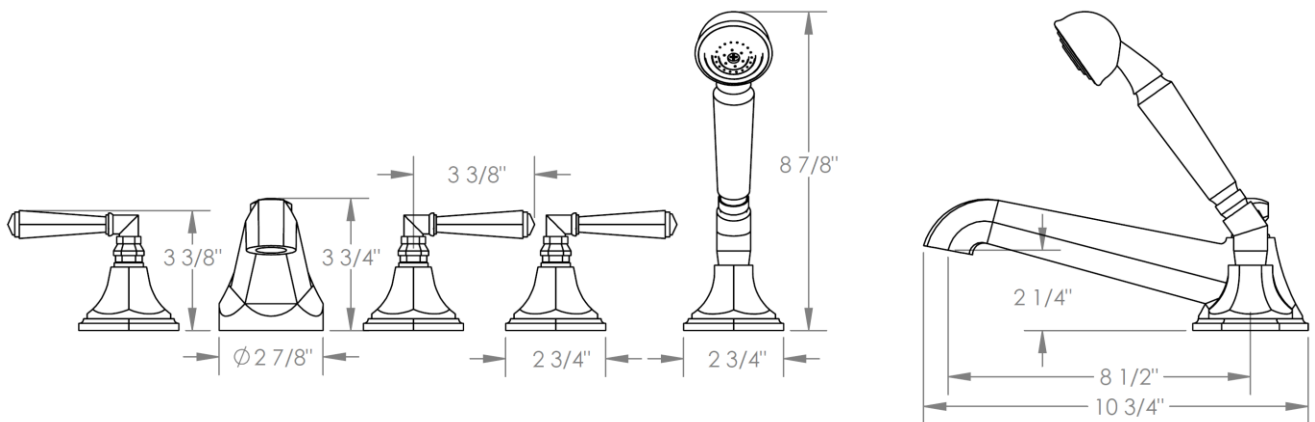


**314-8.1-\_\_**

Deck Mounted 5 Hole Bath Set with Hand Shower

Hand Shower Flow Rate: 1.75 GPM

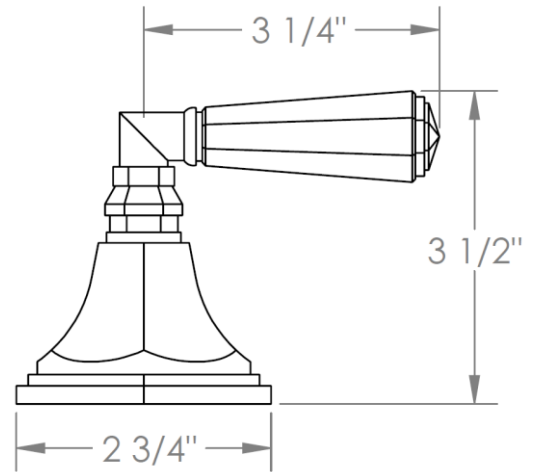
Note: Some building codes may require remote pressure balance valves for anti-scald



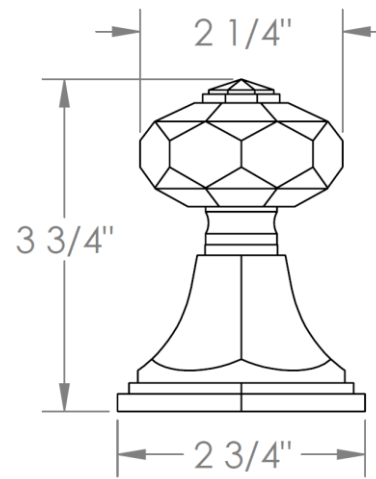
Meets the applicable requirements of ASME A112.18.1-2005/CSA B125.1-05, entitled "Plumbing Supply Fittings"

**HANDLE TRIM OPTIONS**

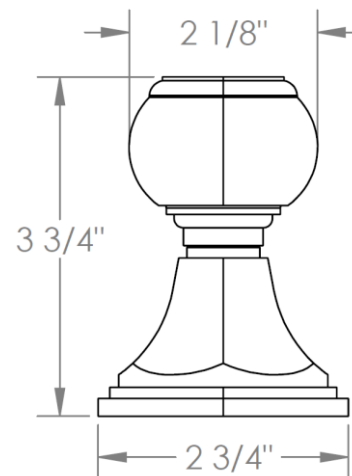
**CRY4 – ROOSEVELT**



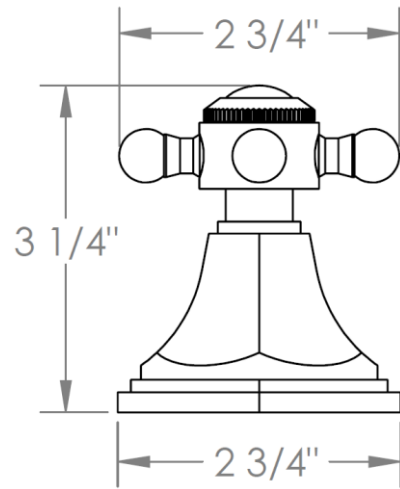
**CRY5 – MARMONT**



**T6 – NEWTON**



XX – SHETFIELD



YY – NEWPORT

